



XPM4

Miniature Pressure Transducer

SPECIFICATIONS

- Ranges 5 to 200 bars [75 psi to 3 000 psi]
- Absolute, sealed and gauge pressure reference
- Titanium device
- Cable or connector output
- Linearity up to $\pm 0.35\%$ F.S.

The **XPM4** is a miniature transducer designed to measure static and dynamic pressure under a wide variety of conditions, including hostile environments. The all-titanium construction and flush diaphragm protect the sensor against most corrosive environments.

The **XPM4** incorporates TE CONNECTIVITY's cutting-edge SanShift™ technology, which virtually eliminates zero shifts caused by installation torque.

The **XPM4**'s sensing element is a fully temperature compensated Wheatstone bridge configuration made with high stability micro-machined silicon strain gauges which optimize performance, especially at low ranges and high frequencies.

All models come with a cable output strengthened by a strain relief spring or with an electrical connector (optional).

On request, Instruction documents can be provided to ease the selection and use of our sensors and provide helpful tips.

FEATURES

- Flush diaphragm design
- M4x0.7 thread
- Low Installation Torque Sensitivity
- Many options available

APPLICATIONS

- Glue dispensing systems
- Explosion test benches
- Onboard equipment monitoring
- Robotics and effectors

STANDARD RANGES

Ranges (FS)		Pressure Reference			Resonant Frequency	Sensitivity "FSO"	Overpressure	Burst Pressure
bar	psi	Gauge	Abso.	Sealed		(non amplified)	(rated pressure)	(rated pressure)
5	75	•	•	•	249 kHz	3 mV/V	2 x FS	5 x FS
10	150	•	•	•	249 kHz	6 mV/V	2 x FS	5 x FS
20	300	•	•	•	299 kHz	10 mV/V	2 x FS	5 x FS
35	500	•	•	•	299 kHz	10 mV/V	2 x FS	5 x FS
50	750	•	•	•	374 kHz	10 mV/V	2 x FS	5 x FS
100	1.5K			•	474 kHz	10 mV/V	2 x FS	5 x FS
200	3K			•	673 kHz	10 mV/V	2 x FS	5 x FS

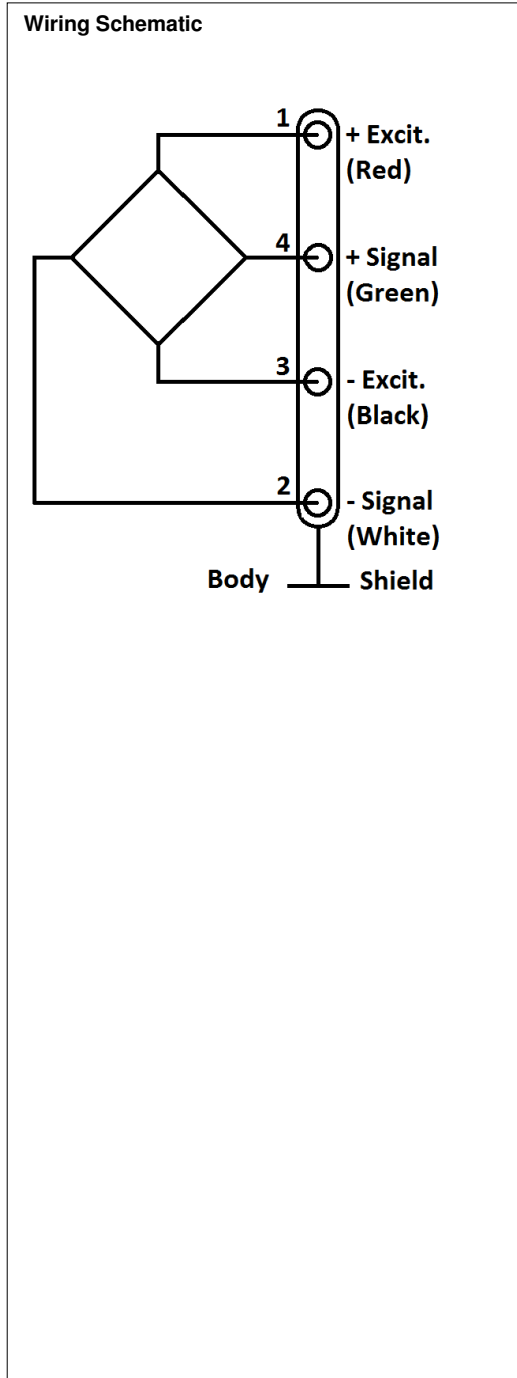
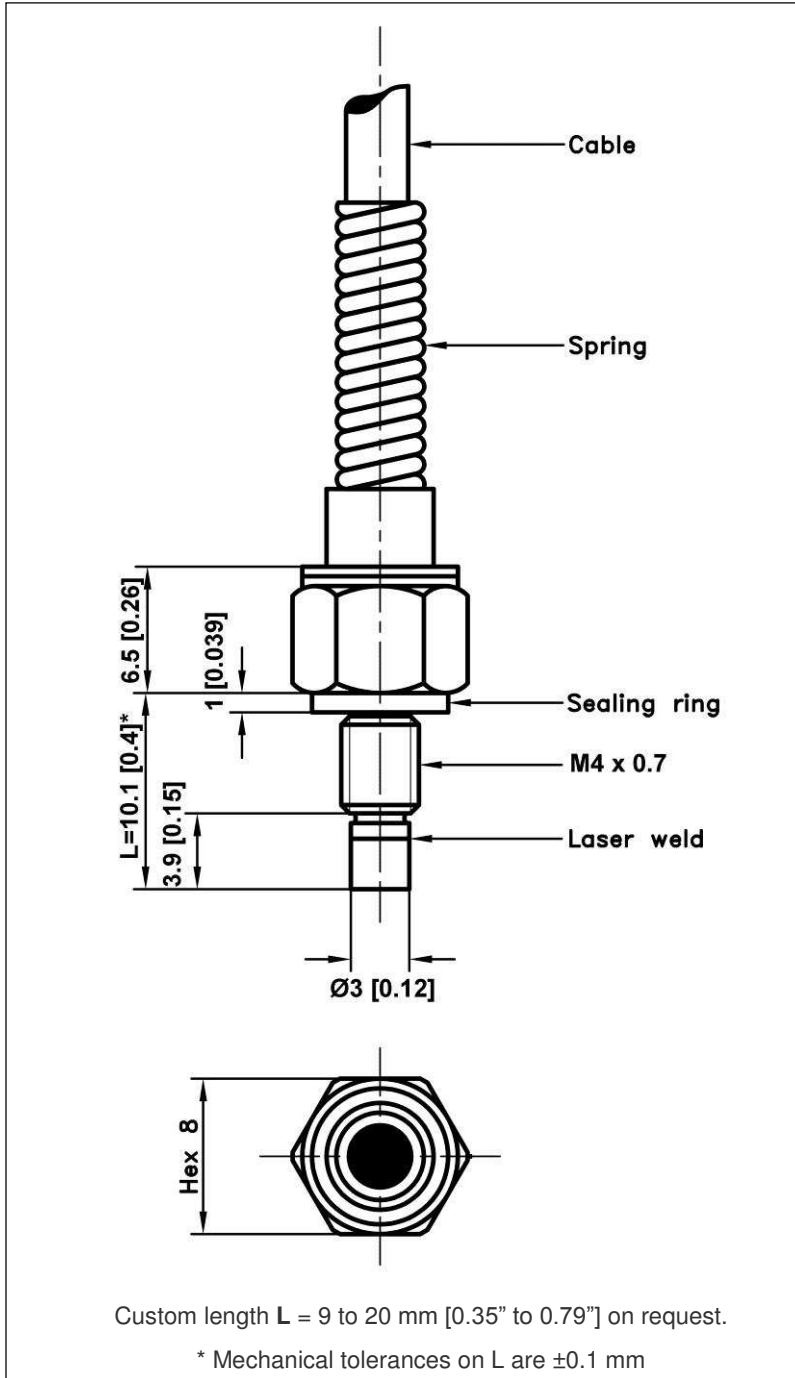
PERFORMANCE SPECIFICATIONS (typical values at temperature 23±3°C)

Parameters	Non amplified	Notes
Power supply	10 Vdc regulated	
Zero Offset	±1 mV/V	
Non Linearity	±0.5%FS ±0.25%FS	FS = 5 bar or 75 psi FS > 5 bar or 75 psi
Hysteresis	±0.25%FS	
Repeatability	±0.2%FS	
Operating Temperature (OTR)	-40 to 120°C (-40 to 250°F)	
Compensated Temperature (CTR)	0 to 60°C (32 to 140°F)	
Thermal Zero Shift in CTR	±2%FS/50°C	
Thermal Sensitivity Shift in CTR	<±2% of reading /50°C	
Input Impedance or consumption	1500 Ω nom.	
Output Impedance	800 Ω nom.	
Ingress Protection	IP50	Standard or SC option
Media – Pressure Port	Liquids and Gases compatible with Titanium	

Insulation under 50Vdc ≥100MΩ

CE certification according to EN 61010-1, EN 50081-1, EN 50082-1.

DIMENSIONS & WIRING SCHEMATIC (IN METRIC AND IMPERIAL)



Dimensions in mm [inch]

Notes:

1. Recommended Tightening Torque: 1.8 N.m [15 Lbf.in] to 3 N.m [25 Lbf.in]
2. Sealing: One FKM sealing ring is supplied with the sensor (operating temperature -30 to 150°C)
3. Electrical connection: Standard = 2m shielded Ø3 mm cable with 4 wires (AWG30) with strain relief spring
 SC option = Integral connector ref. OMNETICS CMR-02D-04P supplied with mating plug CMR-02-B-04S wired with 2m of cable (FMC-COM-4B-L2M)

XPM4

Miniature Pressure Transducer

OPTIONS

HA : Accuracy (CNL&H) $\leq \pm 0.35\%$ F.S. ($\leq \pm 0.5\%$ for 5 bar [75 psi] model)
SI : Sensitivity shift in CTR $\leq 1\%$ of reading / 60 ° C [90 ° F] (except 5 bar [75 psi] model)
ZI : Zero shift in CTR $\leq 1.5\%$ F.S. / 60 ° C [140 ° F] (except 5 bar [75 psi] model)
ET1 : CTR -20 to 100 ° C [-4 to 212 ° F]
ET3 : CTR -40 to 150 ° C [-40 to 302 ° F] OTR=CTR
SC : Connector output, prewired, cable length 2 m [6.6 ft]
P5 : IP65 protection (available only for Absolute and Sealed Gauge versions)
P7 : IP67 protection (available only for Absolute and Sealed Gauge versions)
L00M : special cable length, replace "00" with total length in meters

ORDERING INFO

XPM4	-	20B	G	-	/L5M
Model	-	Pressure Range	Pressure reference	-	Options
XPM4		5B 10B 20B 35B 50B 70B 100B 200B	A : absolute G : gauge S : sealed		/HA /SI /ZI /ET1 /ET3 /SC /P5 /P7 /L00M

The sensor ordering codes uses only bar as units because **XPM4** uses metric threads. Psi value correspondence is noted as information

TE.com/sensorsolutions

Measurement Specialties, Inc., a TE Connectivity company.

Measurement Specialties, TE Connectivity, TE Connectivity (logo) and EVERY CONNECTION COUNTS are trademarks. All other logos, products and/or company names referred to herein might be trademarks of their respective owners.

The information given herein, including drawings, illustrations and schematics which are intended for illustration purposes only, is believed to be reliable. However, TE Connectivity makes no warranties as to its accuracy or completeness and disclaims any liability in connection with its use. TE Connectivity's obligations shall only be as set forth in TE Connectivity's Standard Terms and Conditions of Sale for this product and in no case will TE Connectivity be liable for any incidental, indirect or consequential damages arising out of the sale, resale, use or misuse of the product. Users of TE Connectivity products should make their own evaluation to determine the suitability of each such product for the specific application.

© 2015 TE Connectivity Ltd. family of companies All Rights Reserved.