

This drawing contains design and other information which is the property of SpaceAge Control, Inc. Except for rights expressly granted by contract to the United States Government, this drawing and data disclosed herein or herewith is not to be reproduced, used, or disclosed in whole or in part to anyone without the written permission of SpaceAge Control, Inc.

- 2. FIELD REAM VANE TO ACCOMMODATE TRANSMITTER SHAFT
- 3. ALIGN VANE PARALLEL TO TRANSMITTER SHAFT GUIDE IN THE ELECTRICAL NULL POSITION $\pm 2^\circ$, THEN DRILL $\varnothing.040$ THRU AND REAM FOR TAPER PIN
- 4. CLOCKWISE ROTATION PRODUCES POSITIVE OUTPUT SLOPE

REVISIONS			
REV.	DESCRIPTION	DATE	APPROVED

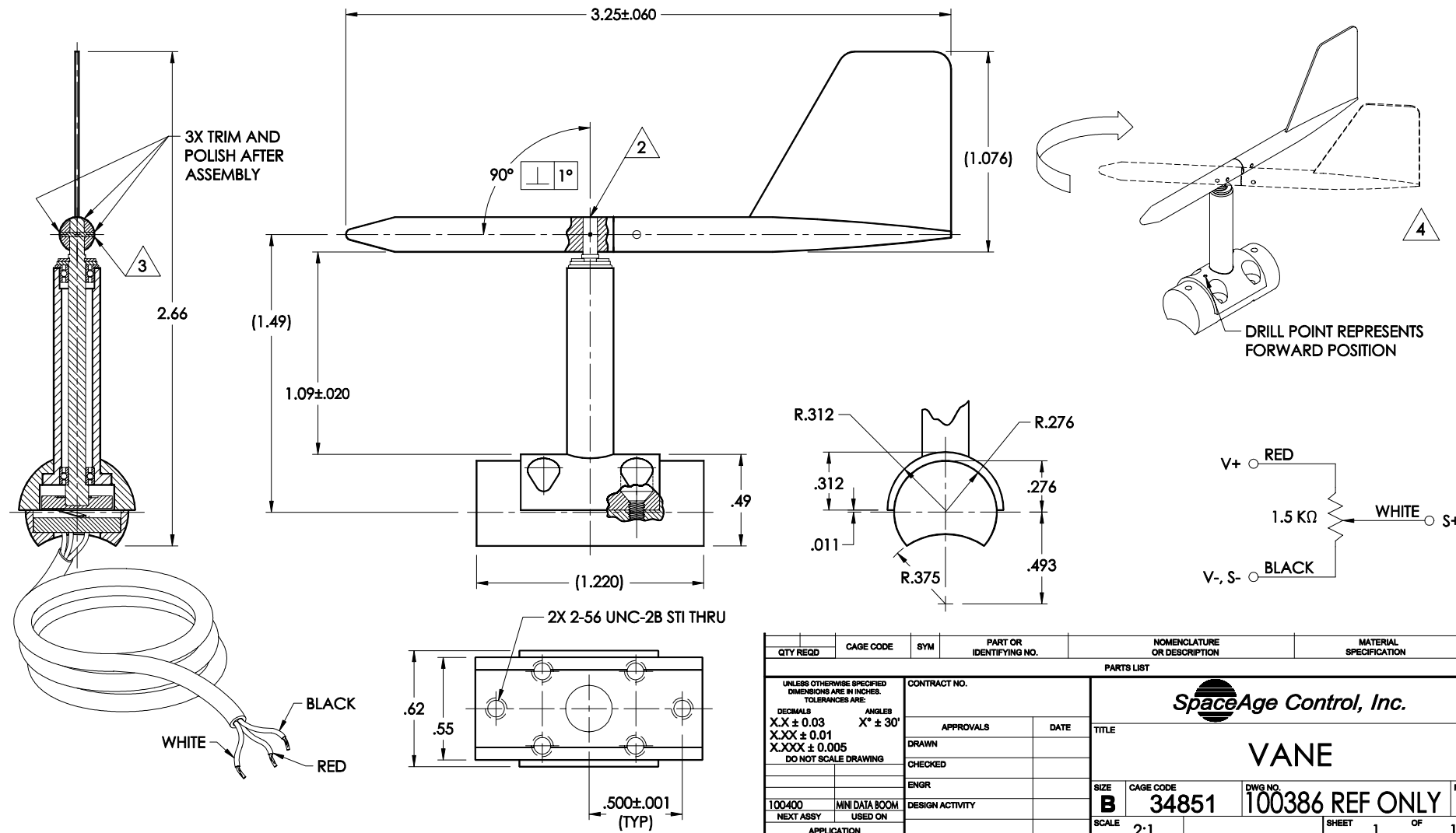
CAD MAINTAINED. CHANGES SHALL BE INCORPORATED BY THE DESIGN ACTIVITY

NOTES: UNLESS OTHERWISE SPECIFIED

- 1. VANE ASSY MUST BE BALANCED AND ROTATE FREELY AFTER ASSY

D
C
B
A

D
C
B
A



QTY REQD	CAGE CODE	SYM	PART OR IDENTIFYING NO.	NOMENCLATURE OR DESCRIPTION	MATERIAL SPECIFICATION	ITEM NO.
PARTS LIST						
UNLESS OTHERWISE SPECIFIED DIMENSIONS ARE IN INCHES. TOLERANCES ARE:			CONTRACT NO.			
DECIMALS	X.X ± 0.03		ANGLES	X° ± 30'		
	X.XXX ± 0.01					
	X.XXXX ± 0.005					
DO NOT SCALE DRAWING			CHECKED			
100400 NEXT ASSY			ENGR			
MINI DATA BOOM USED ON			DESIGN ACTIVITY			
APPLICATION			APPROVALS			
			DATE		TITLE	
					SpaceAge Control, Inc.	
					VANE	
SIZE	CAGE CODE	DWG NO.	REV.			
B	34851	100386 REF ONLY	E			
SCALE	2:1		SHEET		1 OF 1	