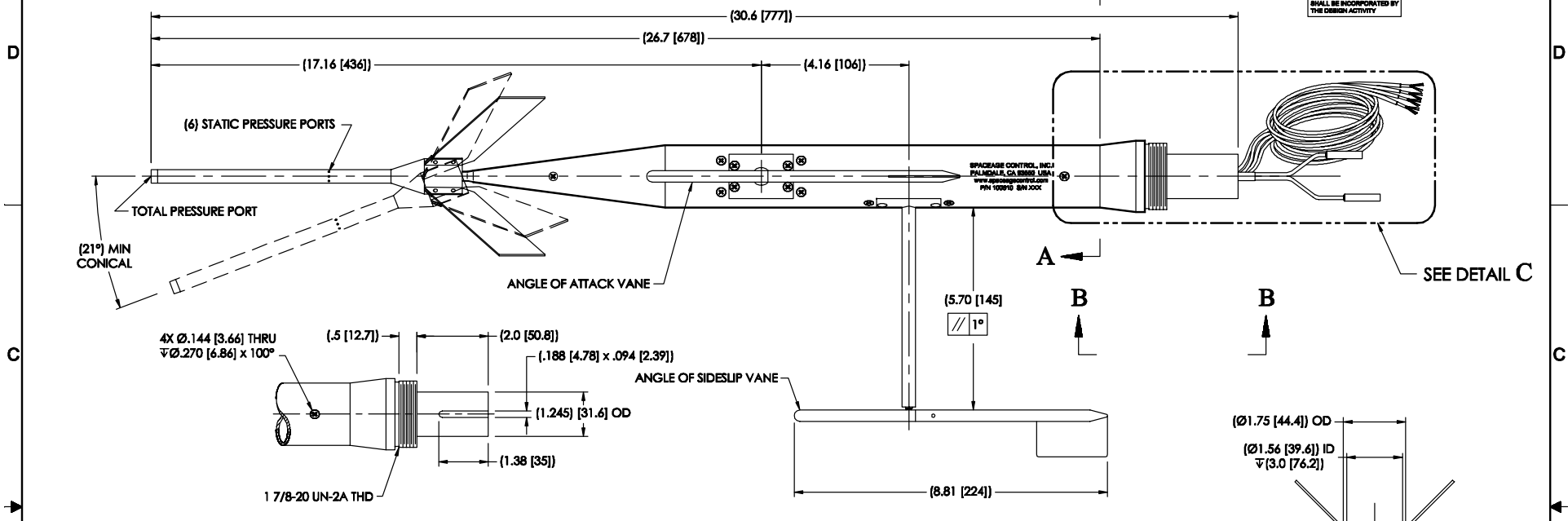


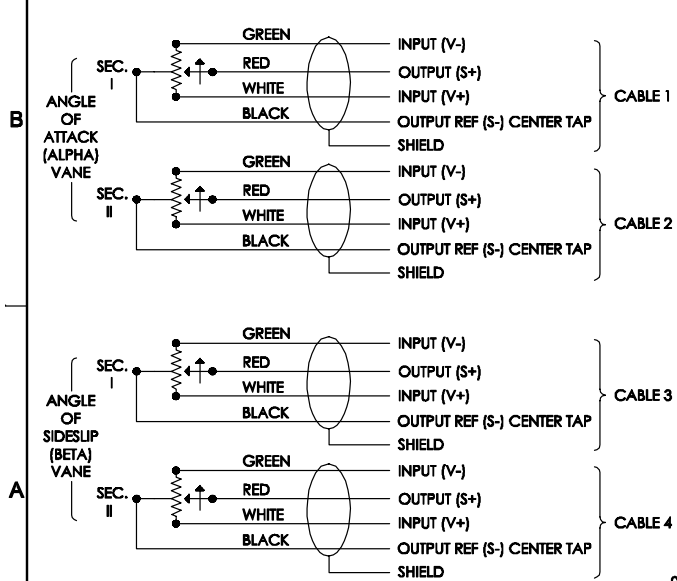
This drawing contains design and other information which is the property of SpaceAge Control, Inc. Except for rights expressly granted by contract to the United States Government, the drawing and data disclosed herein or hereon is not to be reproduced, used, or disclosed in whole or in part to anyone without the written permission of SpaceAge Control, Inc.

REVISIONS			
REV.	DESCRIPTION	DATE	APPROVED
D	PER ECO #0858	2-27-02	S/SIMPSON
E	PER ECO #0937	6-17-02	S/SIMPSON

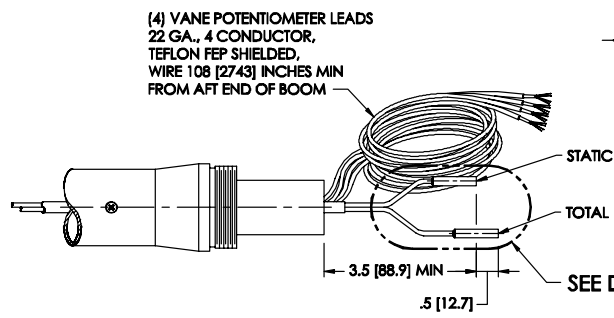
OLD MAINTAINED CHANGES SHALL BE INCORPORATED BY THE DESIGN ACTIVITY



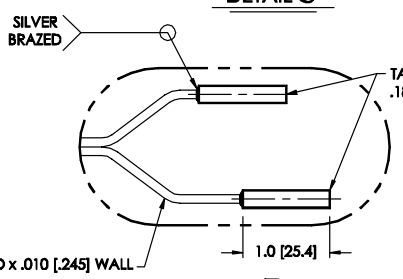
VIEW B-B



ELECTRICAL SCHEMATIC



DETAIL C



DETAIL D

SCALE 1:1

APPROVED MASTER DWG FILE
DO NOT MODIFY WITHOUT PRIOR APPROVAL
DATE: 6-18-02 DWG

1		100510		SWIVEL-HEAD AIR DATA BOOM	
QTY REQD	CAGE CODE	BYM	PART OR IDENTIFYING NO.	NOMENCLATURE OR DESCRIPTION	MATERIAL SPECIFICATION
UNLESS OTHERWISE SPECIFIED DIMENSIONS ARE IN INCHES TOLERANCES ARE:		CONTRACT NO.		PARTS LIST	
X.X ± 0.03		APPROVALS		DATE	
X.XX ± 0.01		S/L.W. COBB		11-12-97	
X.XXX ± 0.005		CHECKED		S/M. MCDANIEL	
DO NOT SCALE DRAWING		S/J. GATES		11-12-97	
DRW	S/J. GATES	11-12-97	REV	CAGE CODE	DWG NO.
DESIGN ACTIVITY			C	34851	100510
APPLICATION			SCALE	1:2	SHEET 1 OF 1

SpaceAge Control, Inc.

SWIVEL-HEAD AIR DATA BOOM