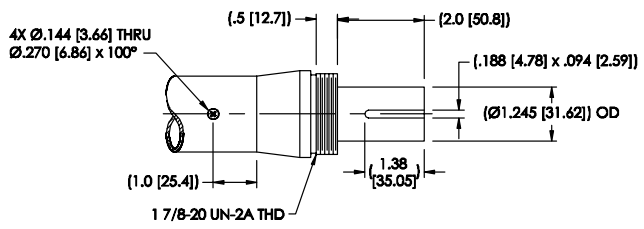
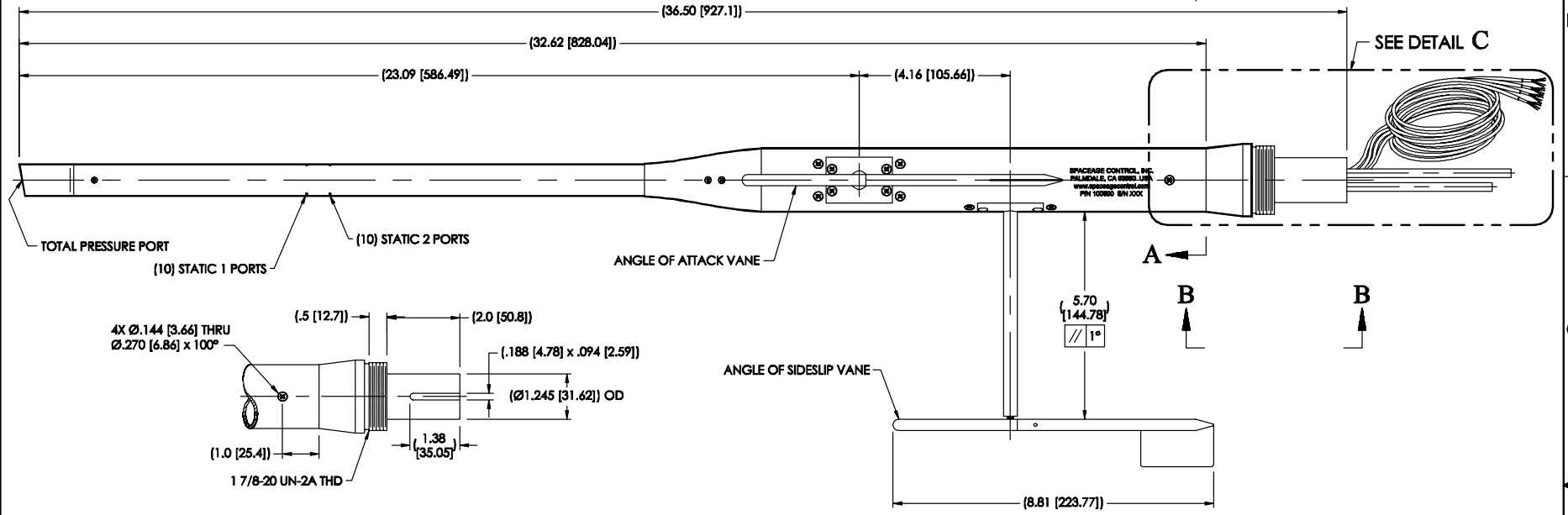


This drawing contains design and other information which is the property of SpaceAge Control, Inc. Except for rights expressly granted by contract to the United States Government, this drawing and data disclosed herein or hereunto is not to be reproduced, used, or disclosed in whole or in part to anyone without the written permission of SpaceAge Control, Inc.

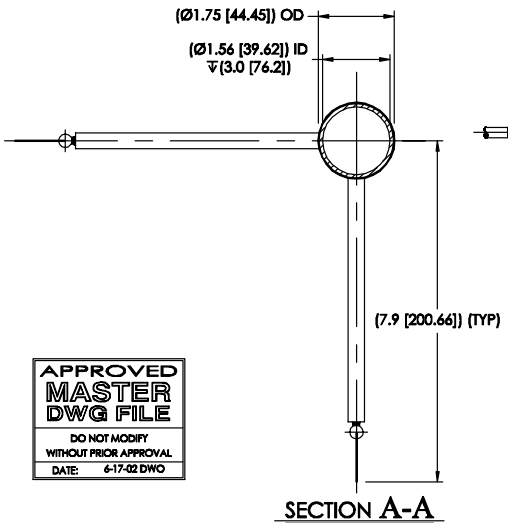
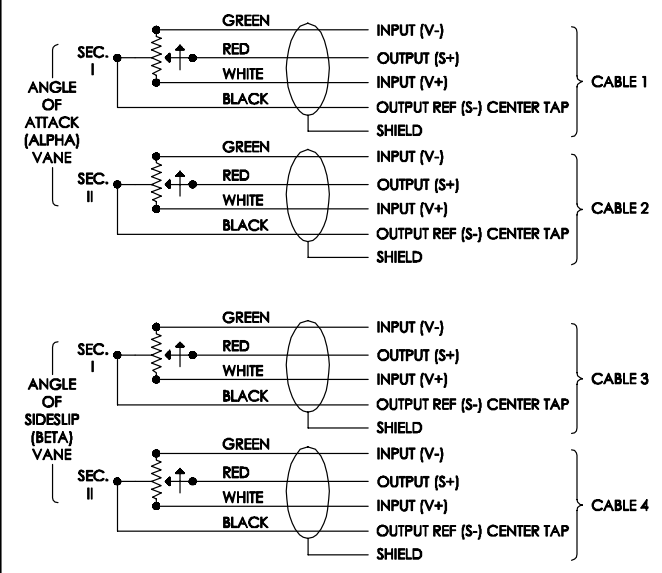
REVISION			
REV.	DESCRIPTION	DATE	APPROVED
B	PER ECO #0923	4-4-02	S/SIMPSON

NOTES: UNLESS OTHERWISE SPECIFIED

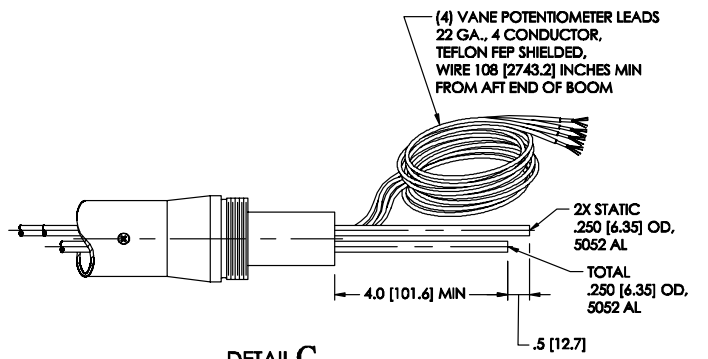
1. ALL DIMENSIONS ARE IN INCHES [MM]



VIEW B-B



DETAIL C



APPROVED MASTER DWG FILE
 DO NOT MODIFY WITHOUT PRIOR APPROVAL
 DATE: 6-17-02 DWG

QTY REQD	CAGE CODE	BYM	PART OR IDENTIFYING NO.	100600	STRAIGHT-NOSE AIR DATA BOOM	MATERIAL SPECIFICATION	ITEM NO.
1							
UNLESS OTHERWISE SPECIFIED DIMENSIONS ARE IN INCHES TOLERANCES ARE:				PARTS LIST			
DIMENSIONAL TOLERANCES:				CONTRACT NO.			
X.X ± 0.03				APPROVALS			
X.XX ± 0.01				DATE			
X.XXX ± 0.008				DRAWN			
DO NOT SCALE DRAWING				S/C/M/AHONEY			
				11/13/00			
				CHECKED			
				S/SIMPSON			
				11/13/00			
				ENGR			
				S/L			
				DESIGN ACTIVITY			
NEXT ABBY				USED ON			
APPLICATION				SCALE			
				1:2			
				CAGE CODE			
				34851			
				DWG NO.			
				100600			
				REV.			
				B			
				SHEET			
				1 OF 1			