

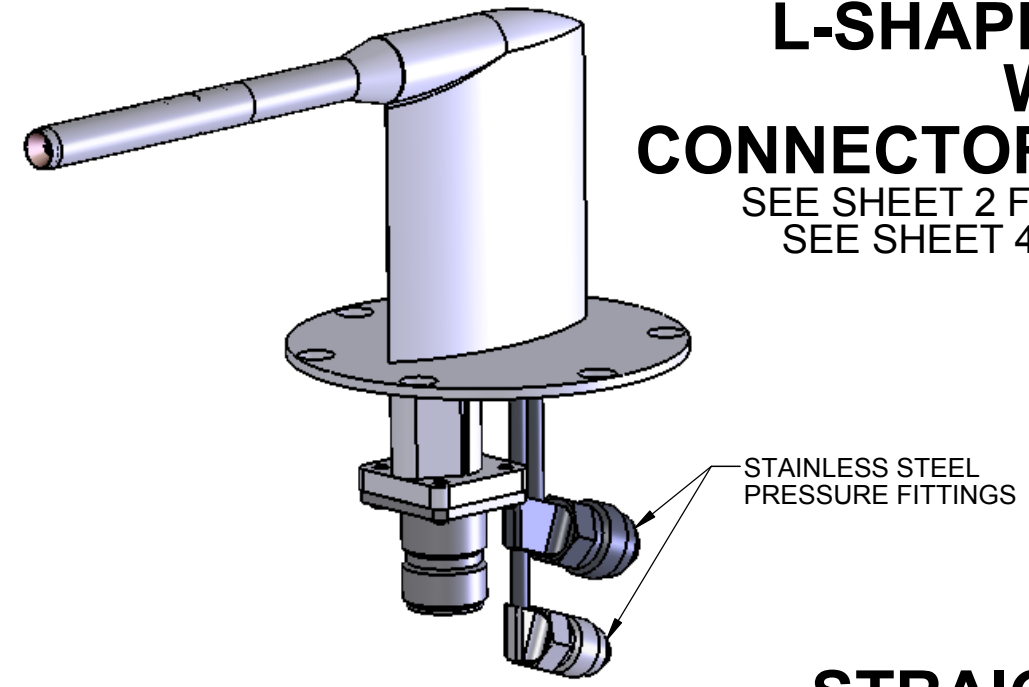
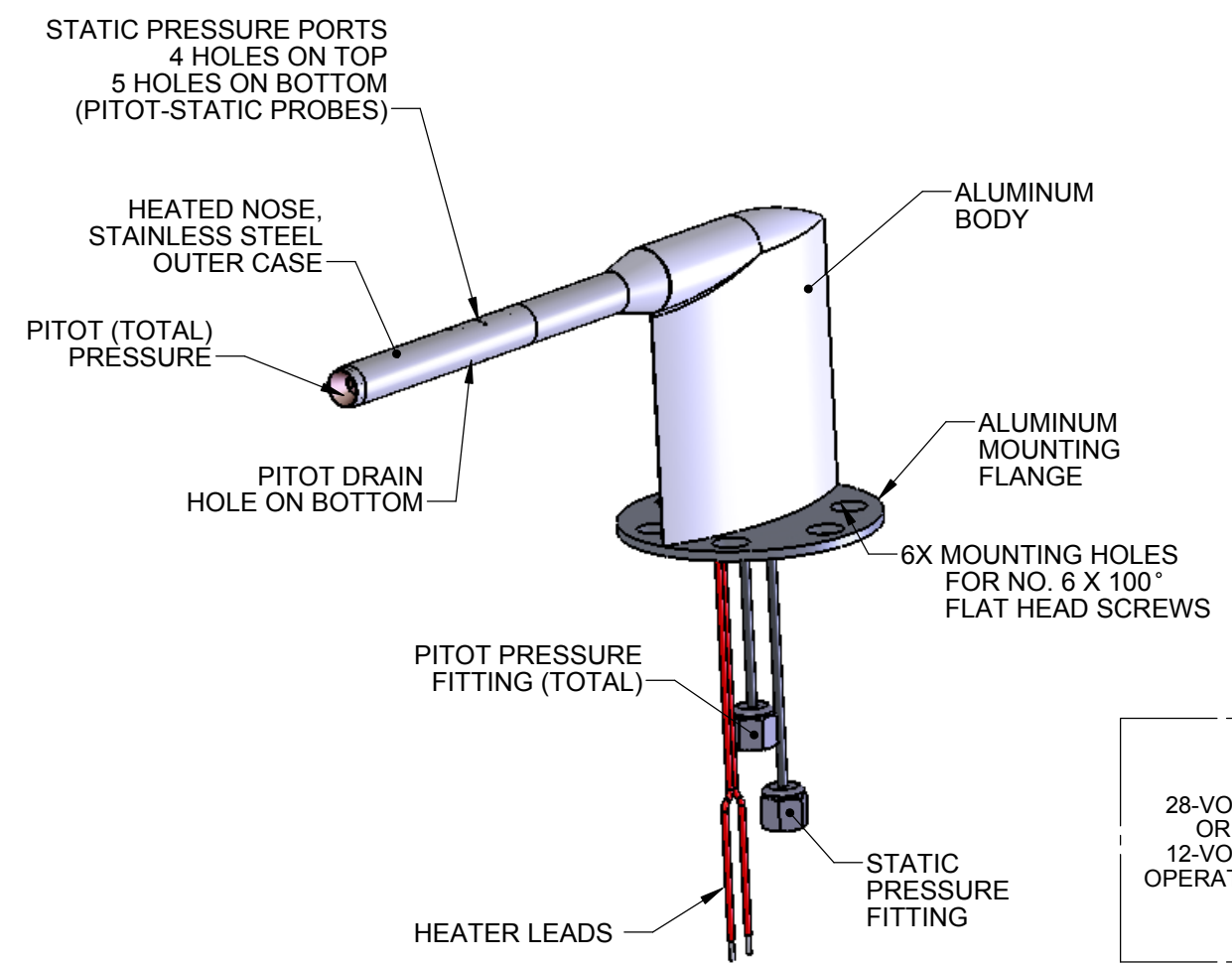
This drawing contains design and other information which is the property of SpaceAge Control, Inc. Except for rights expressly granted by contract to the United States Government, this drawing and data disclosed herein or herewith is not to be reproduced, used, or disclosed in whole or in part to anyone without the written permission of SpaceAge Control, Inc.

L-SHAPED PROBES WITH FLYING LEADS

SEE SHEET 2 FOR CONFIGURATIONS
SEE SHEET 4 FOR DIMENSIONS

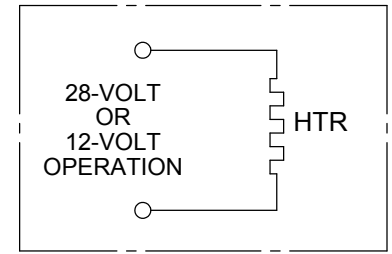
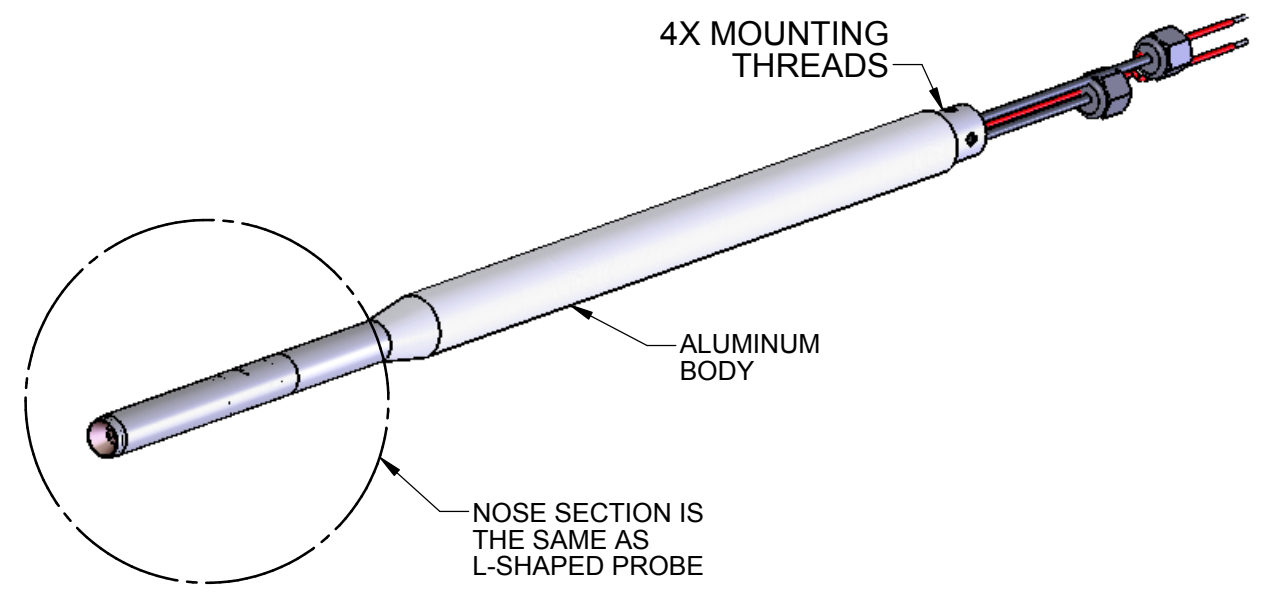
L-SHAPED PROBES WITH CONNECTOR AND FITTINGS

SEE SHEET 2 FOR CONFIGURATION
SEE SHEET 4 FOR DIMENSIONS



STRAIGHT PROBES

SEE SHEET 3 FOR CONFIGURATIONS
SEE SHEET 4 FOR DIMENSIONS



SCHEMATIC

NOTES (UNLESS OTHERWISE SPECIFIED):

- DESCRIPTION: HEATED PITOT AND PITOT-STATIC PROBES, L-SHAPED AND STRAIGHT.
- HEATER CHARACTERISTICS: 28-VOLT OR 12-VOLT OPERATION. HEATER IS SELF-REGULATING - RESISTANCE INCREASES AS TEMPERATURE INCREASES. MAXIMUM POWER IS ACHIEVED IN HIGH AIRFLOW IN ICING CONDITIONS.
- HEATER POWER CONSUMPTION:
MAX CONTINUOUS POWER: 42 - 55 WATTS DEPENDING ON CONFIGURATION (SEE SHEETS 2 AND 3)
POWER IN STILL AIR CONDITIONS IS LESS THAN 60% OF MAX CONTINUOUS POWER
INITIAL POWER SURGE (SHORT DURATION) NOT TO EXCEED 4 TIMES MAX CONTINUOUS POWER
- ANTI-ICING PERFORMANCE PER TSO-C16a (BSI2G-135) EXCEPT CERTAIN L-PROBE MODELS OFFERED WITHOUT A HEATED STRUT WHICH ARE SUITABLE FOR OPERATION IN CONTINUOUS ICING AT LOWER AIRSPEEDS - SEE CONFIGURATIONS AND NOTE 7 ON SHEET 2.
- WEIGHT: SEE SHEETS 2 AND 3, BY CONFIGURATION.
- STANDARD SENSOR CONFIGURATIONS ARE SHOWN. CUSTOM MOUNTING, PNEUMATIC CONNECTIONS, DRAIN HOLE, OR STATIC PATTERN ORIENTATION AVAILABLE ON REQUEST.

SEE SHEET 4 FOR DIMENSIONS

SPA PN 4207-XX

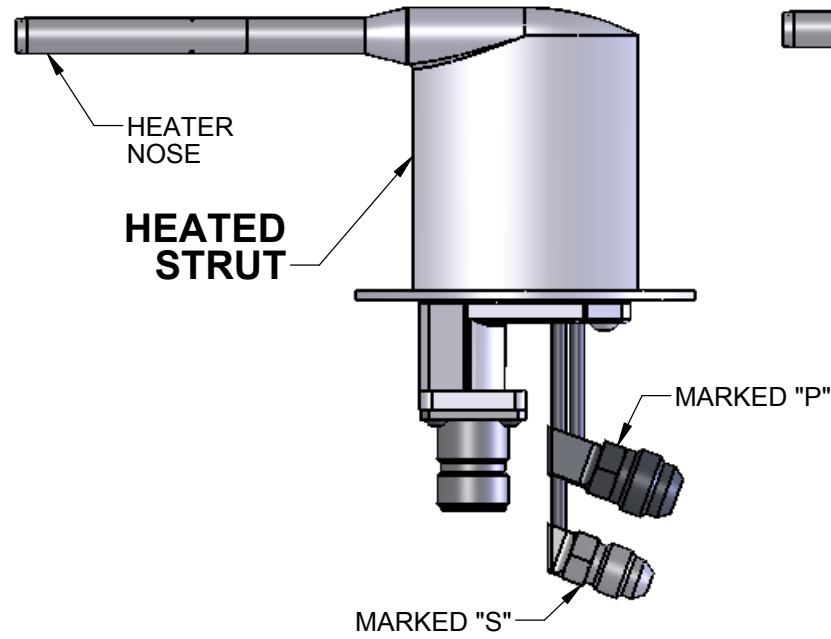
(WHERE "XX" IS DASH NO.)

UNLESS OTHERWISE SPECIFIED DIMENSIONS ARE IN INCHES TOLERANCES ARE: DECIMALS ANGLES		PROJECT 170		SpaceAge Control, Inc.	
DO NOT SCALE DRAWING		DRAWN	B.P.	DATE	11-22-06
MATERIAL SEE NOTES		APPROVALS		HEATED PROBE, MINIATURE, PITOT OR PITOT-STATIC	
FINISH SEE NOTES		CHECKED	DIGITAL - ON FILE		SIZE
CAD GENERATED DRAWING, DO NOT MANUALLY UPDATE		ENG	DIGITAL - ON FILE		CAGE CODE
		SCALE	B	DWG. NO.	4207
		CAD FILE:	SHEET		1 OF 4
			REV.		F

This drawing contains design and other information which is the property of SpaceAge Control, Inc. Except for rights expressly granted by contract to the United States Government, this drawing and data disclosed herein or herewith is not to be reproduced, used, or disclosed in whole or in part to anyone without the written permission of SpaceAge Control, Inc.

L-SHAPED PROBES

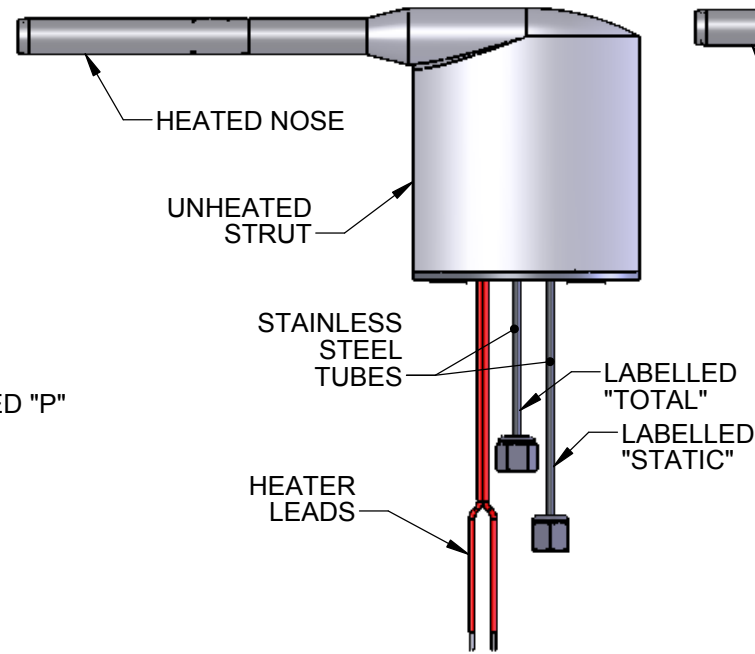
PROBE WITH CONNECTOR AND AN / MS PRESSURE FITTINGS



- RECEPTACLE: D38999/20FA35PN
- STATIC FITTING: AS4395-E6 (MS33656-E6)
- TOTAL FITTING: AS4395-E4 (MS33656-E4)
- HEATED NOSE AND STRUT (PINS 1 AND 2)
- CONTINUOUS POWER: 110 WATTS MAX
- MAX WEIGHT: .40 LB MAX
- ICING: TSO-C16a

PART NO.	PROBE TYPE	HEATER VOLTAGE
4207-13	PITOT-STATIC	28 VOLTS
4207-14	PITOT	28 VOLTS
4207-15	PITOT-STATIC	12 VOLTS
4207-16	PITOT	12 VOLTS

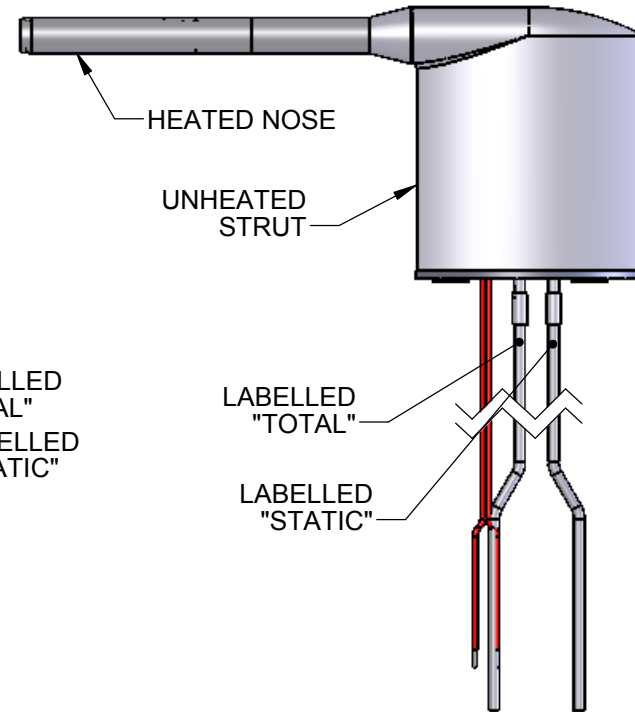
PROBE WITH FLYING LEADS AND SWAGELOK FITTINGS



- FLYING LEADS: 24 - 26 INCH LONG, RED, TEFLON, 22 GAUGE, MIL-W-16878/4 TYPE EE
- STATIC PRESSURE FITTING: SWAGELOK PN SS-102-1
- TOTAL PRESSURE FITTING: SWAGELOK PN SS-102-1
- HEATED NOSE, UNHEATED STRUT
- CONTINUOUS POWER: 45 WATTS MAX
- WEIGHT: .24 LB MAX
- ICING: SEE NOTE 7 BELOW

PART NO.	PROBE TYPE	HEATER VOLTAGE
4207-01	PITOT-STATIC	28 VOLTS
4207-07	PITOT	28 VOLTS
4207-17	PITOT-STATIC	12 VOLTS
4207-18	PITOT	12 VOLTS

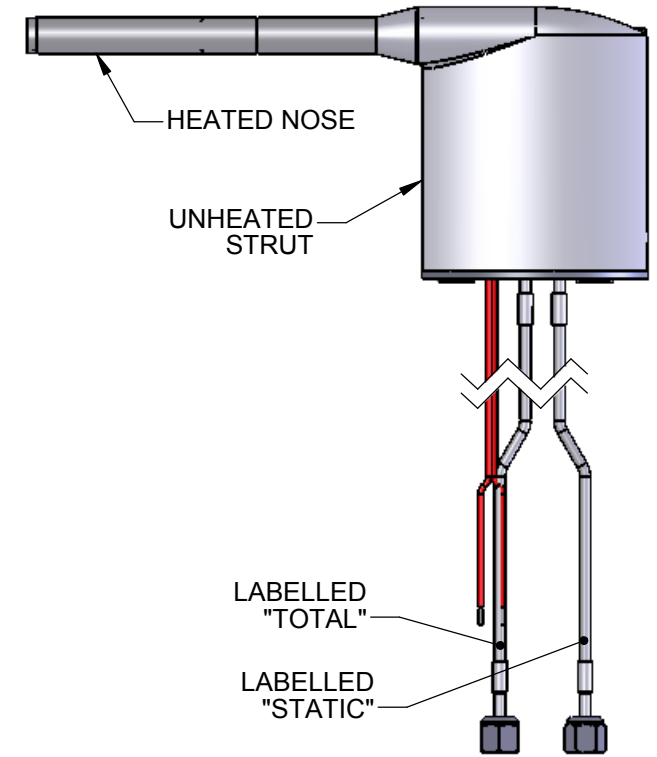
PROBE WITH FLYING LEADS AND FLEX NYLON LINES



- FLYING LEADS: 24 - 26 INCH LONG, RED TEFLON, 22 GAUGE, MIL-W-16878/4 TYPE EE
- PRESSURE LINES: NYLON FLEX TUBE, 96 INCH LONG (MIN), .062 I.D. X .089 O.D.
- HEATED NOSE, UNHEATED STRUT
- CONTINUOUS POWER: 45 WATTS MAX
- WEIGHT: .24 LB MAX
- ICING: SEE NOTE 7 BELOW

PART NO.	PROBE TYPE	HEATER VOLTAGE
4207-03	PITOT-STATIC	28 VOLTS
4207-09	PITOT	28 VOLTS
4207-19	PITOT-STATIC	12 VOLTS
4207-20	PITOT	12 VOLTS

PROBE WITH FLYING LEADS, FLEX NYLON LINES, AND SWAGELOK FITTINGS



- FLYING LEADS: 24 - 26 INCH LONG, RED, TEFLON, 22 GAUGE, MIL-W-16878/4 TYPE EE
- PRESSURE LINES: NYLON FLEX TUBE, 96 INCH LONG (MIN), .062 I.D. X .089 O.D.
- STATIC PRESSURE FITTING: SWAGELOK PN SS-102-1
- TOTAL PRESSURE FITTING: SWAGELOK PN SS-102-1
- HEATED NOSE, UNHEATED STRUT
- CONTINUOUS POWER: 45 WATTS MAX
- WEIGHT: .25 LB MAX
- ICING: SEE NOTE 7 BELOW

PART NO.	PROBE TYPE	HEATER VOLTAGE
4207-04	PITOT-STATIC	28 VOLTS
4207-10	PITOT	28 VOLTS
4207-21	PITOT-STATIC	12 VOLTS
4207-22	PITOT	12 VOLTS

NOTE 7: FOR COMPLIANCE TO ICING REQUIREMENTS OF TSO-C16a, L-PROBES WITH UNHEATED STRUTS HAVE AIRSPEED LIMITS TO PREVENT ICE BUILDUP ON THE STRUT FROM AFFECTING PRESSURE MEASUREMENTS. LIMITS ARE AS FOLLOWS:

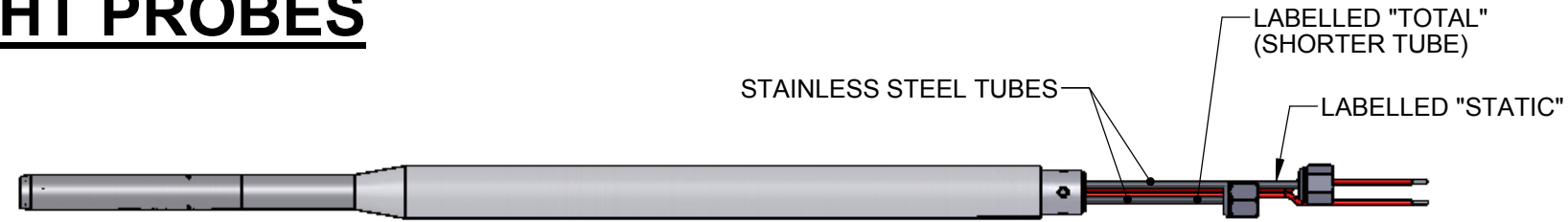
PITOT-STATIC PROBES: 200 KNOTS MAXIMUM
PITOT PROBES: 250 KNOTS

HIGHER AIRSPEEDS ARE PERMISSIBLE IN REDUCED LIQUID WATER CONTENT CONDITIONS OR REDUCED TIME / DURATION IN SEVERE CONDITIONS.

This drawing contains design and other information which is the property of SpaceAge Control, Inc. Except for rights expressly granted by contract to the United States Government, this drawing and data disclosed herein or herewith is not to be reproduced, used, or disclosed in whole or in part to anyone without the written permission of SpaceAge Control, Inc.

STRAIGHT PROBES

PROBE WITH FLYING LEADS AND SWAGELOK FITTINGS



- FLYING LEADS: 24 - 26 INCH LONG, RED, TEFLON, 22 GAUGE, MIL-W-16878/4 TYPE EE
- STATIC PRESSURE FITTING: SWAGELOK PN SS-102-1
- TOTAL PRESSURE FITTING: SWAGELOK PN SS-102-1
- HEATED NOSE, UNHEATED STRUT
- CONTINUOUS POWER: 45 WATTS MAX
- WEIGHT: .20 LB MAX
- ICING: TSO-C16a

PART NO.	PROBE TYPE	HEATER VOLTAGE
4207-02	PITOT-STATIC	28 VOLTS
4207-08	PITOT	28 VOLTS
4207-23	PITOT-STATIC	12 VOLTS
4207-24	PITOT	12 VOLTS

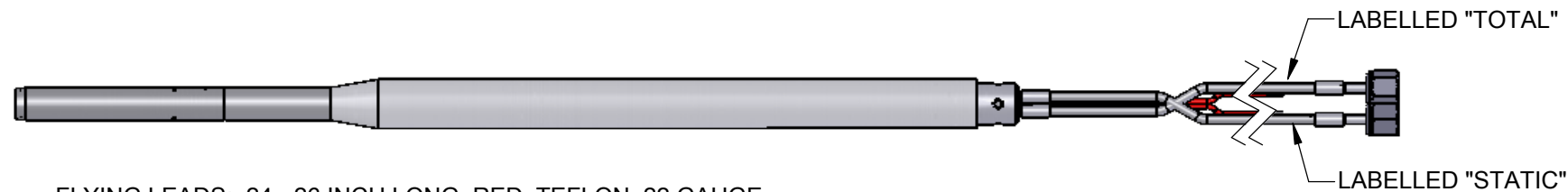
PROBE WITH FLYING LEADS AND FLEX NYLON LINES



- FLYING LEADS: 24 - 26 INCH LONG, RED, TEFLON, 22 GAUGE, MIL-W-16878/4 TYPE EE
- PRESSURE LINES: NYLON FLEX TUBE, 96 INCH LONG (MIN), .062 I.D. X .089 O.D.
- HEATED NOSE
- CONTINUOUS POWER: 42 WATTS MAX
- WEIGHT: .20 LB MAX
- ICING: TSO-C16a

PART NO.	PROBE TYPE	HEATER VOLTAGE
4207-05	PITOT-STATIC	28 VOLTS
4207-11	PITOT	28 VOLTS
4207-25	PITOT-STATIC	12 VOLTS
4207-26	PITOT	12 VOLTS

PROBE WITH FLYING LEADS, FLEX NYLON LINES, AND SWAGELOK FITTINGS



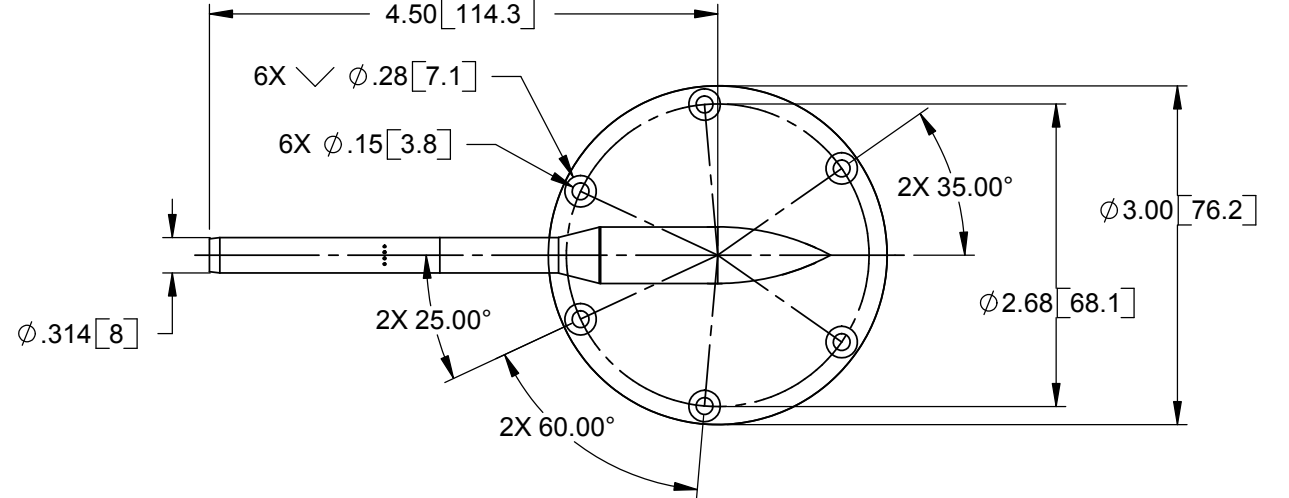
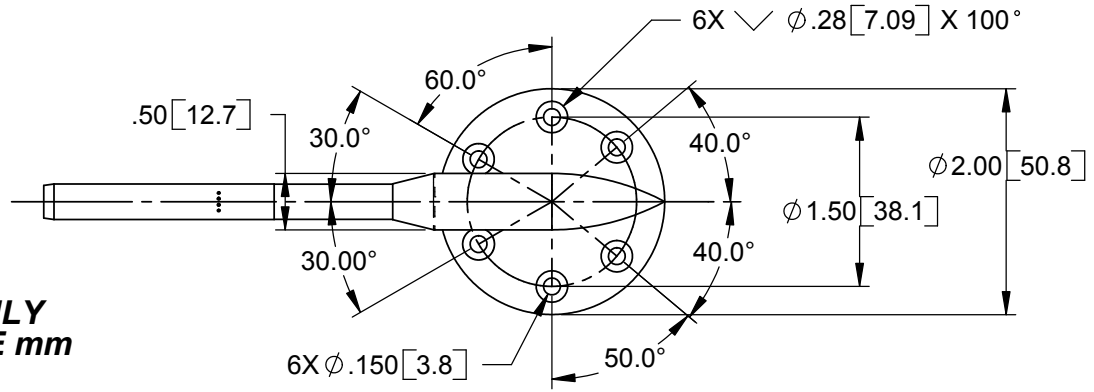
- FLYING LEADS: 24 - 26 INCH LONG, RED, TEFLON, 22 GAUGE, MIL-W-16878/4 TYPE EE
- PRESSURE LINES: NYLON FLEX TUBE, 96 INCH LONG (MIN), .062 I.D. X .089 O.D.
- STATIC PRESSURE FITTING: SWAGELOK PN SS-102-1
- TOTAL PRESSURE FITTING: SWAGELOK PN SS-102-1
- HEATED NOSE, UNHEATED STRUT
- CONTINUOUS POWER: 45 WATTS MAX
- WEIGHT: .21 LB MAX
- ICING: TSO-C16a

PART NO.	PROBE TYPE	HEATER VOLTAGE
4207-06	PITOT-STATIC	28 VOLTS
4207-12	PITOT	28 VOLTS
4207-27	PITOT-STATIC	12 VOLTS
4207-28	PITOT	12 VOLTS

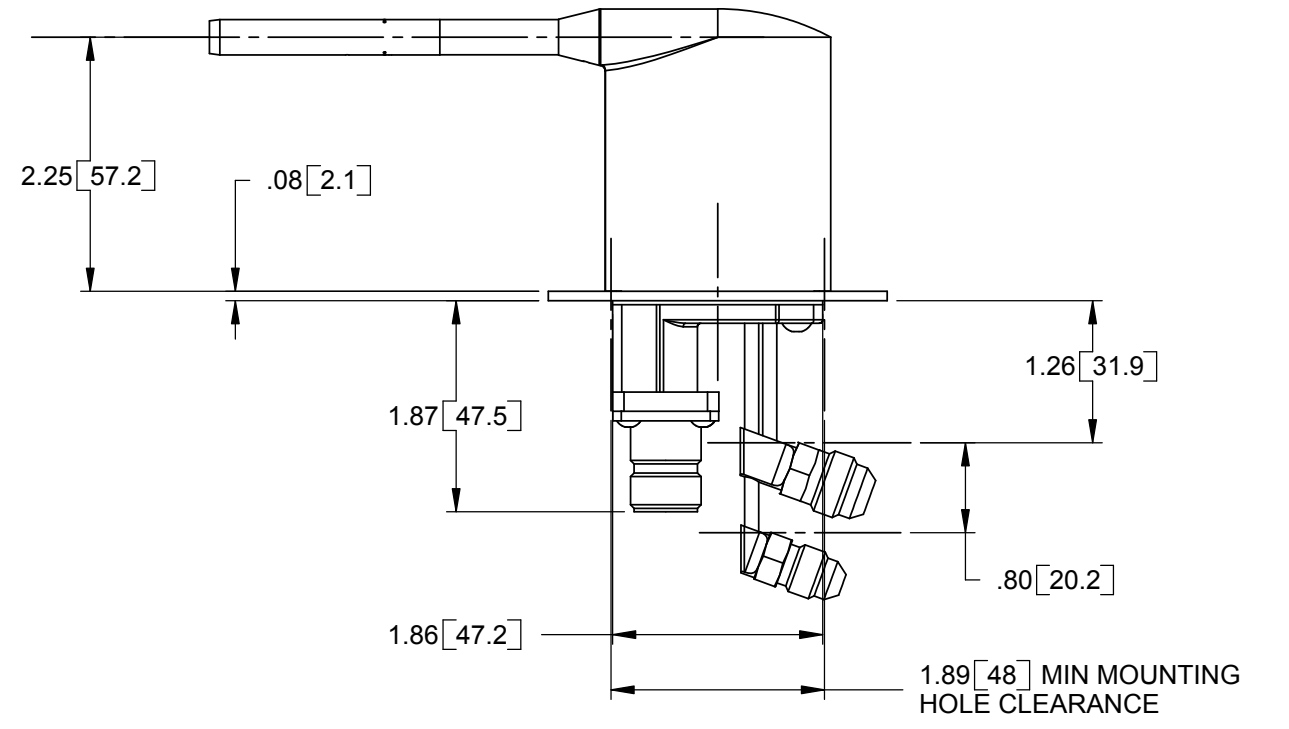
This drawing contains design and other information which is the property of SpaceAge Control, Inc. Except for rights expressly granted by contract to the United States Government, this drawing and data disclosed herein or herewith is not to be reproduced, used, or disclosed in whole or in part to anyone without the written permission of SpaceAge Control, Inc.

ENVELOPE DIMENSIONS

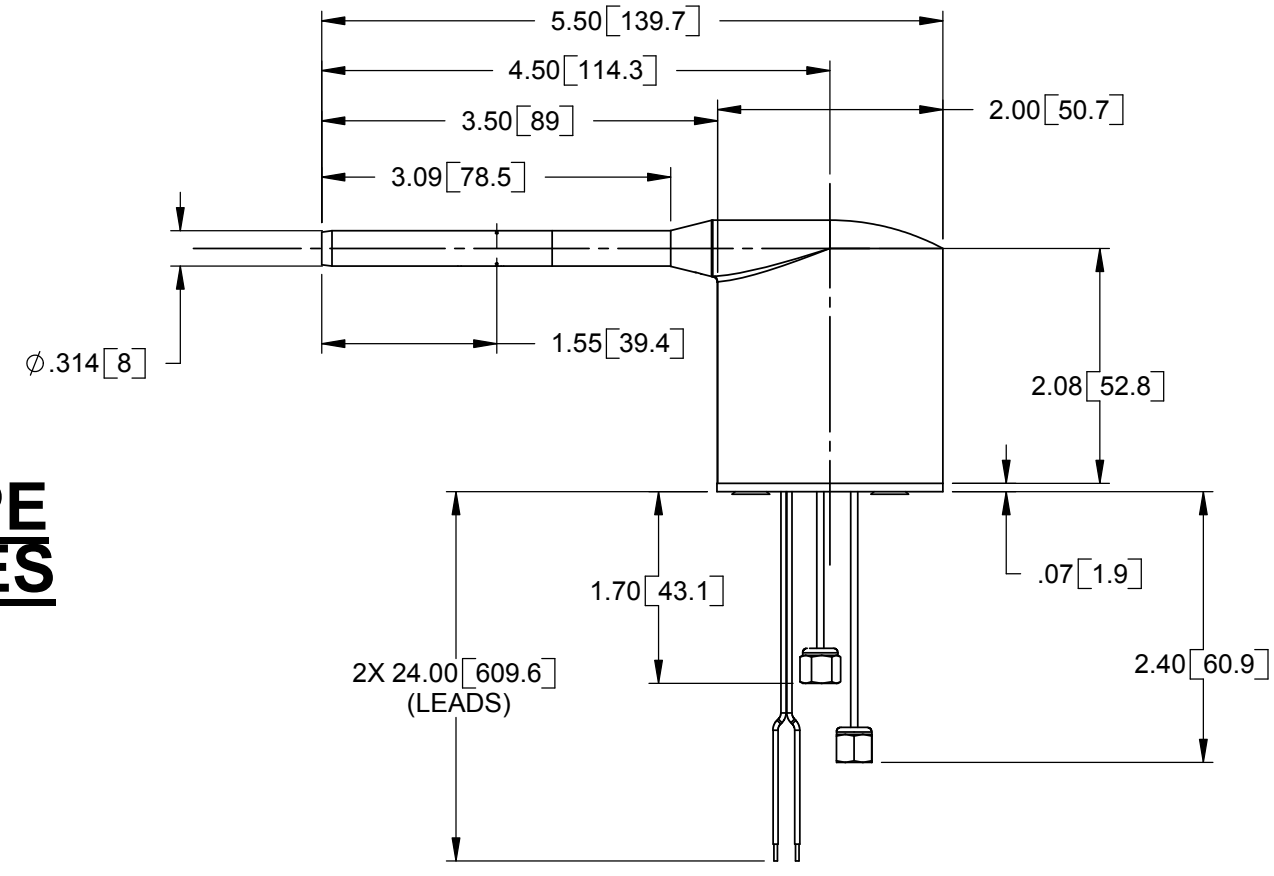
DIMENSIONS ARE REFERENCE ONLY
DIMENSIONS IN BRACKETS [] ARE mm



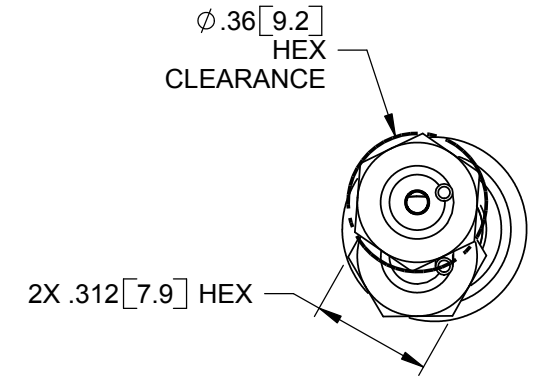
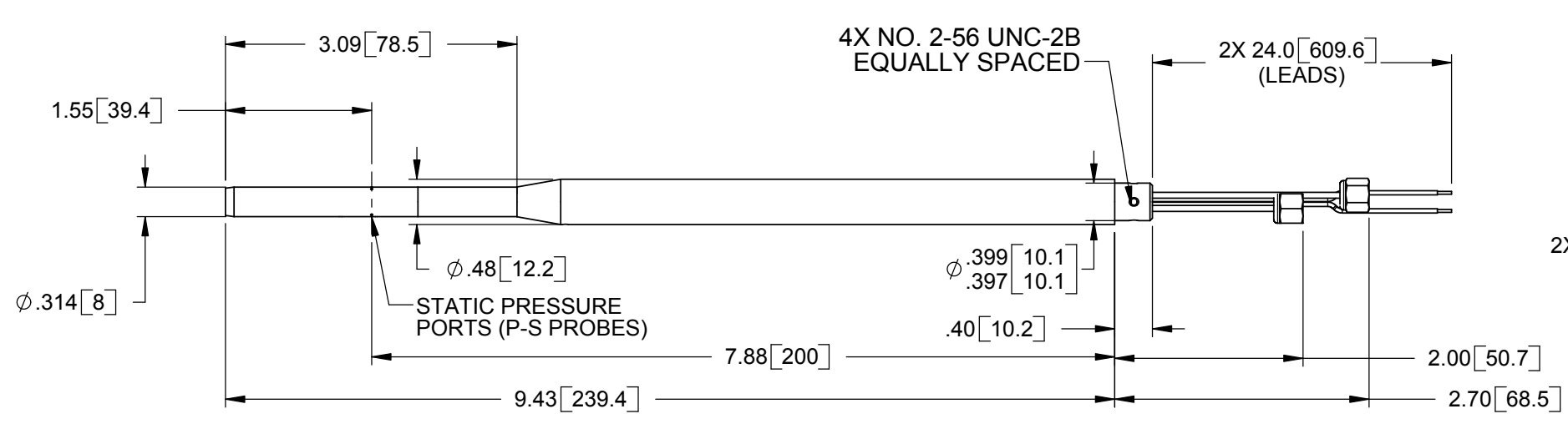
MISSING DIMENSIONS - SEE ADJACENT DRAWING



L-SHAPE PROBES



STRAIGHT PROBES



SIZE	CAGE CODE	DWG. NO.	REV.
B	34851	4207	F
SCALE	CAD FILE:	SHEET	OF
		4	4