

Model 59G

Submersible Level Transmitter



A multipurpose submersible level transmitter

- The Viatran Model 59G is a submersible transmitter specifically designed for continuous level measurement in water and clean or waste fluids.
- Available in ranges from 0-40 inches W.C. to 0-835 feet W.C.
- Polyurethane (PUR) cable is standard while Polyvinyl Chloride (PVC) & Fluorinated Ethylene-Propylene (FEP) cables are also offered.
- Liquid Level & Depth, Water & Grey Water, Lift Stations, Reservoirs & Dams, Rivers, Holding Ponds, Wells, In-ground / Above Ground Tanks, and Irrigation Systems.



Performance	Pressure Ranges From0-40 Inches Water Column up to 0-835 Feet Water Column
	Accuracy ≤ +/- 0.35% FSO for ranges ≥ 15 Ft. W.C. [Combined Non-Linearity (BFSL), Hysteresis & Repeatability] ≤ +/- 0.50% FSO for ranges < 15 Ft. W.C. ≤ +/- 0.10% FSO Optional
	Compensated Temperature Range32° to 158° F (0 to 70° C)
	Operating Temperature Range14° to 158° F (-10 to 70° C) Note: Medium must not freeze near sensor
	Storage Temperature Range-13° to 158° F (-25 to 70° C)
	Long Term Stability (%FSO) ≤ +/- 0.1% FSO / year at reference conditions
	Thermal Effect on Zero ≤ +/- 0.8% FSO per 100° F
	Thermal Effect on Span ≤ +/- 0.8% FSO per 100° F
Electrical	Output Signal4-20 mA
	Supply Voltage8-32 Vdc
	Power Supply Regulation< +/- .005% FSO per volt
	Circuit ProtectionReverse polarity protected, CE marked
	RFI/EMICE EMC compliant as per IEC EN 61326
	Voltage Spike ProtectionWithstand 1000 volt spike per EN 61000
	Response Time≤10mSec
Mechanical	Pressure ConnectionProtective POM cap
	Ingress ProtectionIP 68
	Overpressure Limit4x Minimum (> 535 Ft. range = 3.2x)
	Burst Pressure6x Minimum (> 535 Ft. range = 4.8x)
	Weight0.5 lbs. (without cable)
Materials of Construction	Housing316L stainless steel
	Sensor Diaphragm316L stainless steel
	O-ring SealsFKM
	Protective CapPOM (Polyoxymethylene)



Model 59G Submersible Level Transmitter

How to Order

MODEL 59G	UNITS OF PRESSURE (1 digit)	PRESSURE RANGE (4 digits)	SEAL (2 digits)	CABLE FORMAT (2 digits)	ACCURACY (1 digit)	CABLE LENGTH (3 digits)	OPTIONS (2 digits)
--------------	--------------------------------	------------------------------	--------------------	----------------------------	-----------------------	----------------------------	-----------------------

Units of Pressure

- F Feet of Water Column
- I Inches of Water Column

Pressure Range

Any Range from 0-40 Inches Water Column up to 0-835 Feet Water Column can be specified at no additional cost. (Ranges must be in Inches WC or Feet WC)

*Consult factory for range code

**Please advise if specific gravity is other than 1

Example of Four Digit Codes:

Range	Four Digit Codes for Range
5	= 5 0 0 0 Insert Range Code 5000
10	= 1 0 0 1 Insert Range Code 1001
15	= 1 5 0 1 Insert Range Code 1501
50	= 5 0 0 1 Insert Range Code 5001
100	= 1 0 0 2 Insert Range Code 1002
250	= 2 5 0 2 Insert Range Code 2502
835	= 8 3 5 2 Insert Range Code 8352

Seals

- GK Fluoroelastomer (FKM)

Cable Format

- PC Polyvinyl Chloride (PVC)
- TL Polyurethane Cable (PUR)
- PA Fluorinated Ethylene-Propylene (FEP)
(Lengths of 3, 5, 10, 15, & 20 Meters are stocked for quick delivery)

Accuracy

- 3 Ranges < 15 Ft. = +/- 0.50% FSO (BFSL)
- 5 Ranges ≥ 15 Ft. = +/- 0.35% FSO (BFSL)
- 1 ≤ +/- 0.1% FSO Optional (All Ranges) Please Note: Total length of Transmitter increases by 1.375"

Cable Length

- XXX Listed in Whole Meters Only (must be 3 digits - ex. 012 = 12 Meters)

Options

- EA Special Calibration Run
- PW Calibrate item with meter/display

Information is accurate to the best of Viatran's knowledge. We reserve the right to change specifications at any time.

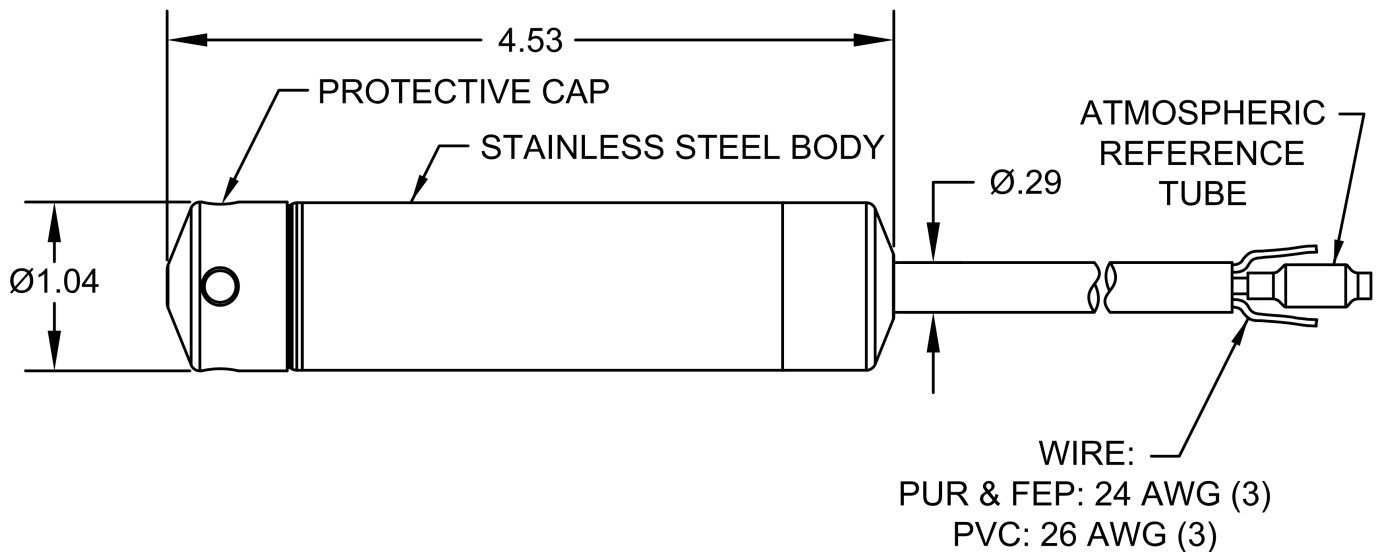
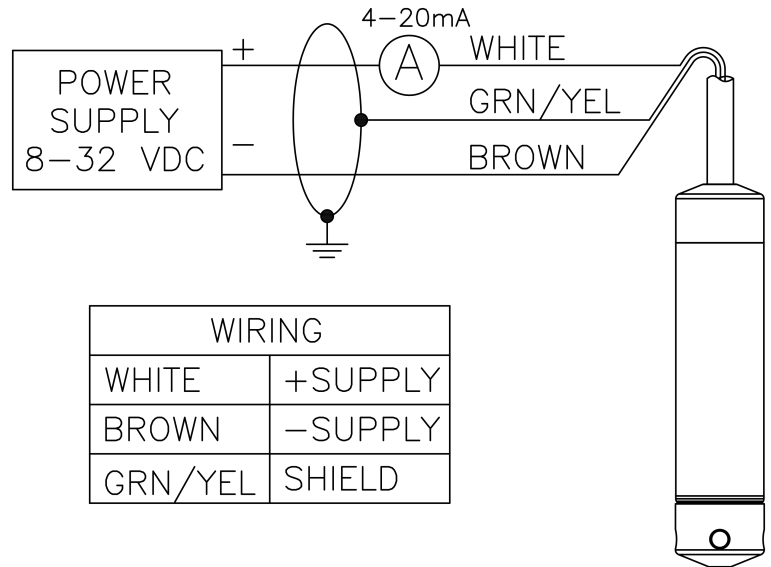
98DS59Ga

Model 59G Submersible Level Transmitter

Connection Diagrams & Wiring

The standard wiring of your Viatran level transmitter is outlined below. The wiring information is also marked on your unit.

The 59G level transmitter can be powered by a DC power supply ranging from 8 to 32 volts. See installation manual for more details.



Note: 0.1% FSO Accuracy Option increases total length by 1.375 inches!

Information is accurate to the best of Viatran's knowledge. We reserve the right to change specifications at any time.

98DS59Ga

