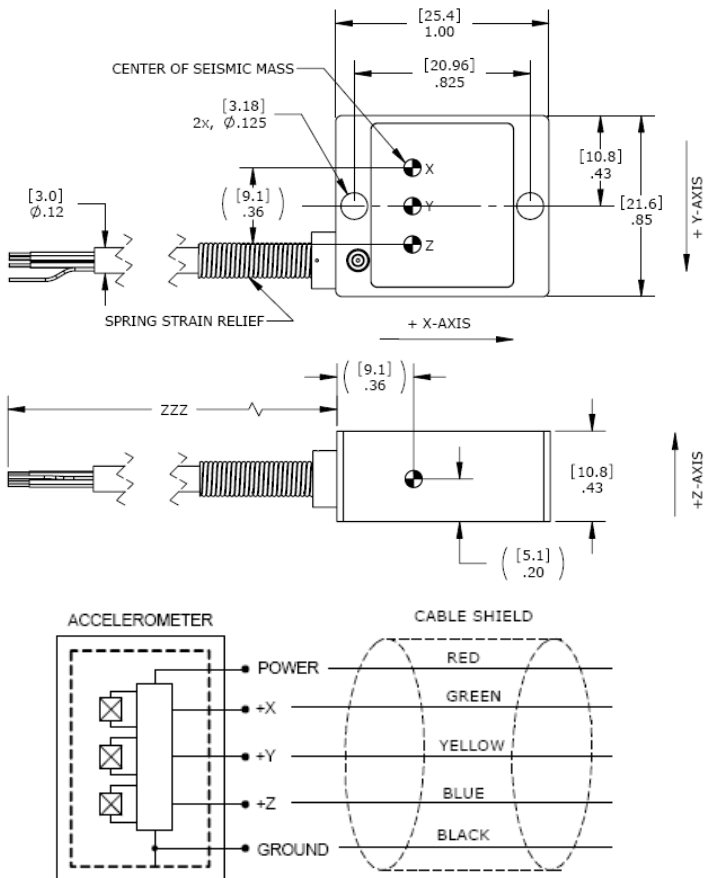


MODEL 8102 ACCELEROMETER



DIMENSIONS

8102A Pictured



SPECIFICATIONS

- Triaxial Piezoelectric Accelerometer
- $22\mu\text{A}$ Current Consumption
- Low Excitation Voltage
- Great Value

The Model 8102 is a low cost, plug & play triaxial accelerometer. Featuring stable piezo-ceramic crystals, the accelerometer incorporates full power and signal conditioning with a maximum current consumption of only 22 micro-amps. The model 8102 is available from $\pm 25\text{g}$ to $\pm 6000\text{g}$ ranges and provides a flat frequency response up to 6kHz. The housing provides two holes for screw mounting and is offered in anodized Aluminum or Stainless Steel options.

FEATURES

- $\pm 25\text{g}$ to $\pm 6000\text{g}$ Full Scale Ranges
- Low Cost Triaxial
- Potted Construction
- Piezo-Ceramic Shear Design
- -40° to $+125^\circ\text{C}$
- Integral Cable for Plug & Play

APPLICATIONS

- Asset Monitoring
- Data Loggers
- Impact Monitoring
- Machine Health Monitoring
- System Wake-Up Switch
- Product R&D

PERFORMANCE SPECIFICATIONS

All values are typical at +24°C, 80Hz and 3.3Vdc excitation unless otherwise stated. Measurement Specialties reserves the right to update and change these specifications without notice.

Parameters								Notes
DYNAMIC								
Range (g)	±25	±50	±100	±200	±500	±2000	±6000	
Sensitivity (mV/g)	50.0	25.0	12.5	6.25	2.5	0.62	0.20	±30%
Frequency Response (Hz)	2-6000	2-6000	2-6000	2-6000	2-6000	2-6000	2-6000	±2dB
Natural Frequency (Hz)	>10000	>10000	>10000	>10000	>10000	>30000	>30000	
Non-Linearity (%FSO)	±2	±2	±2	±2	±2	±2	±2	
Transverse Sensitivity (%)	<10	<10	<10	<10	<10	<10	<10	
Shock Limit (g)	5000	5000	5000	5000	5000	10000	10000	
Residual Noise (g RMS)	0.008	0.008	0.010	0.020	0.048	0.350	0.520	2Hz to 10kHz
Spectral Noise, 10Hz (mg√Hz)	0.80	0.80	0.80	1.6	3.2	26	32	
Spectral Noise, 100Hz (mg√Hz)	0.16	0.16	0.16	0.64	1.0	6.2	10	
Spectral Noise, 1kHz (mg√Hz)	0.07	0.07	0.07	0.26	0.64	3.2	8	
ELECTRICAL								
Bias Voltage (Vdc)	Exc Volt / 2							
Total Supply Current (µA)	<22							
Excitation Voltage (Vdc) ¹	3.0 to 5.5							
Output Impedance (Ω)	<100							
Insulation Resistance (MΩ)	>100							
Shielding	100%							
Ground Isolation	Isolated from Mounting Surface							
ENVIRONMENTAL								
Temperature Response (%)	-20/+30 from -40°C to +125°C							
Operating Temperature (°C)	-40 to +125							
Storage Temperature (°C)	-40 to +125							
Humidity	Epoxy Sealed, IP65							
PHYSICAL								
Case Material	Anodized Aluminum or Stainless Steel							
Cable	5x #26 AWG Conductors ETFE Insulated, Braided Shield, Cross-linked ETFE Jacket							
Weight (grams)	14							
Mounting	2x #4 or M3 Screws							
Mounting Torque	6 lb-in (0.7 N-m)							

¹ The model 8102 can be operated with 2.8V excitation but the full-scale range will be limited.

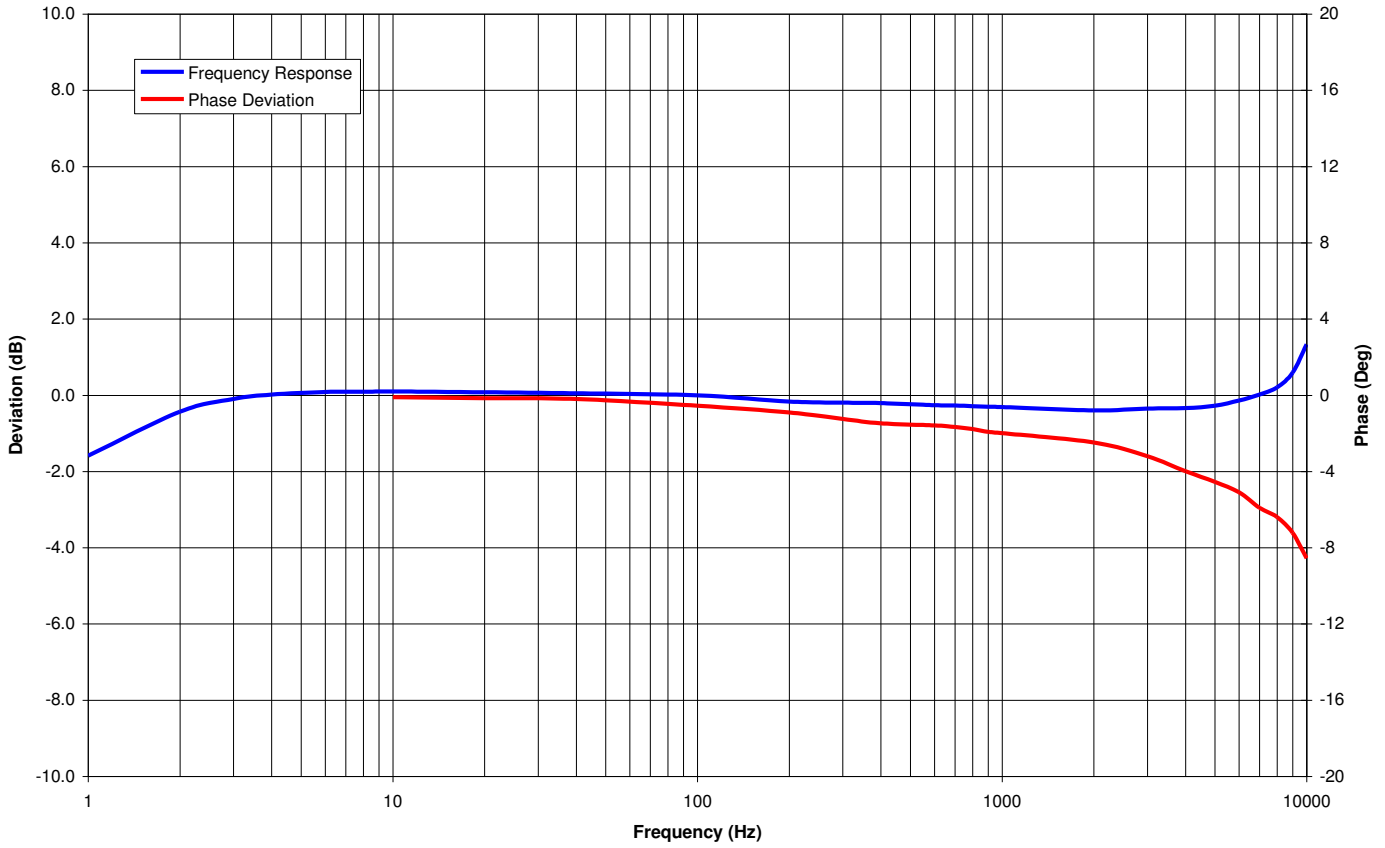
Calibration supplied: CS-SENS-0100 NIST Traceable Amplitude Calibration at 80Hz

Supplied accessories: 2x #4-40 (1/2" length) Socket Head Cap Screw and Washer

Optional accessories: CS-FREQ-0100 NIST Traceable Amplitude Calibration from 20Hz to ±2dB Frequency Response Limit

The information in this sheet has been carefully reviewed and is believed to be accurate; however, no responsibility is assumed for inaccuracies. Furthermore, this information does not convey to the purchaser of such devices any license under the patent rights to the manufacturer. Measurement Specialties, Inc. reserves the right to make changes without further notice to any product herein. Measurement Specialties, Inc. makes no warranty, representation or guarantee regarding the suitability of its product for any particular purpose, nor does Measurement Specialties, Inc. assume any liability arising out of the application or use of any product or circuit and specifically disclaims any and all liability, including without limitation consequential or incidental damages. Typical parameters can and do vary in different applications. All operating parameters must be validated for each customer application by customer's technical experts. Measurement Specialties, Inc. does not convey any license under its patent rights nor the rights of others.

Typical Frequency Response & Phase Deviation



ORDERING INFORMATION

PART NUMBERING Model Number+Range+Cable Length

8102A-GGGG-CCC-XY

| | | | _____ Connector Options (Contact Factory, otherwise leave blank)
| | | | _____ Cable (060 is 60 inches)
| | _____ Range (0200 is 200g)
| _____ Housing Configuration (A is Anodized Aluminum, B is Stainless Steel)

Example: 8102A-0200-060
 Model 8102A, 200g, 60" (5ft) Cable, No Connector Options

TE.com/sensorsolutions

Measurement Specialties, Inc., a TE Connectivity company.

Measurement Specialties, TE Connectivity, TE Connectivity (logo) and EVERY CONNECTION COUNTS are trademarks. All other logos, products and/or company names referred to herein might be trademarks of their respective owners.

The information given herein, including drawings, illustrations and schematics which are intended for illustration purposes only, is believed to be reliable. However, TE Connectivity makes no warranties as to its accuracy or completeness and disclaims any liability in connection with its use. TE Connectivity's obligations shall only be as set forth in TE Connectivity's Standard Terms and Conditions of Sale for this product and in no case will TE Connectivity be liable for any incidental, indirect or consequential damages arising out of the sale, resale, use or misuse of the product. Users of TE Connectivity products should make their own evaluation to determine the suitability of each such product for the specific application.

© 2015 TE Connectivity Ltd. family of companies All Rights Reserved.