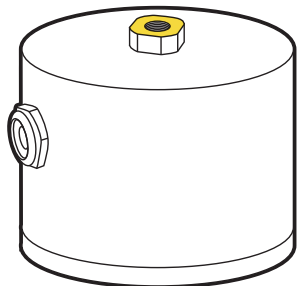
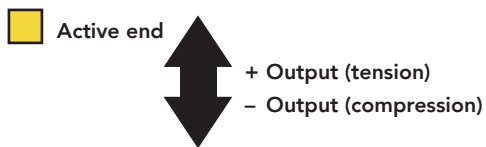


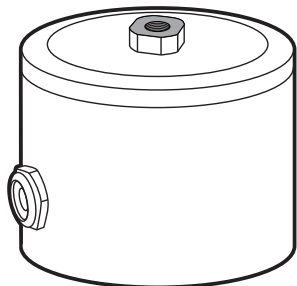


## FEATURES

- Highly resistant to off-axis loading
- Notable nonrepeatability
- High performance tension and compression load cell
- Monolithic multibeam construction
- Utilizes metal foil strain gauge technology



■ Fixed end



## SPECIFICATIONS

### PERFORMANCE

Nonlinearity	±0.1% of RO
Hysteresis	±0.1% of RO
Nonrepeatability	±0.05% of RO

### ELECTRICAL

Rated Output (RO)	1 mV/V nom (25, 50, 250 lb) 2 mV/V nom (100, 500 lb)
Excitation (VDC or VAC)	20 max
Bridge Resistance	700 Ohm nom
Insulation Resistance	≥500 MOhm @ 50 VDC
Connection	4 Position LEMO Receptacle (EGG.0B.304.CLL)
Connector Code	CC4

### MECHANICAL

Weight (approximate)	5 oz [142 g] (25-100 lb) 10 oz [284 g] (250-500 lb)
Safe Overload	150% of RO
Material	2024-T4 Aluminum (25 lbs) 17-4 PH Stainless-Steel (50-500 lbs)
IP Rating	IP50

### TEMPERATURE

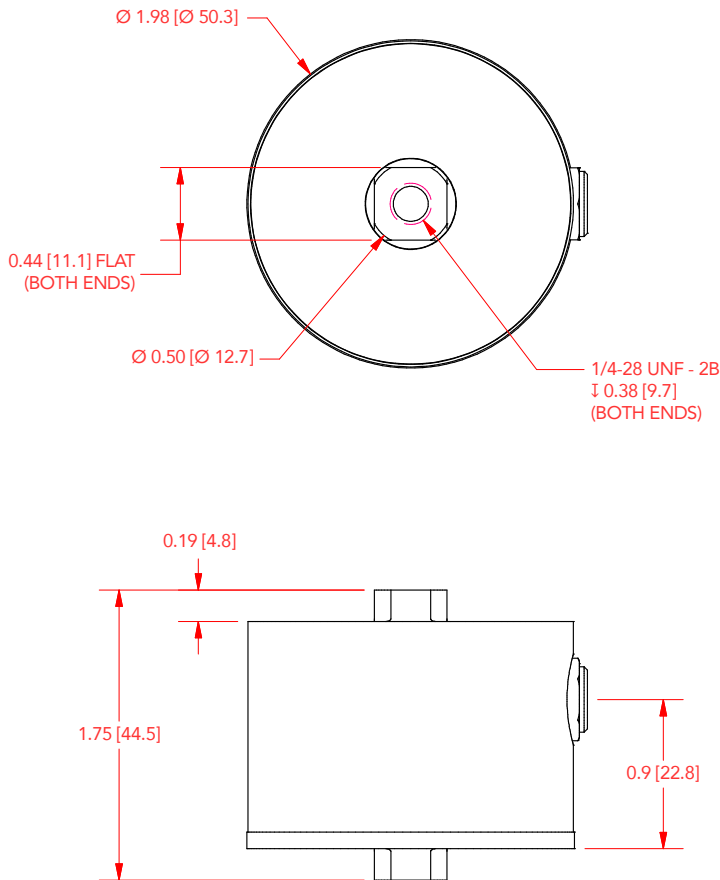
Operating Temperature	-60 to 200°F [-50 to 93°C]
Compensated Temperature	60 to 160°F [15 to 72°C]
Temperature Shift Zero	±0.01% of RO/°F [0.018% of RO/°C]
Temperature Shift Span	±0.01% of Load/°F [0.018% of Load/°C]

### CALIBRATION

Calibration Test Excitation	10 VDC
Calibration (standard)	5-pt tension
Calibration (available)	Compression
Shunt Calibration Value	100 kOhm, 200 kOhm (25, 50, 250 lb)

## DIMENSIONS inches [mm]

TOLERANCE:  
 .X ± 0.1" [2.5 mm]  
 .XX ± 0.01" [0.25 mm]  
 .XXX ± 0.005" [0.127 mm]

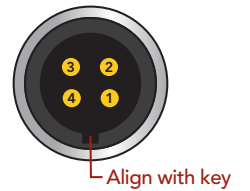


## CAPACITIES

ITEM #	lb	N	Deflection (in)	Natural Frequency (Hz)
FSH04620	25	111	0.0006	4100
FSH04621	50	222	0.0007	3400
FSH04622	100	445	0.0014	3400
FSH04623	250	1112	0.0009	7000
FSH04624	500	2224	0.0017	7000

## LEMO 4-PIN (CC4)

PIN	COLOR	DESCRIPTION
1	Red	+ Excitation
2	Green	+ Signal
3	White	- Signal
4	Black	- Excitation



Drawing Number: F11539

FUTEK reserves the right to modify its design and specifications without notice.

[www.futek.com](http://www.futek.com)



RoHS



U.S. Manufacturer