


## FEATURES

- Designed for OEM and high quantity Applications
- Slim, low profile design
- Materials testing and applied force validation

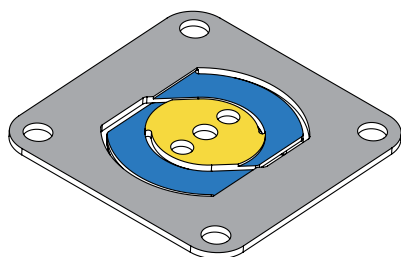
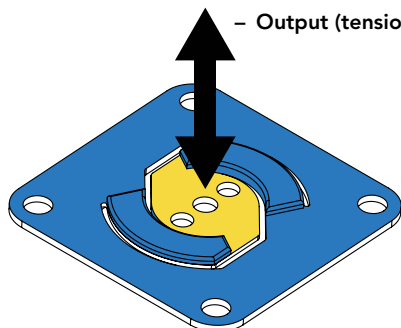
 Active end

 Fixed end

 Non-loading surface, do not contact

+ Output (compression)

- Output (tension)



## SPECIFICATIONS

### PERFORMANCE

Capacity	1 lb
Nonlinearity	±0.25% of RO
Hysteresis	±0.25% of RO
Nonrepeatability	±0.1% of RO

### ELECTRICAL

Rated Output (RO)	1.5 mV/V nom
Excitation (VDC or VAC)	10 max
Bridge Resistance	350 Ohm nom
Insulation Resistance	≥500 MOhm @ 50 VDC
Connection	#29 AWG, 4 conductor, Teflon wire 6 in [152 mm] long

Wiring Code WC1

### MECHANICAL

Weight	0.1 oz [2.8 g]
Safe Overload	150% of RO
Deflection	0.004 in [0.10 mm] nom
Material	300 series stainless-steel
IP Rating	IP00

### TEMPERATURE

Operating Temperature	-60 to 200°F [-51 to 93°C]
Compensated Temperature	60 to 160°F [15 to 72°C]
Temperature Shift Zero	±0.02% of RO/°F [0.036% of RO/°C]
Temperature Shift Span	±0.02% of Load/°F [0.036% of Load/°C]

### CALIBRATION

Calibration Test Excitation	5 VDC
Calibration (standard)	5-pt compression
Calibration (available)	Tension and compression
Shunt Calibration Value	60.4 kOhm

## Sensor Solution Source

Load · Torque · Pressure · Multi-Axis · Calibration · Instruments · Software

[www.futek.com](http://www.futek.com)

**DSPM Industria**  
sensori & trasduttori

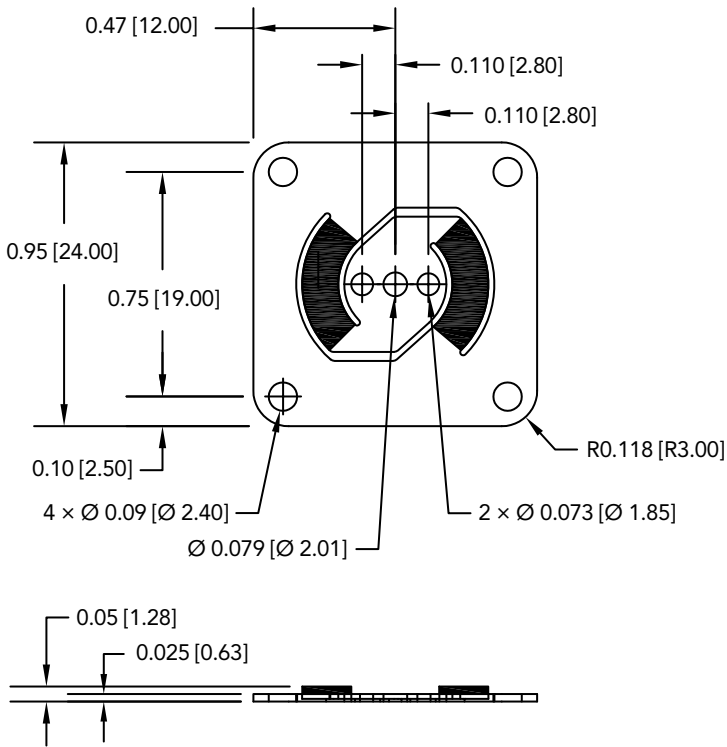
Via Paolo Uccello 4 - 20148 Milano  
Tel +39 02 48 009 757 Fax +39 02 48 002 070

[info@dspmindustria.it](mailto:info@dspmindustria.it) [www.dspmindustria.it](http://www.dspmindustria.it)



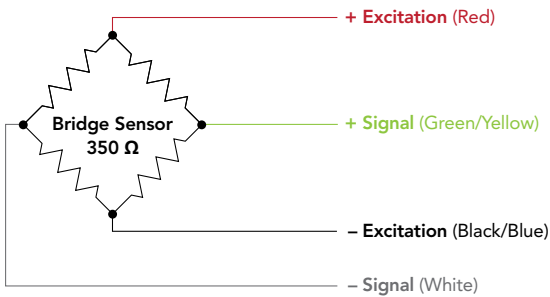
U.S. Manufacturer

## DIMENSIONS inches [mm]

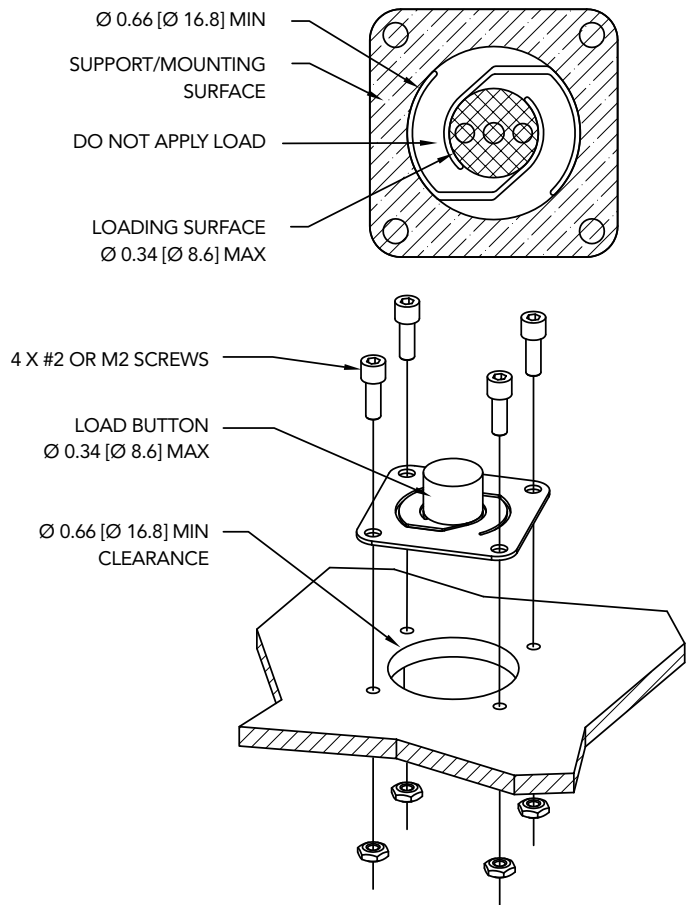


## WIRING CODE (WC1)

RED	+ EXCITATION
BLACK	- EXCITATION
GREEN	+ SIGNAL
WHITE	- SIGNAL



## MOUNTING GUIDE inches [mm]



Drawing Number: FI1117-E

FUTEK reserves the right to modify its design and specifications without notice.

[www.futek.com](http://www.futek.com)



U.S. Manufacturer