

# FUTEK MODEL ICA105

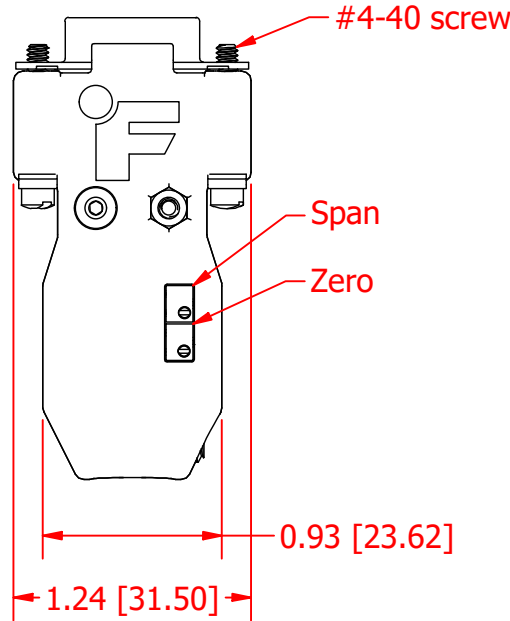
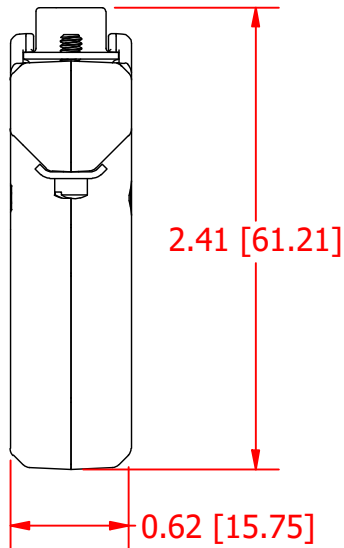
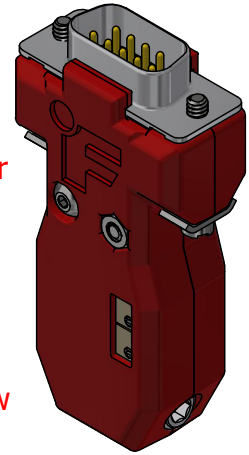
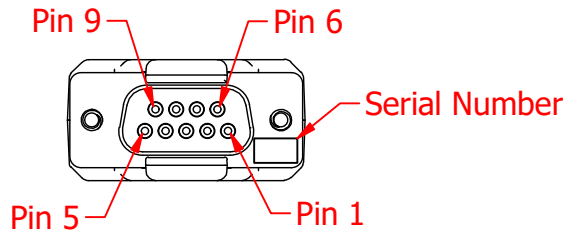
# INLINE CURRENT TRANSMITTER

ITEM NUMBER: FSH04053

INCH [mm] | R.O.= Rated Output

Male DB9	
Pin	Wiring Code
1	Signal Out
6	Ground
9	Power Supply

Note: All remaining pins on the DB9 are N/C



### FEATURES:

- Differential Input
- 0-20 mA Unipolar Output/0-10-20 mA Bipolar Output
- 4-20 mA Unipolar Output/4-12-20 mA Bipolar Output
- Adjustable Pots for Span and Offset
- Offset DIP Switch
- Reverse Polarity Protection
- Short Circuit Protection

### SPECIFICATIONS:

- Power Supply: 16-24 VDC
- Bridge Excitation: 5 VDC
- Standard Input Range: 0-5 mV/V
- Maximum Output Load: 500 Ohms

**DSPM Industria®**  
sensori & trasduttori

Via Paolo Uccello 4 - 20148 Milano  
Tel +39 02 48 009 757 Fax +39 02 48 002 070  
info@dspmindustria.it www.dspmindustria.it

CUSTOMER APPROVAL- COMPANY:

CUSTOMER APPROVAL- NAME / DATE:

REVISIONS: (Refer to dwg # revision sheet)

A	
B	6/10/2019
C	4/19/2023

## OUTLINE DRAWING

# FUTEK

This drawing, INCLUDING ALL INFORMATION DEPICTED THEREON (COLLECTIVELY, "Drawing"), is FUTEK's property. It is provided solely for the information and exclusive use of the original addressee. EXCEPT AS EXPRESSLY APPROVED BY FUTEK, YOU MAY NOT REPRODUCE OR SHARE this Drawing, in whole or part, with any OTHER firm or individual and without this legend appearing thereon.

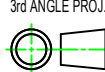
STANDARD NOTES: (Unless Otherwise Specified)

ALL DIMENSIONS ARE IN INCHES  
DRAWING INTERPRETATION DIMS. PER ASME-Y14.5  
REMOVE BURRS AND BREAK SHARP EDGES .005 - .015  
THREADS PER HANDBOOK H-28  
DIMENSIONS ARE SHOWN AFTER PLATING

ANGLE:  
± 1/2°

CHAMFER:  
± 5°

TOLERANCE:  
.X ± 0.1"  
.XX ± 0.01"  
.XXX ± 0.005"



MODEL: **ICA105**

DRAWN BY: P. THAKUR

APPROVED BY: F. ALLAHAKBARI

CHECKED BY:

DWG No.: **F11419-C**

CREATED DATE: 12/6/2016

APPROVED DATE: 4/19/2023

CAGE: 1X8M6 SHEET: 1 OF 1