



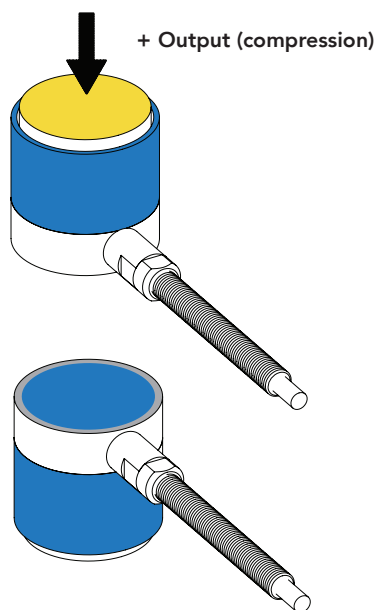
## FEATURES

- Fast response time
- Superior natural frequency
- Low deflection
- Small profile for tight spaces
- Fully welded construction

 Active end

 Fixed end

 Non-loading surface, do not contact



## SPECIFICATIONS

### PERFORMANCE

Nonlinearity	±0.5% of RO
Hysteresis	±0.5% of RO
Nonrepeatability	±0.25% of RO

### ELECTRICAL

Rated Output (RO)	1.3 mV/V (2000 lb) 2 mV/V (3000–5000 lb) nom
Excitation (VDC or VAC)	18 max
Bridge Resistance	350 Ohm nom
Insulation Resistance	≥500 MOhm @ 50 VDC
Connection	#29 AWG, 4 conductor, spiral shielded Teflon cable 10 ft [3 m] long
Wiring Code	WC1

### MECHANICAL

Weight	0.1 lb [45 g]
Safe Overload	150% of RO
Material	17-4 PH stainless-steel
IP Rating	IP64

### TEMPERATURE

Operating Temperature	-60 to 200°F [-50 to 93°C]
Compensated Temperature	60 to 160°F [15 to 72°C]
Temperature Shift Zero	±0.01% of RO/°F [0.018% of RO/°C]
Temperature Shift Span	±0.02% of Load/°F [0.036% of Load/°C]

### CALIBRATION

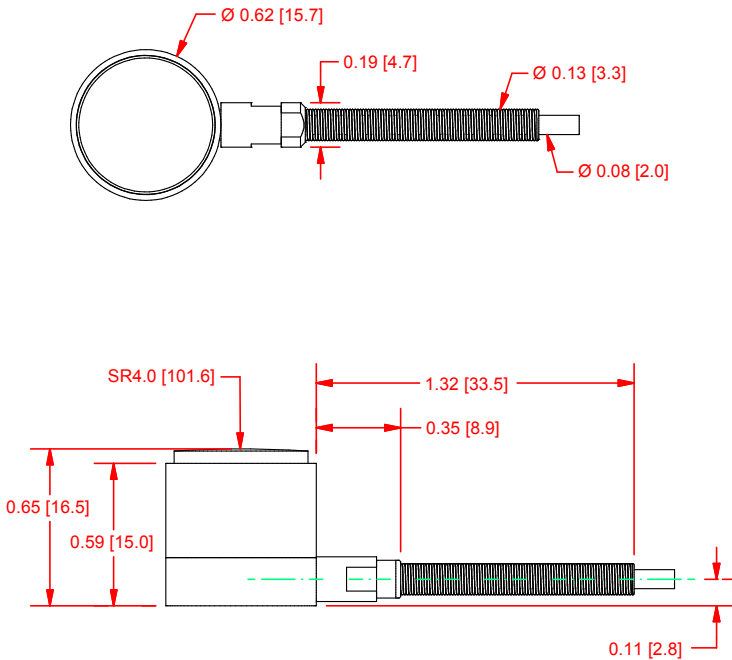
Calibration Test Excitation	10 VDC
Calibration (standard)	5-pt compression
Shunt Calibration Value	100 kOhm (2000 lb) 60.4 kOhm (3000–5000 lb)

### CONFORMITY

RoHS	EU 2015/863
CE	EN55011; EN61326-1

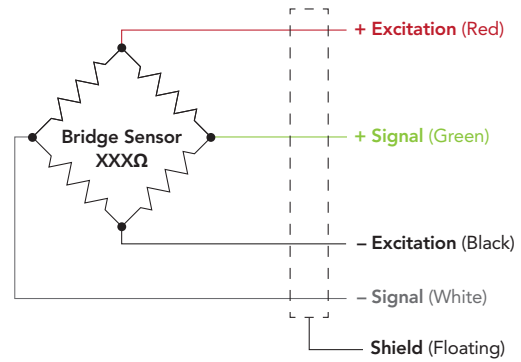
## DIMENSIONS inches [mm]

TOLERANCE:  
 .X ± 0.1" [2.5 mm]  
 .XX ± 0.01" [0.25 mm]  
 .XXX ± 0.005" [0.127 mm]



## WIRING CODE (WC1 WITH SHIELD)

RED	+ EXCITATION
BLACK	- EXCITATION
GREEN	+ SIGNAL
WHITE	- SIGNAL
SHIELD	FLOATING



## CAPACITIES

ITEM #	lb	N	Deflection (in)	Natural Frequency (Hz)
FSH04635	2000	8896	0.001	38000
FSH04636	3000	13344	0.002	38000
FSH04637	5000	22240	0.002	43000

Drawing Number: F11465-A

FUTEK reserves the right to modify its design and specifications without notice.

[www.futek.com](http://www.futek.com)



R0HS



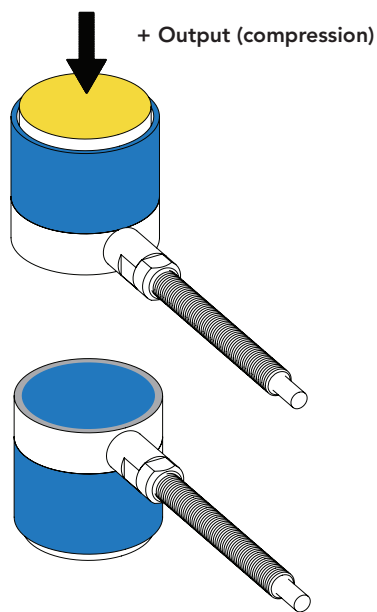
U.S. Manufacturer



## FEATURES

- Fast response time,
- Superior natural frequency
- Low deflection
- Small profile for tight spaces

- Active end
- Fixed end
- Non-loading surface, do not contact



## SPECIFICATIONS

### PERFORMANCE

Nonlinearity	±0.5% of RO
Hysteresis	±0.5% of RO
Nonrepeatability	±0.25% of RO

### ELECTRICAL

Rated Output (RO)	1.3 mV/V (2000 lb) 2 mV/V (3000–5000 lb) nom
Excitation (VDC or VAC)	18 max
Bridge Resistance	350 Ohm nom
Insulation Resistance	≥500 MOhm @ 50 VDC
Connection	#29 AWG, 4 conductor, spiral shielded Teflon cable 10 ft [3 m] long

Wiring Code WC1

### MECHANICAL

Weight	0.1 lb [45 g]
Safe Overload	150% of RO
Material	17-4 PH stainless-steel
IP Rating	IP64

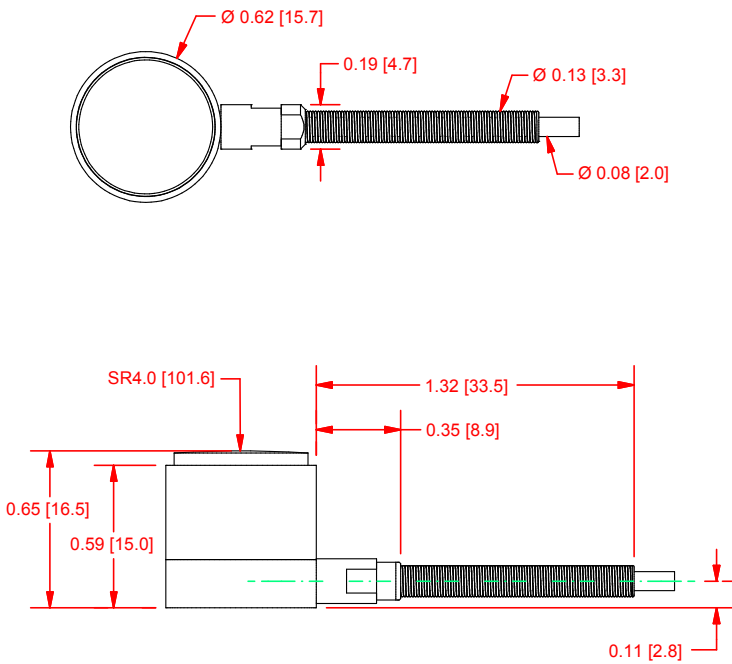
### TEMPERATURE

Operating Temperature	-60 to 200°F [-50 to 93°C]
Compensated Temperature	60 to 160°F [15 to 72°C]
Temperature Shift Zero	±0.01% of RO/°F [0.018% of RO/°C]
Temperature Shift Span	±0.02% of Load/°F [0.036% of Load/°C]

### CALIBRATION

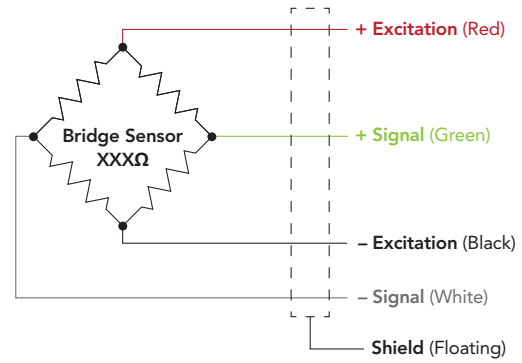
Calibration Test Excitation	10 VDC
Calibration (standard)	5-pt compression
Shunt Calibration Value	100 kOhm (2000 lb) 60.4 kOhm (3000–5000 lb)

## DIMENSIONS inches [mm]



## WIRING CODE (WC1 WITH SHIELD)

RED	+ EXCITATION
BLACK	- EXCITATION
GREEN	+ SIGNAL
WHITE	- SIGNAL
SHIELD	FLOATING



## CAPACITIES

ITEM #	lb	N	Deflection (in)	Natural Frequency (Hz)
FSH04321	2000	8896	0.001	38000
FSH04322	3000	13344	0.002	38000
FSH04323	5000	22240	0.002	43000

Drawing Number: FI1465

FUTEK reserves the right to modify its design and specifications without notice.

[www.futek.com](http://www.futek.com)

RoHS



U.S. Manufacturer