



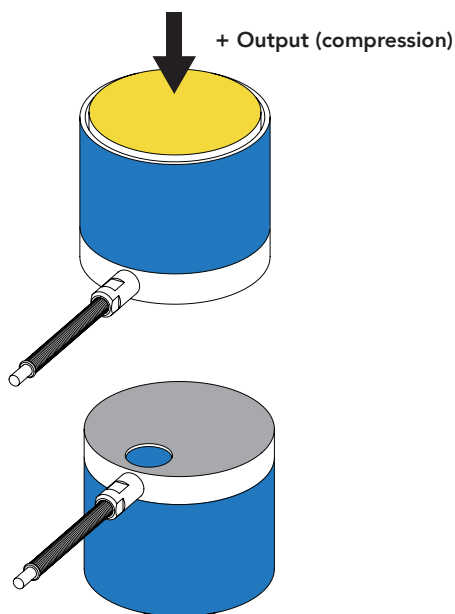
FEATURES

- Fast response time,
- Superior natural frequency
- Low deflection
- Small profile for tight spaces

 Active end

 Fixed end

 Non-loading surface, do not contact



SPECIFICATIONS

PERFORMANCE

Nonlinearity	±0.5% of RO
Hysteresis	±0.5% of RO
Nonrepeatability	±0.25% of RO

ELECTRICAL

Rated Output (RO)	2 mV/V nom
Excitation (VDC or VAC)	18 max
Bridge Resistance	350 Ohm nom
Insulation Resistance	≥500 MOhm @ 50 VDC
Connection	#29 AWG, 4 conductor, spiral shielded Teflon cable 10 ft [3 m] long
Wiring Code	WC1

MECHANICAL

Weight	0.33 lb
Safe Overload	150% of RO
Material	17-4 PH stainless-steel
IP Rating	IP64

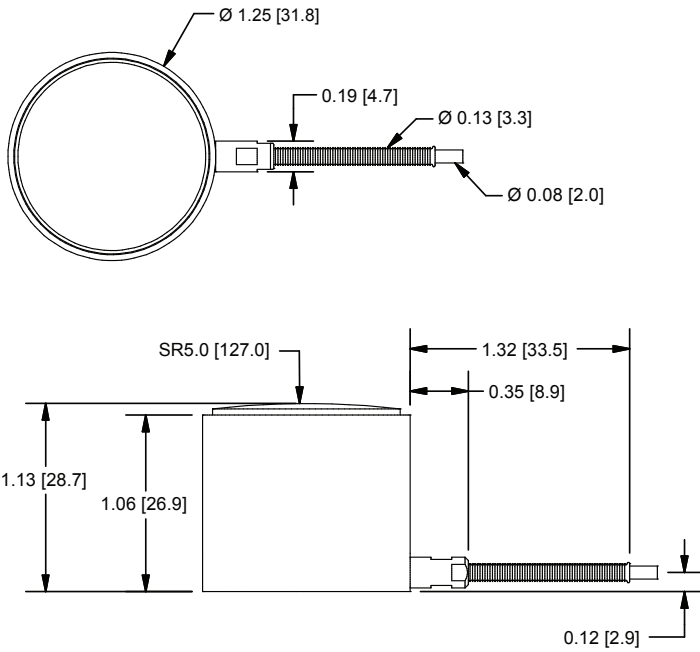
TEMPERATURE

Operating Temperature	-60 to 200°F [-50 to 93°C]
Compensated Temperature	60 to 160°F [15 to 72°C]
Temperature Shift Zero	±0.01% of RO/°F [0.018% of RO/°C]
Temperature Shift Span	±0.02% of Load/°F [0.036% of Load/°C]

CALIBRATION

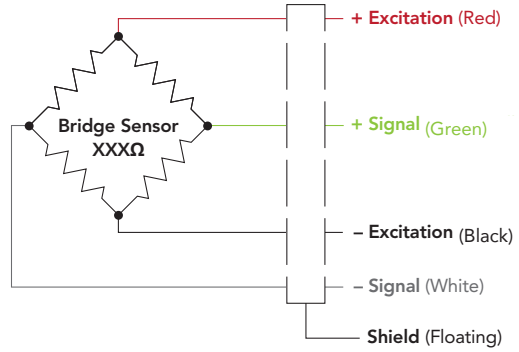
Calibration Test Excitation	10 VDC
Calibration (standard)	5-pt compression
Shunt Calibration Value	60.4 kOhm

DIMENSIONS inches [mm]



WIRING CODE (WC1 WITH SHIELD)

RED	+ EXCITATION
BLACK	- EXCITATION
GREEN	+ SIGNAL
WHITE	- SIGNAL
SHIELD	FLOATING



CAPACITIES

ITEM #	lb	N	Deflection (in)	Natural Frequency (Hz)
FSH04431	15000	66720	0.003	22000
FSH04432	30000	133400	0.004	24300

Drawing Number: F11170-D

FUTEK reserves the right to modify its design and specifications without notice.