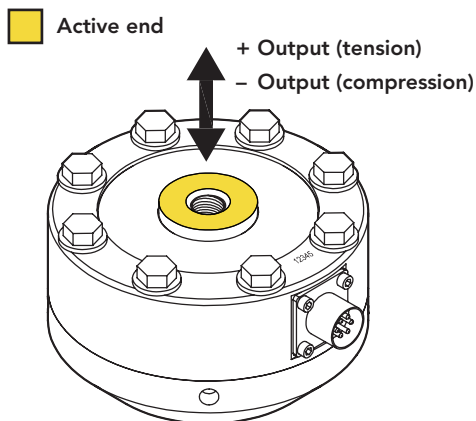


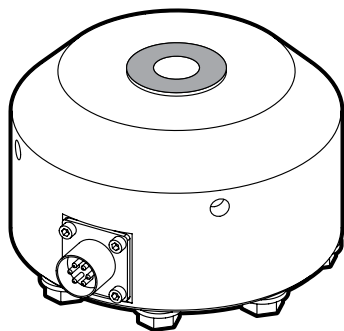


FEATURES

- Low profile design
- For use in both tension and compression
- Utilizes metal foil strain gauge technology
- Highly resistant to off-axis loading



Fixed end



SPECIFICATIONS

PERFORMANCE

Nonlinearity	±0.1% of RO
Hysteresis	±0.2% of RO
Nonrepeatability	±0.02% of RO

ELECTRICAL

Rated Output (RO)	2 mV/V nom
Excitation (VDC or VAC)	20 max
Bridge Resistance	700 Ohm nom
Insulation Resistance	≥500 MOhm @ 50 VDC
Connection	6 Pin BENDIX Receptacle (PT02E)
Connector Code	CC1 Standard/CC1T

MECHANICAL

Weight (approximate)	6.9 lb [3.2 kg] (300, 5000, 10000 lb) 2.5 lb [1.1 kg] (500–2000 lb)
Safe Overload	150% of RO
Material	Anodized aluminum (500-2000 lb) 17-4 PH stainless-steel (300, 5000, 10000 lb)
IP Rating	IP65

TEMPERATURE

Operating Temperature	-60 to 200°F [-50 to 93°C]
Compensated Temperature	60 to 160°F [15 to 72°C]
Temperature Shift Zero	±0.001% of RO/°F [0.0018% of RO/°C]
Temperature Shift Span	±0.002% of Load/°F [0.0036% of Load/°C]

CALIBRATION

Calibration Test Excitation	10 VDC
Calibration (standard)	5-pt compression
Calibration (available)	5-pt tension
Shunt Calibration Value	100 kOhm

Sensor Solution Source

Load · Torque · Pressure · Multi-Axis · Calibration · Instruments · Software

www.futek.com

DSPM Industria
sensori & trasduttori

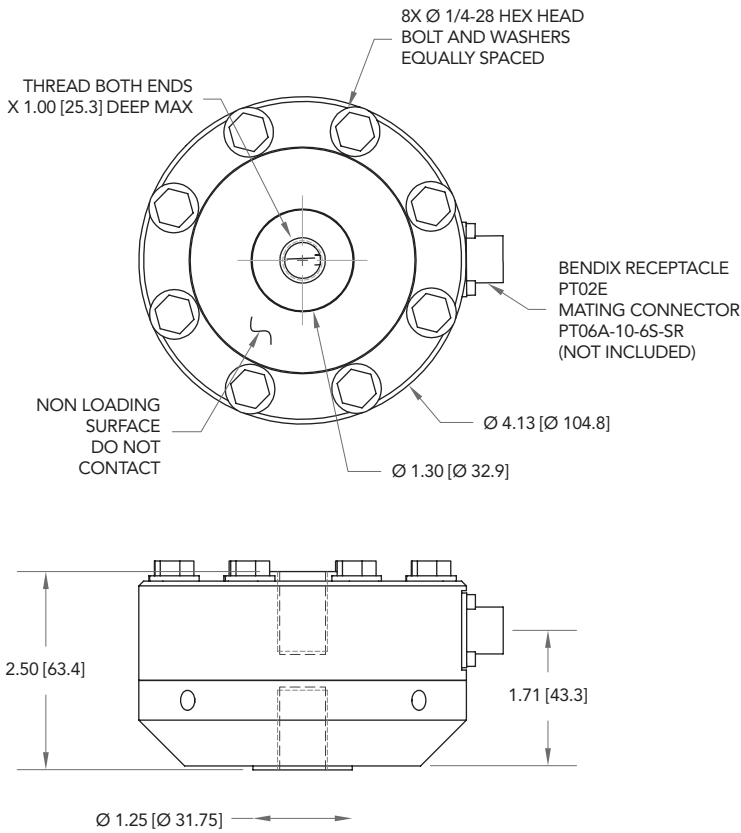
Via Paolo Uccello 4 - 20148 Milano
Tel +39 02 48 009 757 Fax +39 02 48 002 070

info@dspmindustria.it www.dspmindustria.it



U.S. Manufacturer

DIMENSIONS inches [mm]

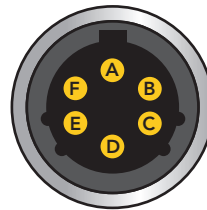


CAPACITIES

ITEM #	lb	N	Thread	Deflection (in)	Natural Frequency (Hz)
FSH01966	300	1334	5/8-18	0.001	2300
FSH00203	500	2224	5/8-18	0.001	3000
FSH02106			M16 X 2		
FSH00204	1000	4448	5/8-18	0.002	3000
FSH02107			M16 X 2		
FSH00205	2000	8896	5/8-18	0.001	6300
FSH01708			M16 X 2		
FSH00194	5000	22240	5/8-18	0.002	7000
FSH02110			M16 X 2		
FSH02046	10000	44480	5/8-18	0.004	7000
FSH02221			M16 X 2		

BENDIX 6-PIN (CC1/CC1T)

PIN	COLOR	DESCRIPTION	TEDS DESCRIPTION
A	Red	+ Excitation	+ Excitation
B	Black	- Excitation	- Excitation
C	Green	+ Signal	+ Signal
D	White	- Signal	- Signal
E	Orange	+ Sense	TEDS Data
F	Blue	- Sense	TEDS GND



Sensor Receptacle View

Drawing Number: FI1042-C

FUTEK reserves the right to modify its design and specifications without notice.

www.futek.com