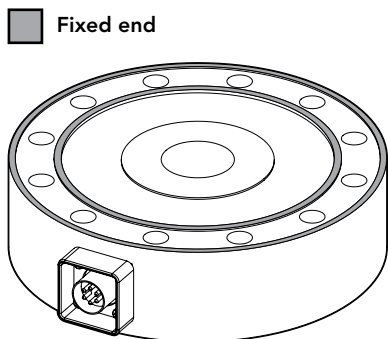
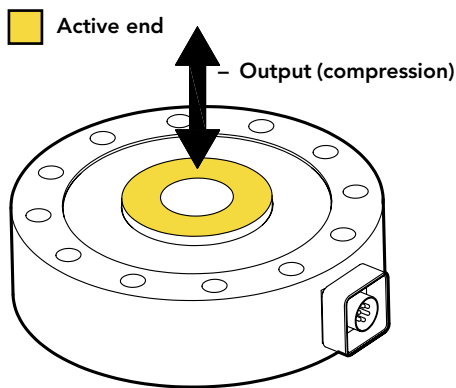




## FEATURES

- Low profile design
- For use in compression
- Fatigue rated
- Highly resistant to off-axis loading



## SPECIFICATIONS

### PERFORMANCE

Nonlinearity	±0.1% of RO
Hysteresis	±0.2% of RO
Nonrepeatability	±0.02% of RO

### ELECTRICAL

Rated Output (RO)	2 mV/V nom
Excitation (VDC or VAC)	20 max
Bridge Resistance	350 Ohm nom
Insulation Resistance	≥500 MOhm @ 50 VDC
Connection	6 Pin BENDIX Receptacle (PT02E-10-6P)
Connector Code	CC1 Standard/CC1T

### MECHANICAL

Weight (approximate)	9 lb [4.1 kg]
Safe Overload	300% of RO
Material	17-4 PH stainless-steel
IP Rating	IP65

### TEMPERATURE

Operating Temperature	-60 to 200°F [-50 to 93°C]
Compensated Temperature	60 to 160°F [15 to 72°C]
Temperature Shift Zero	±0.001% of RO/°F [0.0018% of RO/°C]
Temperature Shift Span	±0.002% of Load/°F [0.0036% of Load/°C]

### CALIBRATION

Calibration Test Excitation	10 VDC
Calibration (standard)	5-pt compression
Shunt Calibration Value	60.4 kOhm

## Sensor Solution Source

Load · Torque · Pressure · Multi-Axis · Calibration · Instruments · Software

[www.futek.com](http://www.futek.com)

**DSPM Industria**  
sensori & trasduttori

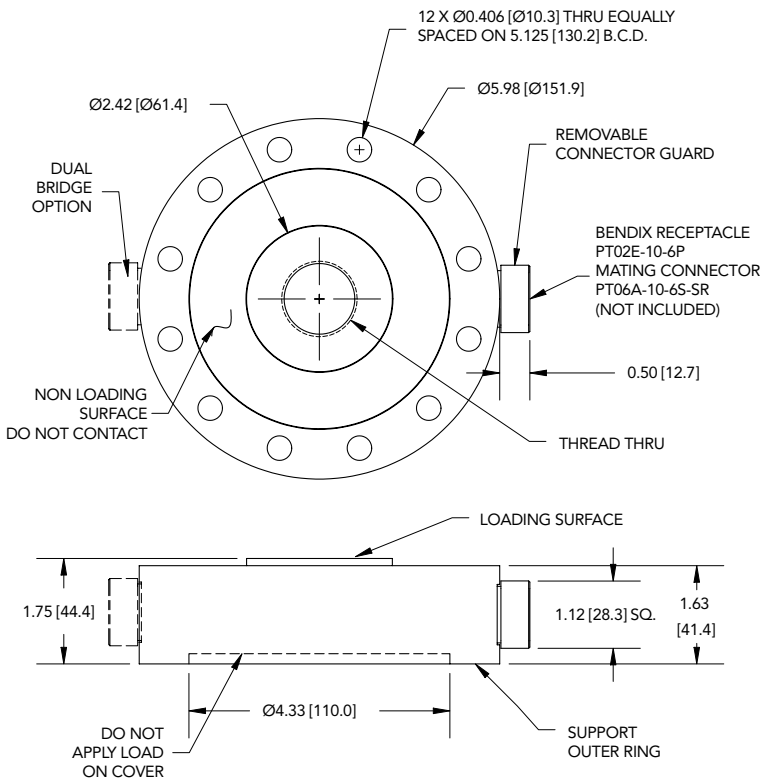
Via Paolo Uccello 4 - 20148 Milano  
Tel +39 02 48 009 757 Fax +39 02 48 002 070

[info@dspmindustria.it](mailto:info@dspmindustria.it) [www.dspmindustria.it](http://www.dspmindustria.it)



U.S. Manufacturer

## DIMENSIONS inches [mm]

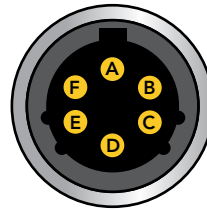


## CAPACITIES

ITEM #	lb	N	Thread	Deflection (in)	Natural Frequency (Hz)
FSH04279	12500	55600	1 1/4-12	0.001	7100
FSH04281			M33 X 2		
FSH04280	25000	111200	1 1/4-12	0.0015	8200
FSH04282			M33 X 2		

## BENDIX 6-PIN (CC1/CC1T)

PIN	COLOR	DESCRIPTION	TEDS DESCRIPTION
A	Red	+ Excitation	+ Excitation
B	Black	- Excitation	- Excitation
C	Green	+ Signal	+ Signal
D	White	- Signal	- Signal
E	Orange	+ Sense	TEDS Data
F	Blue	- Sense	TEDS GND



Sensor Receptacle View

Drawing Number: FI1460

FUTEK reserves the right to modify its design and specifications without notice.

[www.futek.com](http://www.futek.com)



U.S. Manufacturer