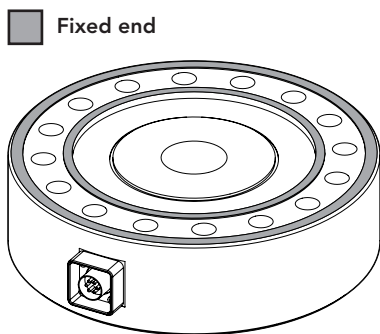
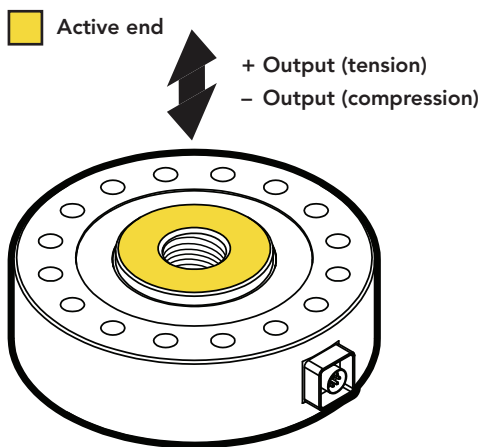




FEATURES

- Low profile design
- 17-4 stainless-steel construction
- For use in both tension and compression
- Utilizes metal foil strain gauge technology



SPECIFICATIONS

PERFORMANCE

Nonlinearity	±0.2% of RO
Hysteresis	±0.2% of RO
Nonrepeatability	±0.02% of RO

ELECTRICAL

Rated Output (RO)	2 mV/V nom
Excitation (VDC or VAC)	20 max
Bridge Resistance	350 Ohm nom
Insulation Resistance	≥500 MOhm @ 50 VDC
Connection	6 Pin BENDIX Receptacle (PT02A-10-6P)
Connector Code	CC1

MECHANICAL

Weight (approximate)	25 lb [11.3 kg]
Safe Overload	150% of RO
Deflection	0.001 in [0.025 mm] nom
Material	17-4 PH stainless-steel
IP Rating	IP64

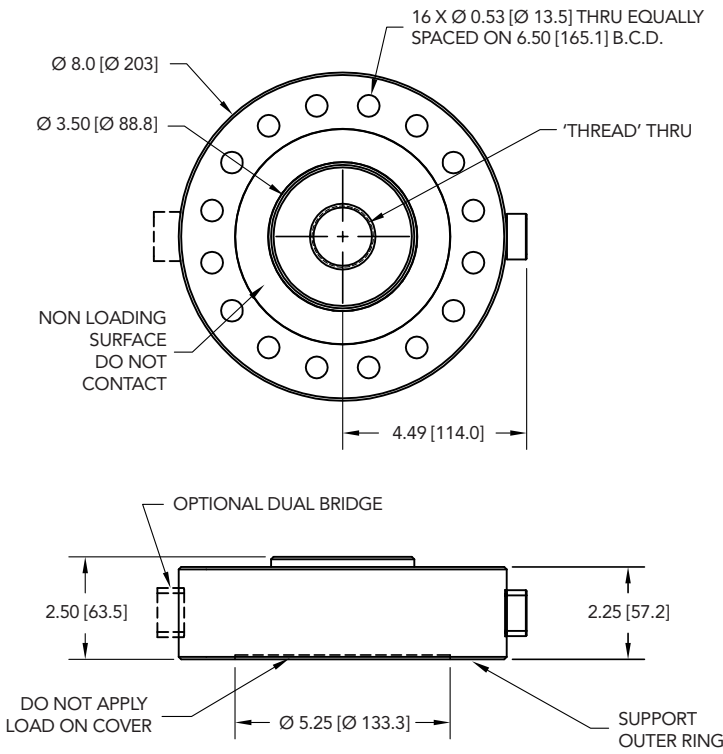
TEMPERATURE

Operating Temperature	-60 to 200°F [-50 to 93°C]
Compensated Temperature	60 to 160°F [15 to 72°C]
Temperature Shift Zero	±0.001% of RO/°F [0.0018% of RO/°C]
Temperature Shift Span	±0.002% of Load/°F [0.0036% of Load/°C]

CALIBRATION

Calibration Test Excitation	10 VDC
Calibration (standard)	5-pt compression
Shunt Calibration Value	60.4 kOhm

DIMENSIONS inches [mm]

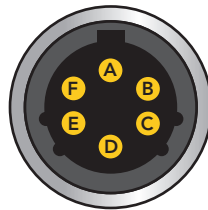


CAPACITIES

ITEM #	lb	N	Natural Frequency (Hz)	Thread	Dual Bridge
FSH03117	50000	222400	8300	1 3/4-12-2B	
FSH03118	50000	222400	8300	1 3/4-12-2B	X

BENDIX 6-PIN (CC1)

PIN	COLOR	DESCRIPTION
A	Red	+ Excitation
B	Black	- Excitation
C	Green	+ Signal
D	White	- Signal
E	Orange	+ Sense
F	Blue	- Sense



Sensor Receptacle View

Drawing Number: FI1179-G

FUTEK reserves the right to modify its design and specifications without notice.

www.futek.com



U.S. Manufacturer