



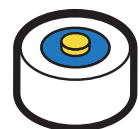
FEATURES

- Fast (μ s) response time
- 17-4 PH stainless-steel construction
- Environmental Protection, IP67 Rated
- Water Resistant and Outdoor Rated
- Low power consumption
- Quick Disconnect Cable
- Compact Size with bottom mounting provisions
- Notable non-linearity & non-repeatability

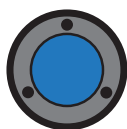
 Non-loading surface, do not contact

 Active End

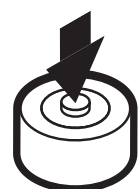
 Fixed End



Top view



Bottom view



+ Output (compression)

SPECIFICATIONS

PERFORMANCE

Nonlinearity	$\pm 0.25\%$ of RO
Hysteresis	$\pm 0.25\%$ of RO
Nonrepeatability	$\pm 0.1\%$ of RO

ELECTRICAL

Rated Output (RO)	2 mV/V nom
Excitation (VDC or VAC)	18 max
Bridge Resistance	700 Ohm nom
Insulation Resistance	≥ 500 MOhm @ 50 VDC
Connection	4 Position Micro Receptacle
Wiring/Connector Code	CC19

MECHANICAL

Weight (approximate)	40 oz [1.1 kg]
Safe Overload	150% of RO
Deflection	0.0058"
Material	17-4 PH stainless-steel
IP Rating	IP67

TEMPERATURE

Operating Temperature	-60 to 200°F [-50 to 93°C]
Compensated Temperature	60 to 160°F [15 to 72°C]
Temperature Shift Zero	$\pm 0.005\%$ of RO/°F [0.009% of RO/°C]
Temperature Shift Span	$\pm 0.005\%$ of LOAD/°F [0.009% of LOAD/°C]

CALIBRATION

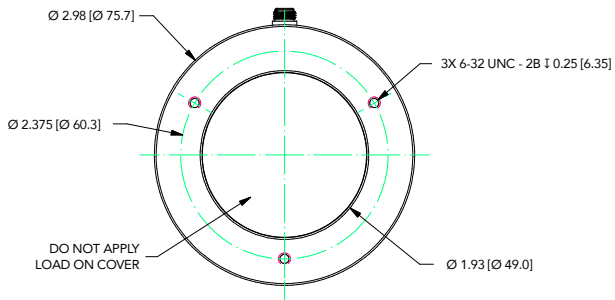
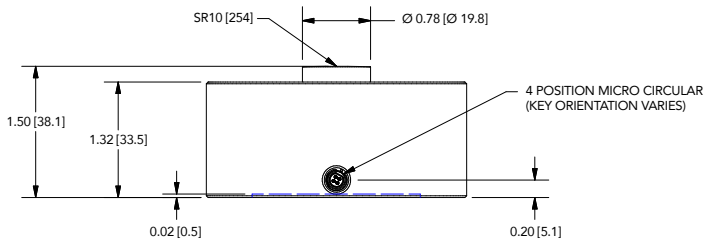
Calibration Test Excitation	10 VDC
Calibration (standard)	5-pt Compression
Shunt Calibration Value	100 kOhm

CONFORMITY

RoHS	EU 2015/863
CE	EN55011; EN61326-1

DIMENSIONS inches [mm]

TOLERANCE:
 .X ± 0.1" [2.5 mm]
 .XX ± 0.01" [0.25 mm]
 .XXX ± 0.005" [0.127 mm]



FUTEK 4 PIN MICRO CIRCULAR (CC19)

1	+ EXCITATION	Red
2	- EXCITATION	Black
3	- SIGNAL	White
4	+ SIGNAL	Green



CAPACITIES

ITEM #	lb	N	FZ Deflection (in)	Natural Frequency (kHz)
FSH04536	50k	222400	0.0058	22.7

Drawing Number: F11533

FUTEK reserves the right to modify its design and specifications without notice.

www.futek.com



RoHS



U.S. Manufacturer



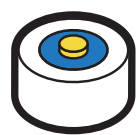
FEATURES

- Ultra low deflection
- Robust strain relief
- 17-4 PH stainless-steel construction
- For use in compression
- Utilizes metal foil strain gauge technology
- Includes bottom mounting provisions

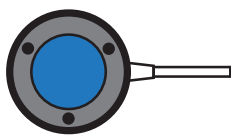
 Non-loading surface, do not contact

 Active End

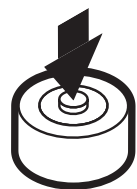
 Fixed End



Top view



Bottom view



+ Output (compression)

SPECIFICATIONS

PERFORMANCE

Nonlinearity $\pm 0.25\%$ of RO

Hysteresis $\pm 0.25\%$ of RO

Nonrepeatability $\pm 0.1\%$ of RO

ELECTRICAL

Rated Output (RO) 2 mV/V nom

Excitation (VDC or VAC) 18 max

Bridge Resistance 700 Ohm nom

Insulation Resistance ≥ 500 MOhm @ 50 VDC

Connection #26 AWG, 4 conductor, braided shielded Teflon cable

Wiring/Connector Code WC1

MECHANICAL

Weight (approximate) 40 oz [1.1 kg]

Safe Overload 150% of RO

Deflection See chart on next page

Material 17-4 PH stainless-steel

IP Rating IP64

TEMPERATURE

Operating Temperature -60 to 200°F [-50 to 93°C]

Compensated Temperature 60 to 160°F [15 to 72°C]

Temperature Shift Zero $\pm 0.01\%$ of RO/ $^\circ\text{F}$ [0.018% of RO/ $^\circ\text{C}$]

Temperature Shift Span $\pm 0.02\%$ of LOAD/ $^\circ\text{F}$ [0.036% of LOAD/ $^\circ\text{C}$]

CALIBRATION

Calibration Test Excitation 10 VDC

Calibration (standard) 5-pt Compression

Shunt Calibration Value 100 kOhm

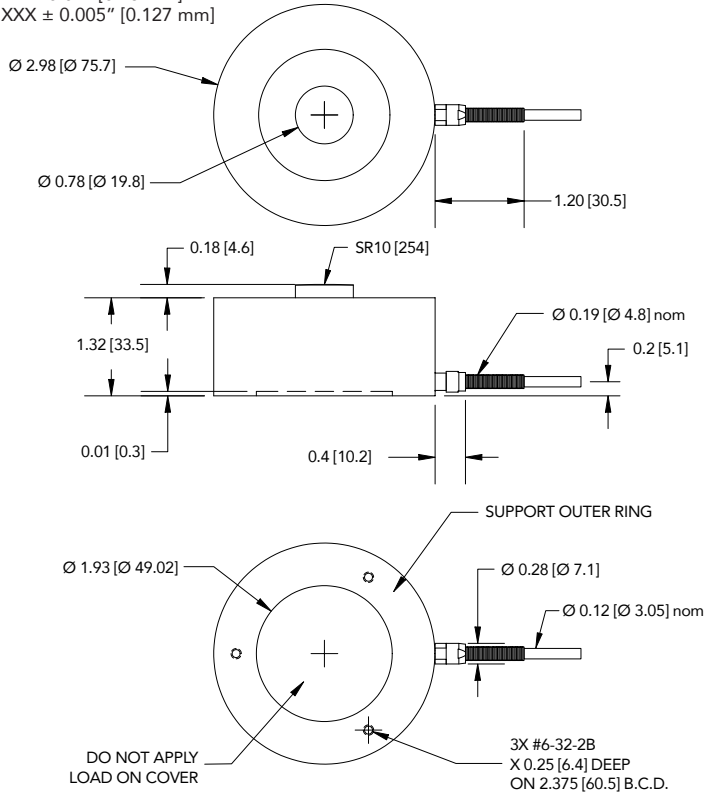
CONFORMITY

RoHS EU 2015/863

CE EN55011; EN61326-1

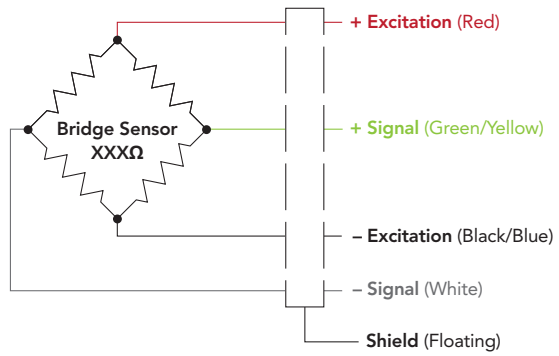
DIMENSIONS inches [mm]

TOLERANCE:
 .X ± 0.1" [2.5 mm]
 .XX ± 0.01" [0.25 mm]
 .XXX ± 0.005" [0.127 mm]



WIRING CODE (WC1 WITH SHIELD)

RED	+ EXCITATION
BLACK	- EXCITATION
GREEN	+ SIGNAL
WHITE	- SIGNAL
SHIELD	FLOATING



CAPACITIES

ITEM #	lb	N	FZ Deflection (in)	Natural Frequency (kHz)
FSH04535	50k	222400	0.0042	15.9

Drawing Number: F11480-B

FUTEK reserves the right to modify its design and specifications without notice.

www.futek.com



RoHS



U.S. Manufacturer