

FUTEK MODEL L2706

LOAD WASHER LOAD CELL

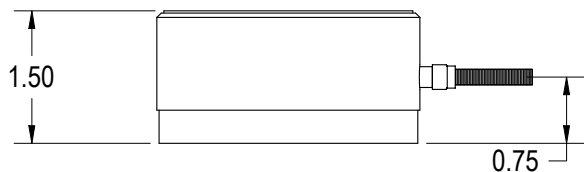
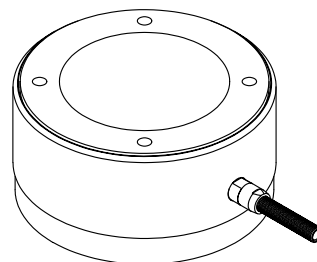
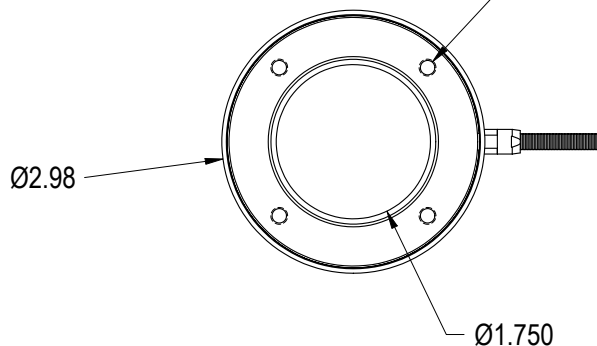
Drawing Number: F1426-03

INCH [mm] | R.O.= Rated Output

WIRING CODE

+Excitation	-Excitation	+Signal	-Signal
RED	BLACK	GREEN	WHITE

4X #10-32-2B X 0.31 DEEP
EQUALLY SPACED ON
0.84 B.C.D.



SPECIFICATIONS:

RATED OUTPUT	0.8 mV/V nominal (FATIGUE RATED)
CAPACITY	2000 907
SAFE OVERLOAD	150% of R.O.
ZERO BALANCE	±3% of R.O.
EXCITATION (VDC OR VAC)	18 VDC MAX
BRIDGE RESISTANCE	500/700 Ω nom.
NONLINEARITY	±1% of R.O.
HYSTERESIS	±1% of R.O.
NONREPEATABILITY	±0.2% of R.O.
TEMP. SHIFT ZERO	0.005% of LOAD/°F (0.009% of R.O./°C)
TEMP. SHIFT SPAN	0.005% of LOAD/°F (0.009% of R.O./°C)
COMPENSATED TEMP.	60 to 160°F (15 to 82°C)
OPERATING TEMP.	-60 to 212°F (-50 to 100°C)
WEIGHT	7 oz [198 g]
MATERIAL	ANODIZED ALUMINUM
CABLE: #26 AWG, 4 Conductor, Braided Shielded Teflon Cable 5 ft [1.5 m] Long	
ACCESSORIES AND RELATED INSTRUMENTS AVAILABLE	
CALIBRATION (STD)	5 pt. COMPRESSION; 100 KΩ SHUNT CAL. VALUE
CALIBRATION TEST EXCITATION	10 VDC