

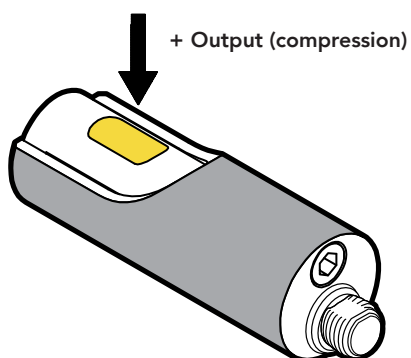


### FEATURES

- Ideal for automotive and medical pinch force applications
- Complies with Federal Motor Vehicle Safety Standard FMVSS 118
- Slim design to mimic the size of a finger
- Strain gauge based technology with lightweight aluminum body
- Integrated [IEEE1451.4 TEDs](#) for Plug and Play with compatible instruments
- Embedded [PT-1000 temperature sensor](#)

 Active end

 Fixed end



### SPECIFICATIONS

#### PERFORMANCE

Nonlinearity  $\pm 0.15\%$  of RO

#### ELECTRICAL

Rated Output (RO) 2 mV/V

Excitation (VDC or VAC) 12 max

Bridge Resistance 1000 Ohm nom

Insulation Resistance  $\geq 500$  MOhm @ 50 VDC

Connection FUTEK 11-PIN Connector

Wiring Code CC20

Temperature Sensor Current Range 0.1 to 0.3 mA

#### MECHANICAL

Weight 0.7 oz [20 g]

Safe Overload 200% of RO

Material Aluminum, red anodized

IP Rating IP40

#### TEMPERATURE

Operating Temperature 0 to 160°F [-18 to 72°C]

Compensated Temperature 60 to 160°F [15 to 72°C]

Temperature Shift Zero  $\pm 0.01\%$  of RO/°F [0.018% of RO/°C]

Temperature Shift Span  $\pm 0.02\%$  of Load/°F [0.036% of Load/°C]

#### CALIBRATION

Calibration Test Excitation 10 VDC

Calibration (standard) 5-pt compression

Shunt Calibration Value 150 kOhm

#### CONFORMITY

RoHS EU 2015/863

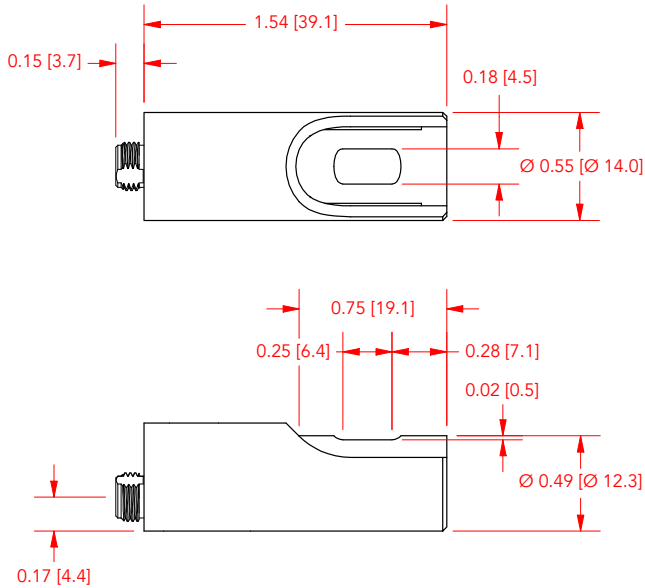
CE EN55011; EN61326-1

RTD Sensor Compliant to DIN EN60751

RTD Tolerance Class F0.3 (Class B) =  $\pm (0.3 + 0.005 \times | \text{Temperature } (^\circ\text{C}) |)$

**DIMENSIONS** inches [mm]

TOLERANCE:  
 .X ± 0.1" [2.5 mm]  
 .XX ± 0.01" [0.25 mm]  
 .XXX ± 0.005" [0.127 mm]



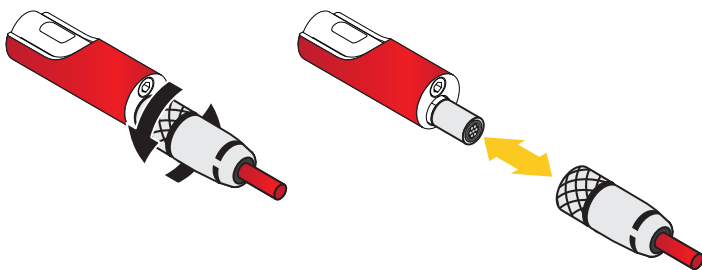
\*MATING CABLE SOLD SEPARATELY

**CAPACITIES**

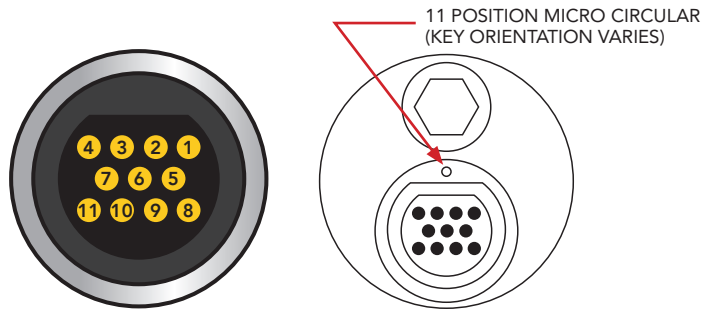
ITEM #	lb	N	Deflection (in)	Natural Frequency (Hz)
FSH04633	50	222	0.004	6300

**WIRING CODE FUTEK 11-PIN CONNECTOR**

PIN	DESCRIPTION	COLOR
1	+ Excitation	Red
2	+ Signal	Green
3	- Signal	White
4	- Excitation	Black
5	TEDS Data	Orange
6	TEDS Return	Blue
7	Temperature Data	Brown
8	Temperature Data	Gray
9	NC	Violet
10	NC	Yellow
11	NC	Clear



Note: In mated condition, the coupling nut must be threaded clockwise to secure. To demate, rotate counter-clockwise before disconnecting the cable.



Drawing Number: F11550-A

FUTEK reserves the right to modify its design and specifications without notice.

www.futek.com



RoHS



U.S. Manufacturer