

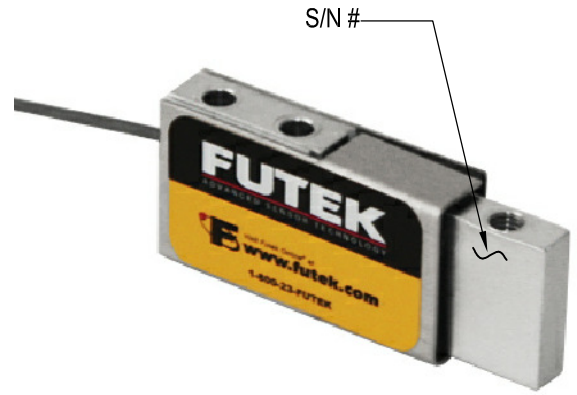
FUTEK MODEL LSM400

MINI BEAM LOAD CELL (Previously L1900)

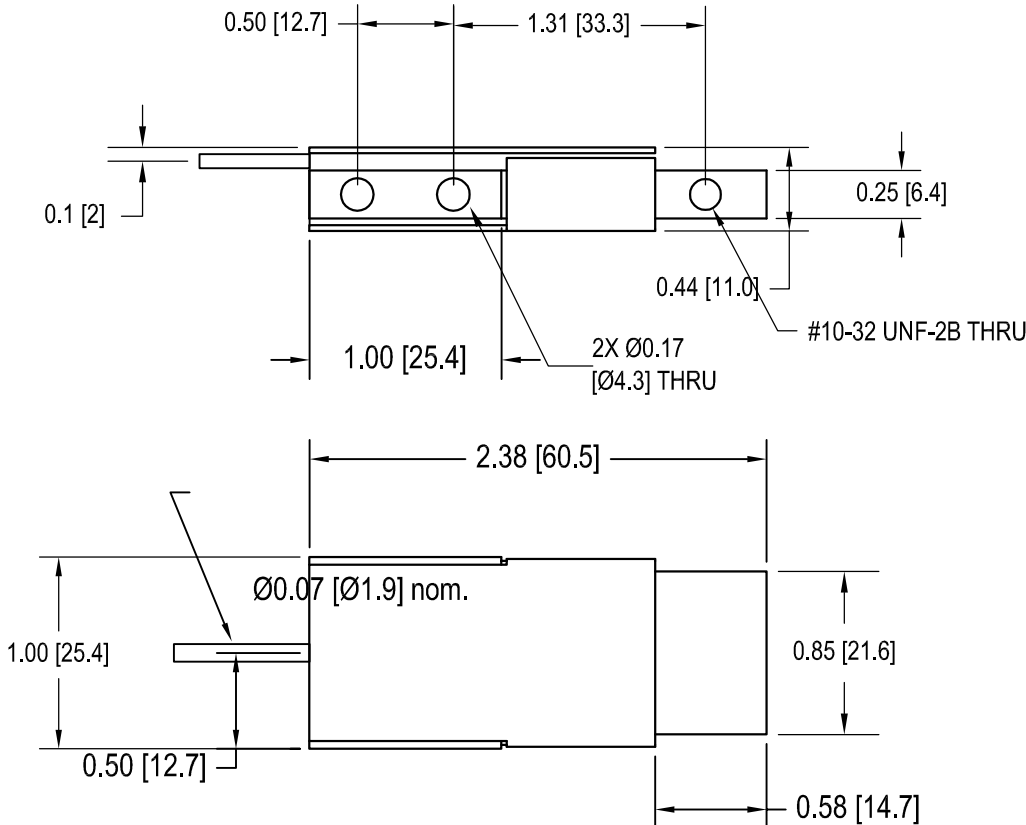
Drawing Number: FI1124-A

INCH [mm] | R.O.= Rated Output

WIRING CODE (WC1)			
+Excitation	-Excitation	+Signal	-Signal
RED	BLACK	GREEN	WHITE
Shield			
Floating			



+OUTPUT
(TENSION)



SPECIFICATIONS:

RATED OUTPUT	2 mV/V nom.
SAFE OVERLOAD	150% of R.O.
ZERO BALANCE	±1% of R.O.
EXCITATION (VDC OR VAC)	18 MAX
BRIDGE RESISTANCE	1000 Ω nom.
NONLINEARITY	±0.05% of R.O.
HYSTERESIS	±0.05% of R.O.
NONREPEATABILITY	±0.01% of R.O.
CREEP	±0.025% of LOAD.
TEMP. SHIFT ZERO	±0.001% of R.O./°F [0.0018% of R.O./°C]
TEMP. SHIFT SPAN	±0.0008% of LOAD/°F [0.0014% of LOAD/°C]
COMPENSATED TEMP.	60 to 160°F [15 to 72°C]
OPERATING TEMP.	-60 to 200°F [-50 to 93°C]
WEIGHT	1.8 oz [51 g]
MATERIAL	ALUMINUM
DEFLECTION	0.005 [0.13] nom.
CABLE: #29 AWG, 4 Conductor, Spiral Shielded Teflon Cable 10 ft [3 m] Long	
ACCESSORIES AND RELATED INSTRUMENTS AVAILABLE	
CALIBRATION (AVAILABLE)	5 pt TENSION; 150K Ω SHUNT CAL. VALUE
CALIBRATION TEST EXCITATION	10 VDC

Item#	CAPACITIES	
	lb	N
FSH00980	5	22.2
FSH00981	10	44.5
FSH00982	25	111
FSH00983	50	222
FSH00984	100	445
FSH00985	150	667

FUTEK
ADVANCED SENSOR TECHNOLOGY, INC.

This drawing is submitted solely for the information and exclusive use of the original addressee. It is not to be divulged in whole or in part, by any firm or individual without written permission from FUTEK

DSPM Industria*
sensori & trasduttori

Via Paolo Uccello 4 - 20148 Milano
Tel +39 02 48 009 757 Fax +39 02 48 002 070
info@dspmindustria.it www.dspmindustria.it