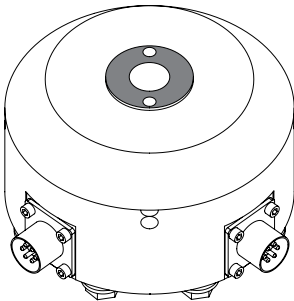
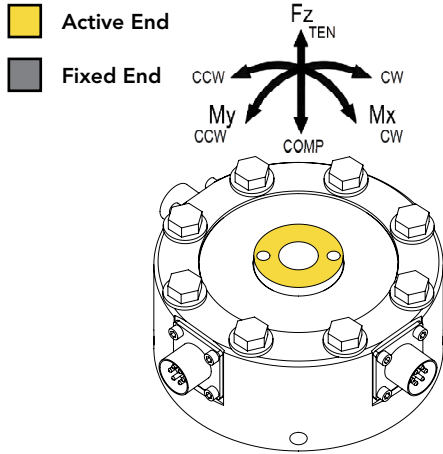




FEATURES

- Used for quantification of test stand misalignment
- Used for measurement of wind tunnel model aerodynamics
- Can Measure Force via Moment Arms



SPECIFICATIONS

PERFORMANCE

Nonlinearity (Mx, My)	±0.5% of RO
Nonlinearity (Fz)	±0.5% of RO
Cross Talk	±2% of RO or less

ELECTRICAL

Rated Output (RO)	See chart on next page
Excitation (VDC or VAC)	18 max
Bridge Resistance	Mx/My: 350 Ohm nom; Fz: 700 Ohm nom
Insulation Resistance	≥500 MOhm @ 50 VDC
Connection	(3) 6 pin BENDIX receptacle (PT02E-10-6P)
Connector Code	CC1

MECHANICAL

Safe Overload	150% of RO
Material (flexure)	Aluminum (250, 500, 1000 lb) 17-4 PH stainless-steel (5000 lb)
IP Rating	IP65

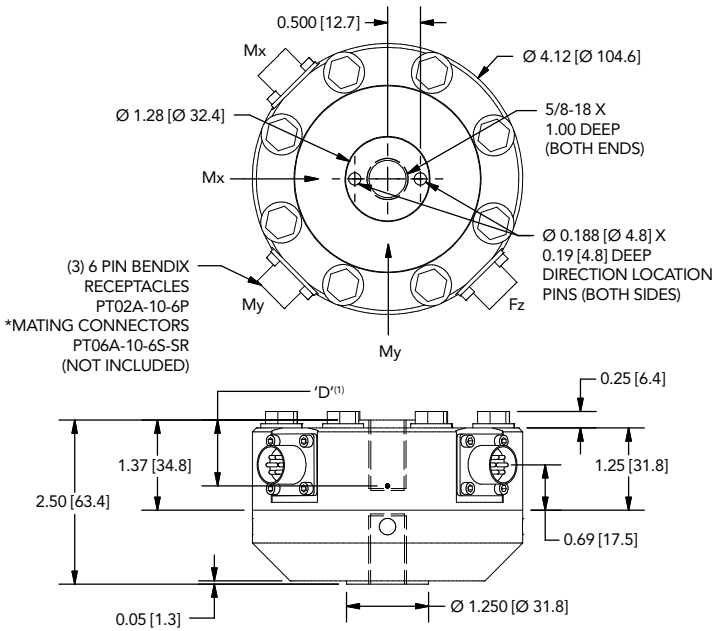
TEMPERATURE

Operating Temperature	-60 to 200°F (-51 to 93°C)
Compensated Temperature	60 to 160°F (15 to 72°C)
Temperature Shift Zero	±0.01% of RO/°F (0.018% of RO/°C)
Temperature Shift Span	±0.01% of Load/°F (0.018% of Load/°C)

CALIBRATION

Calibration Test Excitation	10 VDC
Calibration (standard)	5-pt Compression, CW
Calibration (available)	5-pt Tension and Compression, CW and CCW
Shunt Calibration Value	200 kOhm (250 lb, 500 lb, 1000 lb) 100 kOhm (5000 lb, 100 in-lb, 200 in-lb, 400 in-lb, 1000 in-lb)

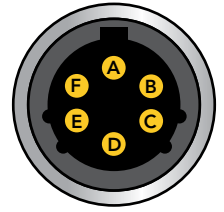
DIMENSIONS inches [mm]



(1) Mx/My Moment Reference Point

BENDIX 6-PIN (CC1)

PIN	COLOR	DESCRIPTION
A	Red	+ Excitation
B	Black	- Excitation
C	Green	+ Signal
D	White	- Signal
E	Orange	+ Sense
F	Blue	- Sense



Sensor Receptacle View

CAPACITIES

ITEM #	lb (Fz)	in-lb (Mx, My)	Deflection (in) (Fz only)	Natural Frequency (Hz) (Fz only)	Rated Output (mV/V)		'D'(1)
					(Fz)	(Mx, My)	
FSH01954	250	100	0.0003	9000	1	0.75	0.745 [18.9]
FSH03191	500	200	0.001	7000			
FSH02505	1000	400	0.001	9900			
FSH02299	5000	1000	0.002	7000	2		0.809 [20.5]

Drawing Number: FI1008-H

FUTEK reserves the right to modify its design and specifications without notice.

www.futek.com



U.S. Manufacturer