

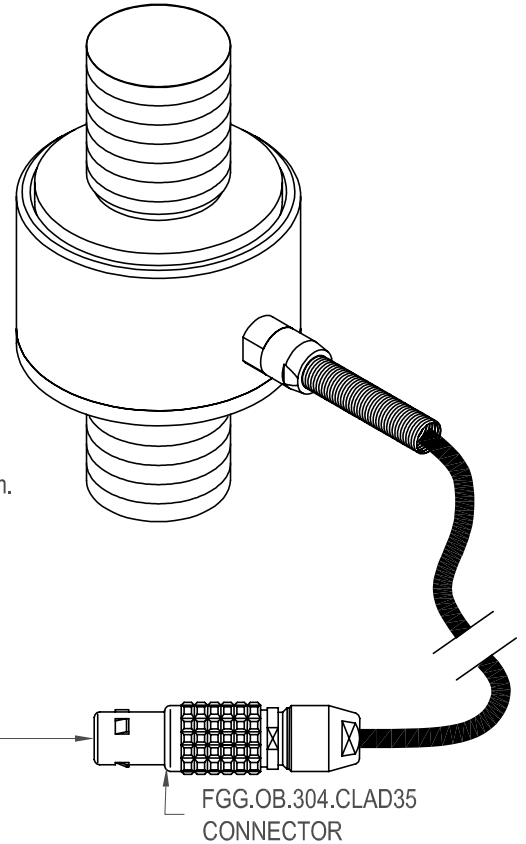
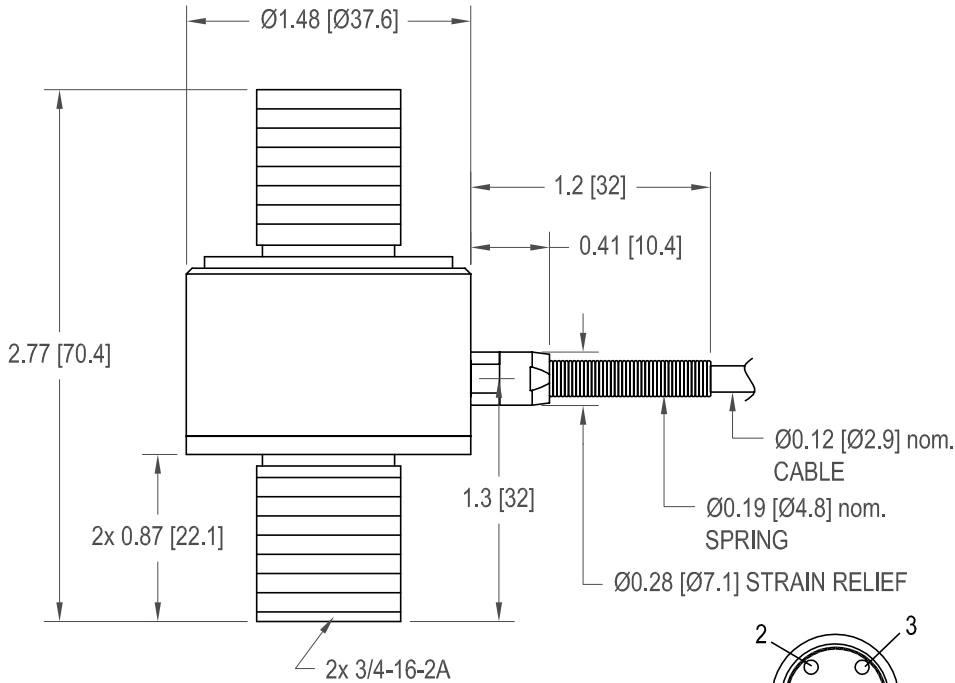


# FUTEK MODEL QLA199

# CUSTOM INLINE THREADED TENSION AND COMPRESSION LOAD CELL

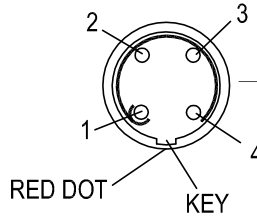
INCH (mm)		R.O.= Rated Output	
WIRING (WC1) / CONNECTOR (CC4) CODE			
+Excitation	-Excitation	+Signal	-Signal
RED / 1	BLACK / 4	GREEN / 2	WHITE / 3
Shield			
Floating			

**+OUTPUT**  
(TENSION)   
**-OUTPUT**  
(COMPRESSION) 



## SPECIFICATIONS:

RATED OUTPUT	2mV/V nom.
CAPACITY	20K lbs
SAFE OVERLOAD	150% of R.O.
ZERO BALANCE	±1% of R.O.
EXCITATION (VDC OR VAC)	18 MAX
BRIDGE RESISTANCE	350Ω nom.
NONLINEARITY	±0.5% of R.O.
HYSTERESIS	±0.5% of R.O.
NONREPEATABILITY	±0.1% of R.O.
TEMP. SHIFT ZERO	±0.005% of R.O./°F (0.01% of R.O./°C)
TEMP. SHIFT SPAN	±0.02% of LOAD/°F (0.04% of LOAD/°C)
COMPENSATED TEMP.	60 to 160°F (15 to 72°C)
OPERATING TEMP.	-45 to 200°F (-42 to 96°C)
WEIGHT	0.5 lbs
MATERIAL	STAINLESS STEEL
CABLE: #28 AWG, 4 CONDUCTOR, BRAIDED SHIELDED PVC CABLE.	
CONNECTOR: 4 PIN LEMO FGG.OB.304.CLAD	

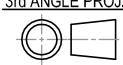


STOCK NO:	CABLE LENGTH	CONNECTOR
QSH00388	10 ft.	NO
QSH00823	6 in.	YES

**DSPM Industria**  
sensori & trasduttori

Tel +39 02 48 009 757 Fax +39 02 48 002 070

Via Paolo Uccello 4 - 20148 Milano  
info@dspmindustria.it www.dspmindustria.it

MATERIAL: —	<h1>OUTLINE DRAWING</h1>	This drawing is submitted solely for the information and exclusive use of the original addressee. It is not to be divulged in whole or in part, by any firm or individual without written permission from: <b>FUTEK</b> ADVANCED SENSOR TECHNOLOGY, INC.
HEAT TREATMENT - FINISH: —		
REVISIONS: (Refer to dwg # revision sheet) △ -	STANDARD NOTES: (Unless Otherwise Specified) · ALL DIMENSIONS ARE IN INCHES · DRAWING INTERPRETATION DIMS. PER ASME-Y14.5M · REMOVE BURRS AND BREAK SHARP EDGES .005 - .015 · THREADS PER HANDBOOK H-28 · DIMENSIONS ARE SHOWN AFTER PLATING	<b>CAGE: 1X8M6</b>
	ANGLE: ±1/2° CHAMFER: ±5° TOLERANCE: .X ±0.1 .XX ±0.01 .XXX ±0.005	MODEL: <b>QLA199</b> DWG No.: <b>FO1151</b>
		DRAWN BY: <b>H. AU</b> CHECKED BY: <b>-</b>
		APPROVED BY: <b>R. WALKER</b> DATE: <b>AUG. 28, 2006</b>