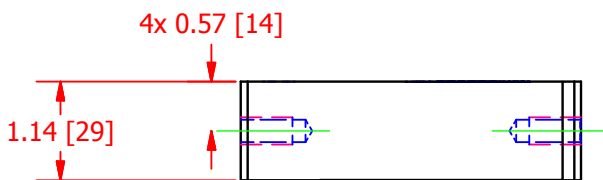
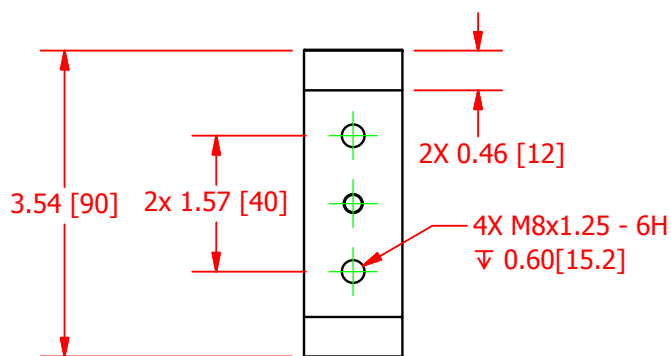
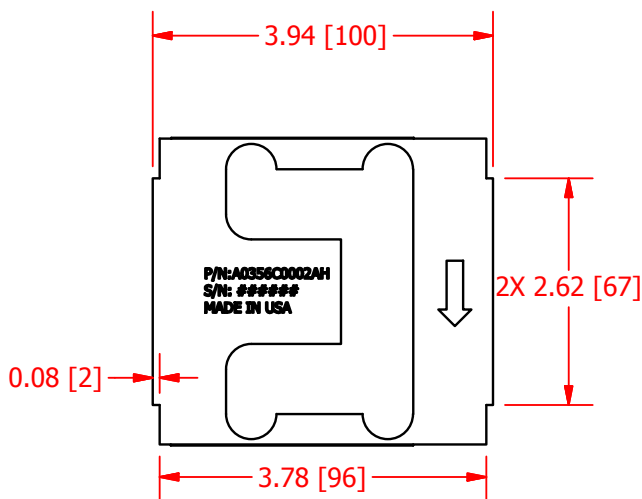
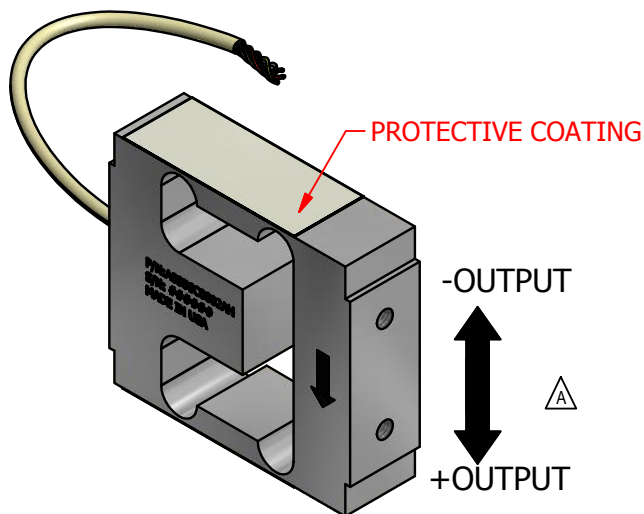


FUTEK MODEL QLA361

Parallel Beam Load Cell

ITEM NUMBER: QSH01629

INCH [mm]		R.O.= Rated Output	
WIRING CODE			
+Excitation	-Excitation	+Signal	-Signal
WHITE	GREEN	RED	BLACK
Shield			
Floating			



SPECIFICATIONS:

RATED OUTPUT	2 mV/V <i>nom.</i>
CAPACITY	10 kg [22 lb]
SAFE OVERLOAD	150% of R.O.
ZERO BALANCE	±2% of R.O.
EXCITATION (VDC OR VAC)	10 MAX
BRIDGE RESISTANCE	350 Ω <i>nom</i>
NONLINEARITY	±0.05% of R.O.
HYSTERESIS	±0.05% of R.O.
NONREPEATABILITY	±0.01% of R.O.
TEMP. SHIFT ZERO	±0.01% of R.O./°F (±0.018 of R.O./°C)
TEMP. SHIFT SPAN	±0.01% of LOAD/°F (±0.018 of LOAD/°C)
COMPENSATED TEMP.	60 to 160 °F (16 to 71 °C)
OPERATING TEMP	0 to 160 °F (-18 to 71 °C)
WEIGHT (approx)	1 lb
MATERIAL	Aluminum
CABLE: 24 Awg, 4 Conductor Braided Shielded PVC Cable, 11 in Long	

DSPM Industria
sensori & trasduttori

Via Paolo Uccello 4 - 20148 Milano
Tel +39 02 48 009 757 Fax +39 02 48 002 070
info@dspmindustria.it www.dspmindustria.it

CUSTOMER APPROVAL- COMPANY:

CUSTOMER APPROVAL- NAME / DATE:

REVISIONS: (Refer to dwg # revision sheet)

A	5/1/13
---	--------

OUTLINE DRAWING

STANDARD NOTES: (Unless Otherwise Specified)
ALL DIMENSIONS ARE IN INCHES
DRAWING INTERPRETATION DIMS. PER ASME-Y14.5M
REMOVE BURRS AND BREAK SHARP EDGES .005 - .015
THREADS PER HANDBOOK H-28
DIMENSIONS ARE SHOWN AFTER PLATING

3rd ANGLE PROJ.



ANGLE:
± 1/2

CHAMFER:
± 5

TOLERANCE:
.X ± 0.1"
.XX ± 0.01"
.XXX ± 0.005"

This drawing is submitted solely for the information and exclusive use of the original addressee. It is not to be divulged in whole or in part, by any firm or individual without written permission from:

FUTEK
ADVANCED SENSOR TECHNOLOGY, INC.

MODEL: **QLA361**

DWG No.: **FO1328-A**

DRAWN BY: *E. Pano*

CREATED DATE: *9/13/2012*

APPROVED BY: *R. Walker*

APPROVED DATE: *9/18/2012*

CHECKED BY:

CAGE: 1X8M6 SHEET: 1 OF 1