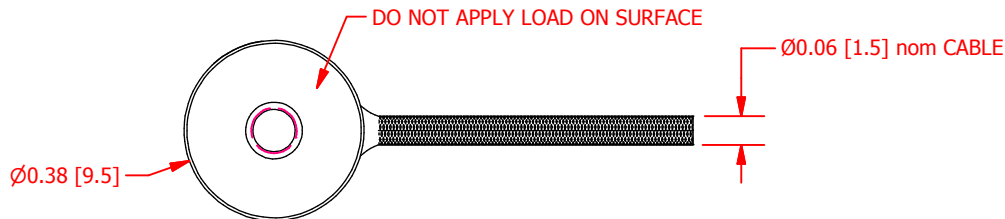
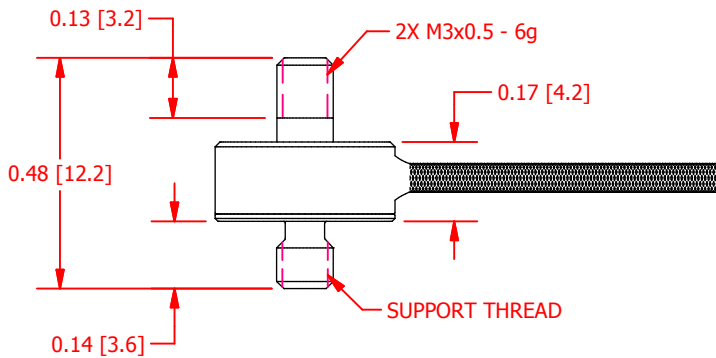
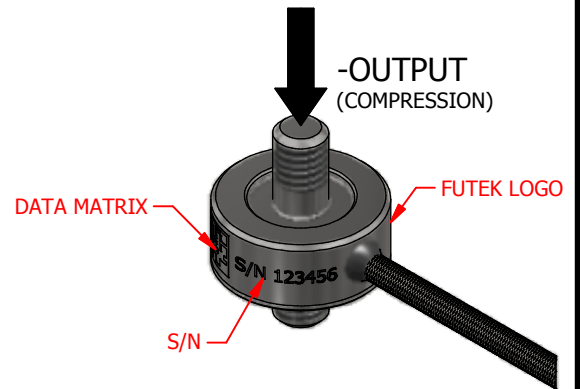
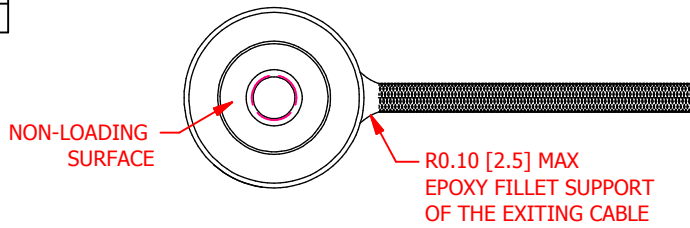


# FUTEK MODEL QLA381

# SUBMINIATURE, THREADED, COMPRESSION LOAD CELL

ITEM NUMBER: QSH01833

INCH [mm]		R.O.= Rated Output	
WIRING CODE			
+ Excitation	- Excitation	+ Signal	- Signal
RED	BLACK	GREEN	WHITE
Shield			
GROUNDED			



**SPECIFICATIONS:**

CAPACITY	1000 g
RATED OUTPUT	1 mV/V nom.
SAFE OVERLOAD	150% of R.O.
ZERO BALANCE	±6% of R.O.
EXCITATION (VDC OR VAC)	12 MAX
BRIDGE RESISTANCE	1000 Ω nom.
NONLINEARITY	±0.5% of R.O.
HYSTERESIS	±0.5% of R.O.
NONREPEATABILITY	±0.1% of R.O.
TEMP. SHIFT ZERO	±0.01% of R.O./°F (±0.018 of R.O./°C)
TEMP. SHIFT SPAN	±0.01% of LOAD/°F (±0.018 of LOAD/°C)
COMPENSATED TEMP.	60 to 160 °F (16 to 71 °C)
OPERATING TEMP.	-60 to 200 °F (-51 to 93 °C)
WEIGHT (approx)	0.3 oz [8.5 g]
MATERIAL	17-4 PH.S.S.
IP RATING	IP 64
CABLE: #34 Avg 4 Conductor Braided Shielded Cable, 5 ft [1.5 m] Long	
CALIBRATION	Com

**DSPM Industria\***  
sensori & trasduttori

Via Paolo Uccello, 4 20148 Milano  
Tel +39 02 48 009 757 Fax +39 02 48 002 070  
info@dspmindustria.it www.dspmindustria.it

CUSTOMER APPROVAL- COMPANY:

## OUTLINE DRAWING

*This drawing is submitted solely for the information and exclusive use of the original addressee. It is not to be divulged in whole or in part, by any firm or individual without written permission from:*

**FUTEK**  
ADVANCED SENSOR TECHNOLOGY, INC.

CUSTOMER APPROVAL- NAME / DATE:

STANDARD NOTES: (Unless Otherwise Specified)

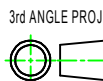
REVISIONS: (Refer to dwg # revision sheet)

ALL DIMENSIONS ARE IN INCHES  
DRAWING INTERPRETATION DIMS. PER ASME-Y14.5M  
REMOVE BURRS AND BREAK SHARP EDGES .005 - .015  
THREADS PER HANDBOOK H-28  
DIMENSIONS ARE SHOWN AFTER PLATING

ANGLE:  
± 1/2°

CHAMFER:  
± 5°

TOLERANCE:  
.X ± 0.1"  
.XX ± 0.01"  
.XXX ± 0.005"



MODEL: <b>QLA381</b>	DWG No.: <b>FO1418</b>
DRAWN BY: M. Lisiak	CREATED DATE: 2/2/2016
APPROVED BY: R. Walker	APPROVED DATE: 2/3/2016
CHECKED BY:	CAGE: 1X8M6 SHEET: 1 OF 1