

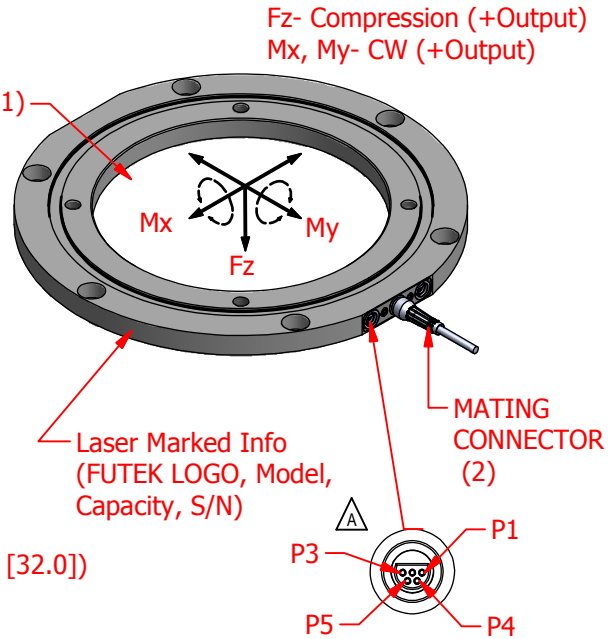
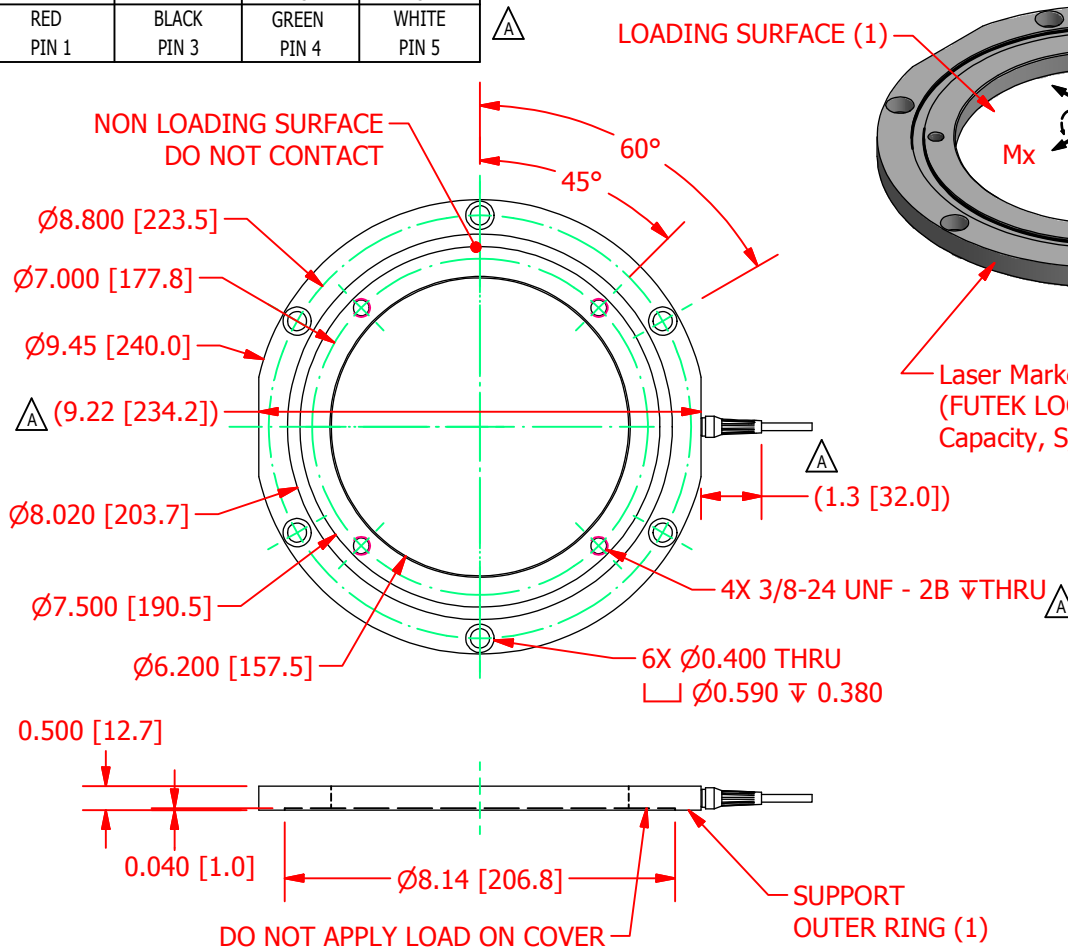
FUTEK MODEL QMA141

Custom High Temperature, Tri Axial Sensor

ITEM NUMBER: QSH01877

INCH [mm] | R.O.= Rated Output

| WIRING CODE | | | |
|--------------|----------------|----------------|----------------|
| + Excitation | - Excitation | + Signal | - Signal |
| RED PIN 1 | BLACK PIN 3 | GREEN PIN 4 | WHITE PIN 5 |



SPECIFICATIONS:

| | |
|-------------------------|---------------------------------------|
| RATED OUTPUT | 1 mV/V nom (Fz), 0.5 mV/V nom (Mx,My) |
| CAPACITY | 6000 lb (Fz), 6000 in-lb (Mx,My) |
| SAFE OVERLOAD | 300 % of R.O. |
| EXCITATION (VDC OR VAC) | 10 Max |
| BRIDGE RESISTANCE | 700 Ohm (Fz), 350 Ohm (Mx,My) |
| NONLINEARITY | ±1% of R.O.(Fz), ±2% of R.O. (Mx,My) |
| NONREPEATABILITY | ±0.5% of R.O. |
| TEMP. SHIFT ZERO | ±0.01% of R.O./°F (±0.018 of R.O./°C) |
| TEMP. SHIFT SPAN | ±0.02% of LOAD/°F (±0.036 of LOAD/°C) |
| COMPENSATED TEMP. | 60 to 250 °F (16 to 121 °C) |
| OPERATING TEMP | 0 to 350 °F (-18 to 177 °C) |
| MATERIAL | 17-4 PH S.S. |
| DEFLECTION | 0.0005 [0.013] nom. |

3x CONNECTOR: 4 Socket High Temperature, Environmentally Sealed when mated to Mating Connector.

NOTES:

1) FOR OPTIMAL PERFORMANCE CUSTOMER MATING SURFACES TO BE FLAT WITHIN 0.0005" [0.013]

2) QSH01893 MATING CONNECTOR WITH 15 FT CABLE SOLD SEPERATELY.

DSPM Industria*
sensori & trasduttori

Via Paolo Uccello 4 - 20148 Milano

Tel +39 02 48 009 757 Fax +39 02 48 002 070 info@dspmindustria.it www.dspmindustria.it

CUSTOMER APPROVAL- COMPANY:

CUSTOMER APPROVAL- NAME / DATE:

REVISIONS: (Refer to dwg # revision sheet)

| A | 2-3-17 |
|---|--------|
| | |

OUTLINE DRAWING

STANDARD NOTES: (Unless Otherwise Specified)

ALL DIMENSIONS ARE IN INCHES
DRAWING INTERPRETATION DIMS. PER ASME-Y14.5M
REMOVE BURRS AND BREAK SHARP EDGES .005 - .015
THREADS PER HANDBOOK H-28
DIMENSIONS ARE SHOWN AFTER PLATING

3rd ANGLE PROJ.



ANGLE:
± 1/2°

CHAMFER:
± 5°

TOLERANCE:
.X ± 0.1"
.XX ± 0.01"
.XXX ± 0.005"

This drawing is submitted solely for the information and exclusive use of the original addressee. It is not to be divulged in whole or in part, by any firm or individual without written permission from:

FUTEK
ADVANCED SENSOR TECHNOLOGY, INC.

| | |
|------------------------|---------------------------|
| MODEL: QMA141 | DWG No.: FO1438 |
| DRAWN BY: R. Walker | CREATED DATE: 12/14/2016 |
| APPROVED BY: J. Vargas | APPROVED DATE: 12/16/2016 |
| CHECKED BY: | CAGE: 1X8M6 SHEET: 1 OF 1 |