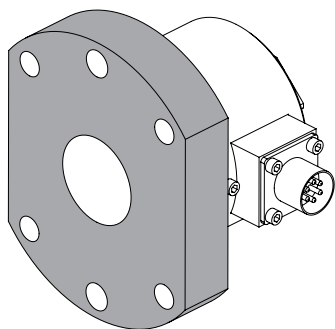
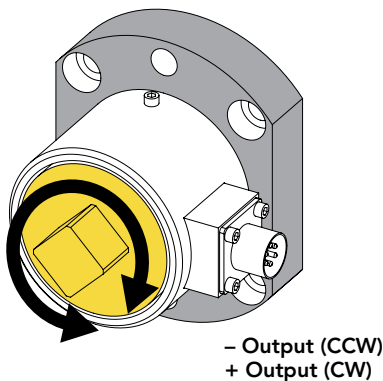




### FEATURES

- Easily integrates into OEM applications
- Designed for Torque auditing
- Stainless-steel construction
- Strain gauge based

- Active end
- Fixed end



### SPECIFICATIONS

#### PERFORMANCE

Nonlinearity	±0.1% of RO
Hysteresis	±0.1% of RO
Nonrepeatability	±0.2% of RO

#### ELECTRICAL

Rated Output (RO)	2 mV/V nom
Excitation (VDC or VAC)	20 max
Bridge Resistance	700 Ohm nom
Connection	6 Pin BENDIX Receptacle (PT02E-10-6P)
Wiring Code	CC1/CC1T

#### MECHANICAL

Weight (approximate)	46 oz [1.3 kg]
Safe Overload	150% of RO
Material	17-4 PH stainless-steel (flexure) Red anodized aluminum (cover)
IP Rating	IP40

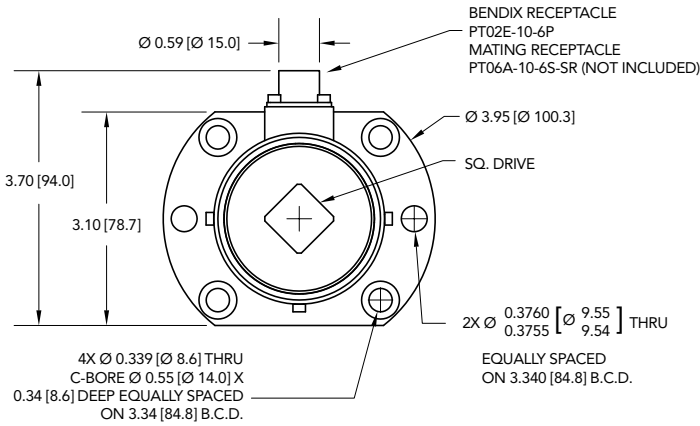
#### TEMPERATURE

Operating Temperature	-60 to 200°F (-50 to 93°C)
Compensated Temperature	60 to 160°F (15 to 72°C)
Temperature Shift Zero	±0.002% of RO/°F (0.0036% of RO/°C)
Temperature Shift Span	±0.002% of Load/°F (0.0036% of Load/°C)

#### CALIBRATION

Calibration Test Excitation	10 VDC
Calibration (standard)	5-pt CW
Calibration (available)	5-pt CW & CCW
Shunt Calibration Value	100 kOhm

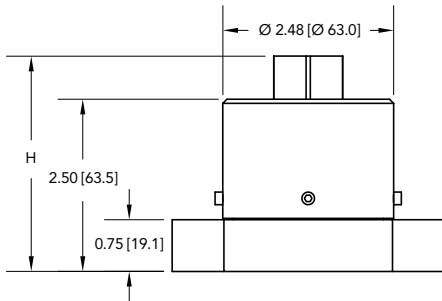
**DIMENSIONS** inches [mm]



**CAPACITIES**

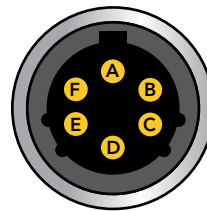
ITEM #	in-lb	Nm	H	Square Drive	Torsional Stiffness in-lb/rad
FSH04069	1200	150	3.12 [79.4]	1/2"	3.22 X 10 <sup>5</sup>
FSH04070	2400	300			6.00 X 10 <sup>5</sup>
FSH04071	6000	700	3.43 [87.1]	3/4"	1.70 X 10 <sup>6</sup>

**Note:** For lower capacities, refer to models TDF400



**BENDIX 6-PIN**

PIN	COLOR	DESCRIPTION	TEDS DESCRIPTION
A	Red	+ Excitation	+ Excitation
B	Black	- Excitation	- Excitation
C	Green	+ Signal	+ Signal
D	White	- Signal	- Signal
E	Orange	+ Sense	TEDS Data
F	Blue	- Sense	TEDS Ground



Sensor Receptacle View

Drawing Number: F11472

FUTEK reserves the right to modify its design and specifications without notice.

www.futek.com

