

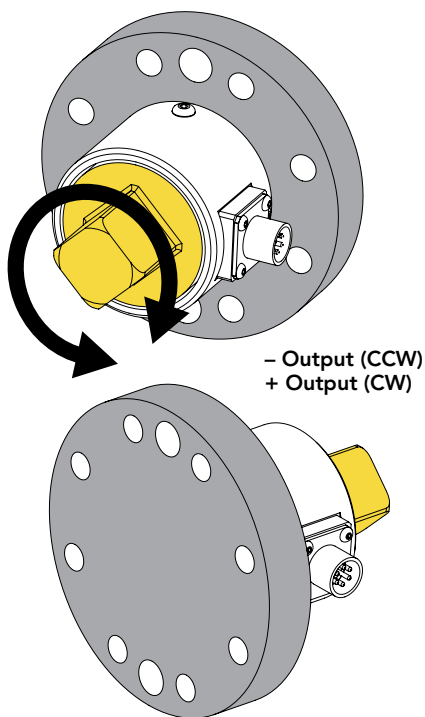




FEATURES

- Easily integrates into OEM applications
- Designed for Torque auditing
- Stainless-steel construction
- Strain gauge based

-  Active end
-  Fixed end



SPECIFICATIONS

PERFORMANCE

Nonlinearity	±0.1% of RO
Hysteresis	±0.1% of RO
Nonrepeatability	±0.2% of RO

ELECTRICAL

Rated Output (RO)	2 mV/V nom
Excitation (VDC or VAC)	20 max
Bridge Resistance	700 Ohm nom
Connection	6 Pin BENDIX Receptacle (PT02H-10-6P)
Wiring Code	CC1/CC1T

MECHANICAL

Weight (approximate)	80 oz [2.3 kg]
Safe Overload	150% of RO
Material	17-4 PH stainless-steel (flexure) Aluminum (cover)
IP Rating	IP40

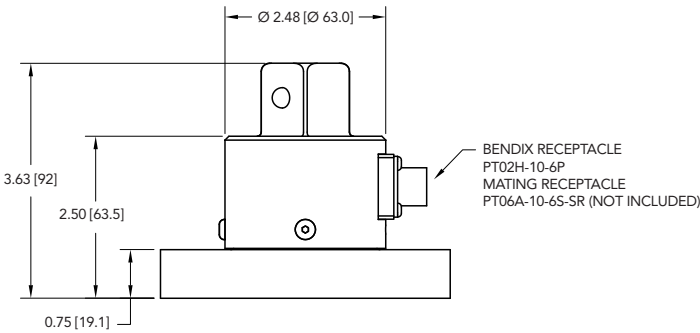
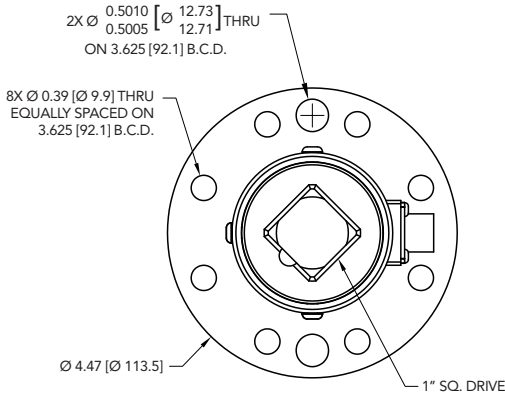
TEMPERATURE

Operating Temperature	-60 to 200°F (-50 to 93°C)
Compensated Temperature	60 to 160°F (15 to 72°C)
Temperature Shift Zero	±0.002% of RO/°F (0.0036% of RO/°C)
Temperature Shift Span	±0.002% of Load/°F (0.0036% of Load/°C)

CALIBRATION

Calibration Test Excitation	10 VDC
Calibration (standard)	5-pt CW
Calibration (available)	5-pt CW & CCW
Shunt Calibration Value	100 kOhm

DIMENSIONS inches [mm]

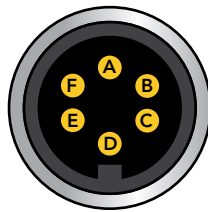


CAPACITIES

ITEM #	in-lb	Nm	Square Drive	Torsional Stiffness in-lb/rad
FSH04073	24000	2712	1"	3.60 X 10 ⁶

BENDIX 6-PIN (CC1/CC1T)

PIN	COLOR	DESCRIPTION	TEDS DESCRIPTION
A	Red	+ Excitation	+ Excitation
B	Black	- Excitation	- Excitation
C	Green	+ Signal	+ Signal
D	White	- Signal	- Signal
E	Orange	+ Sense	TEDS Data
F	Blue	- Sense	TEDS Ground



Sensor Receptacle View

Drawing Number: F11474

FUTEK reserves the right to modify its design and specifications without notice.

www.futek.com



U.S. Manufacturer