

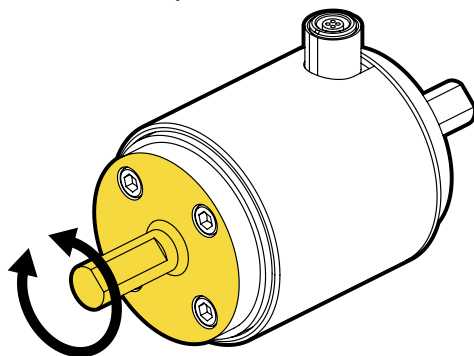


FEATURES

- Easily integrates into OEM applications
- Designed for Torque auditing
- Aluminum construction
- Built-in overload protection on lower ranges
- Strain gauge based
- Easy cable disconnect

Active end

- Output (CCW)
+ Output (CW)



SPECIFICATIONS

PERFORMANCE

Nonlinearity	±0.2% of RO
Hysteresis	±0.2% of RO
Nonrepeatability	±0.05% of RO

ELECTRICAL

Rated Output (RO)	1 mV/V nom (5 in-oz) 2 mV/V nom (10 in-oz to 500 in-lb)
Excitation (VDC or VAC)	18 max
Bridge Resistance	350 Ohm nom (5 to 1000 in-oz) 700 Ohm nom (100 to 500 in-lb)
Connection	4 Pin LEMO® Receptacle (EGG.0B.304.CLL)
Wiring Code	CC4

MECHANICAL

Weight (approximate)	9 oz [250 g]
Safe Overload	300% of RO (5 to 400 in-oz) 150% of RO (1000 in-oz to 500 in-lb)
Material	Aluminum
IP Rating	IP40

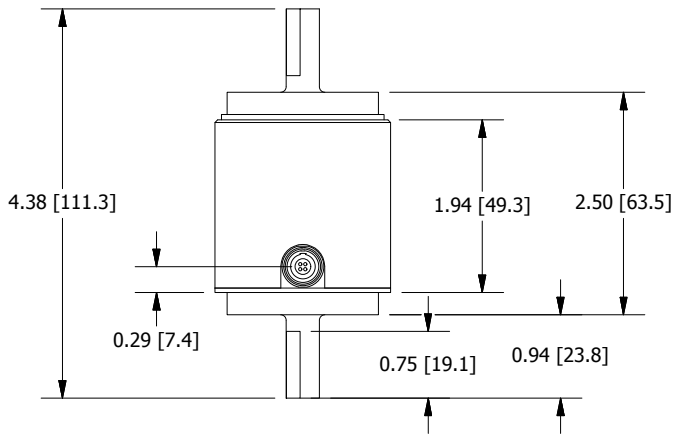
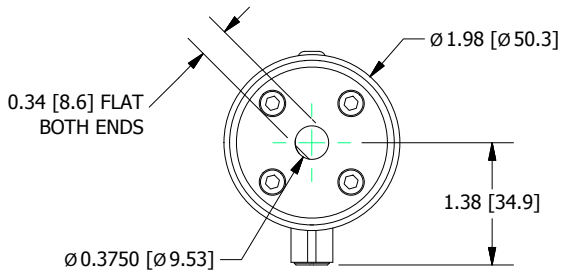
TEMPERATURE

Operating Temperature	-60 to 200°F (-50 to 93°C)
Compensated Temperature	60 to 160°F (15 to 72°C)
Temperature Shift Zero	±0.002% of RO/°F (0.0036% of RO/°C)
Temperature Shift Span	±0.002% of Load/°F (0.0036% of Load/°C)

CALIBRATION

Calibration Test Excitation	10 VDC
Calibration (standard)	5-pt CW
Calibration (available)	5-pt CW & CCW
Shunt Calibration Value	60.4 kOhm (10 to 1000 in-oz) 100 kOhm (5 in-oz, 100 to 500 in-lb)

DIMENSIONS inches [mm]



CAPACITIES

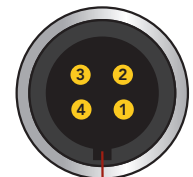
ITEM #	in-oz	Nm	Torsional Stiffness in-oz/rad
FSH04358	5*	0.04	560
FSH04359	10*	0.07	560
FSH04360	50*	0.35	4200
FSH04361	160*	1.1	21000
FSH04362	400*	2.8	62400
FSH04363	1000*	7.0	211900
FSH04364	100 in-lb	11	36400 in-lb/rad
FSH04365	200 in-lb	22	61400 in-lb/rad
FSH04366	500 in-lb	56	122000 in-lb/rad

* With overload protection

Note: For higher capacities, refer to models TFF600 and TDF600-675

LEMO 4-PIN

PIN	COLOR	DESCRIPTION
1	Red	+ Excitation
2	Green	+ Signal
3	White	- Signal
4	Black	- Excitation



Align with key

Sensor Receptacle
View

Drawing Number: FI1495

FUTEK reserves the right to modify its design and specifications without notice.

