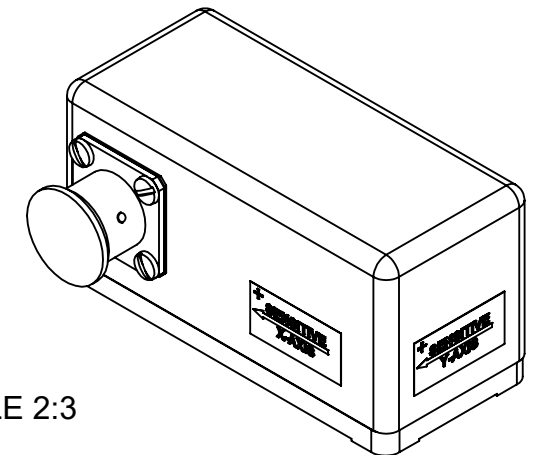
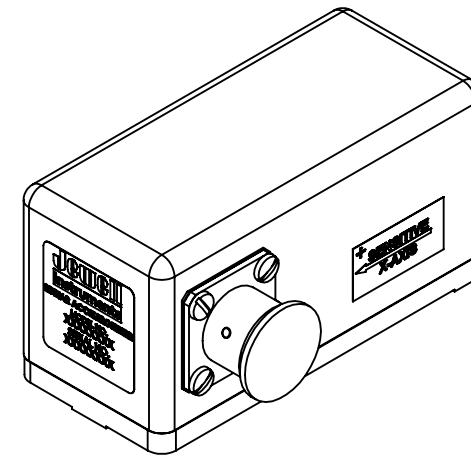
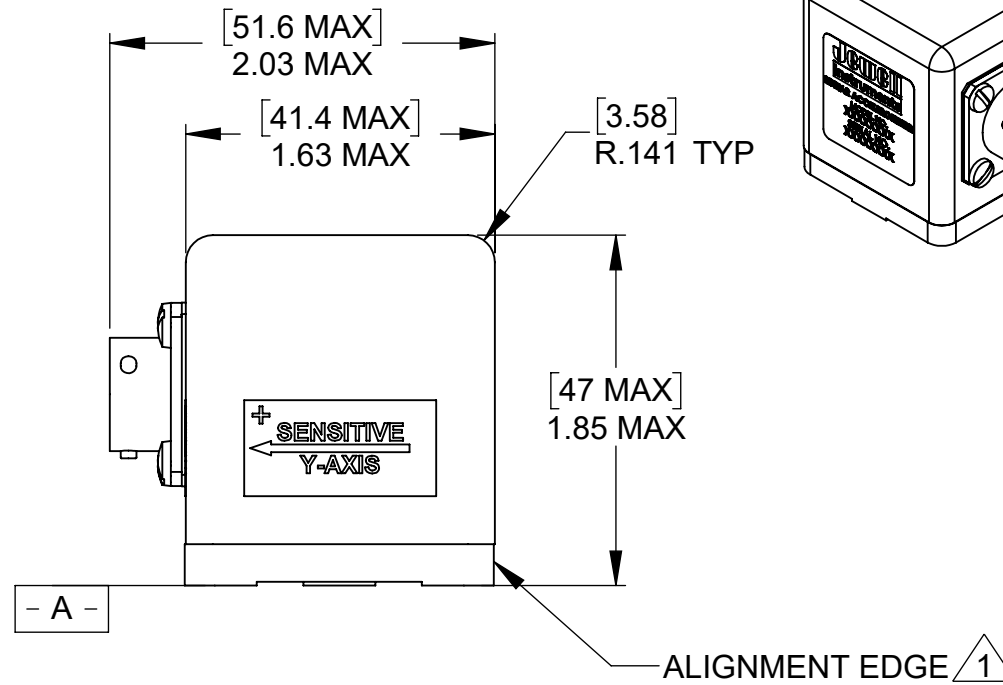
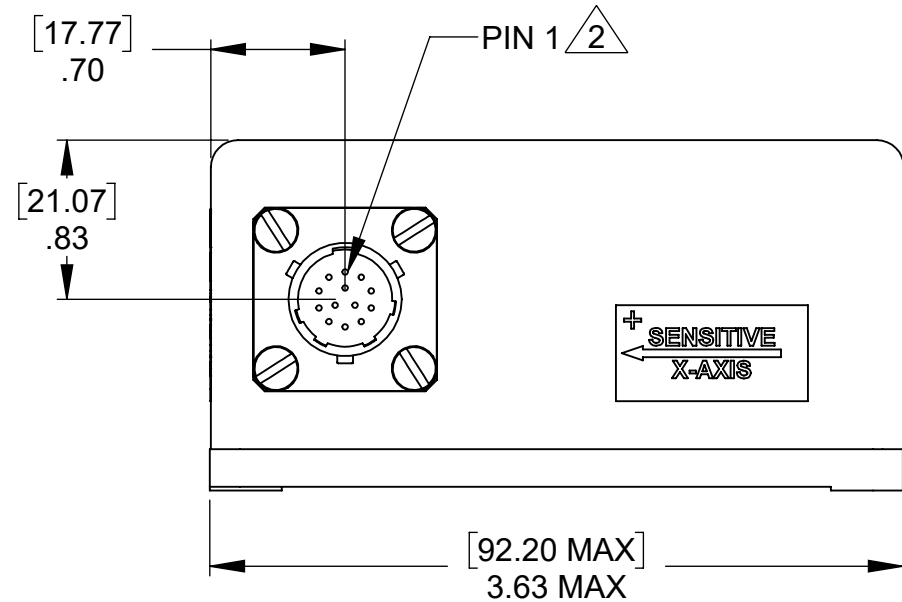


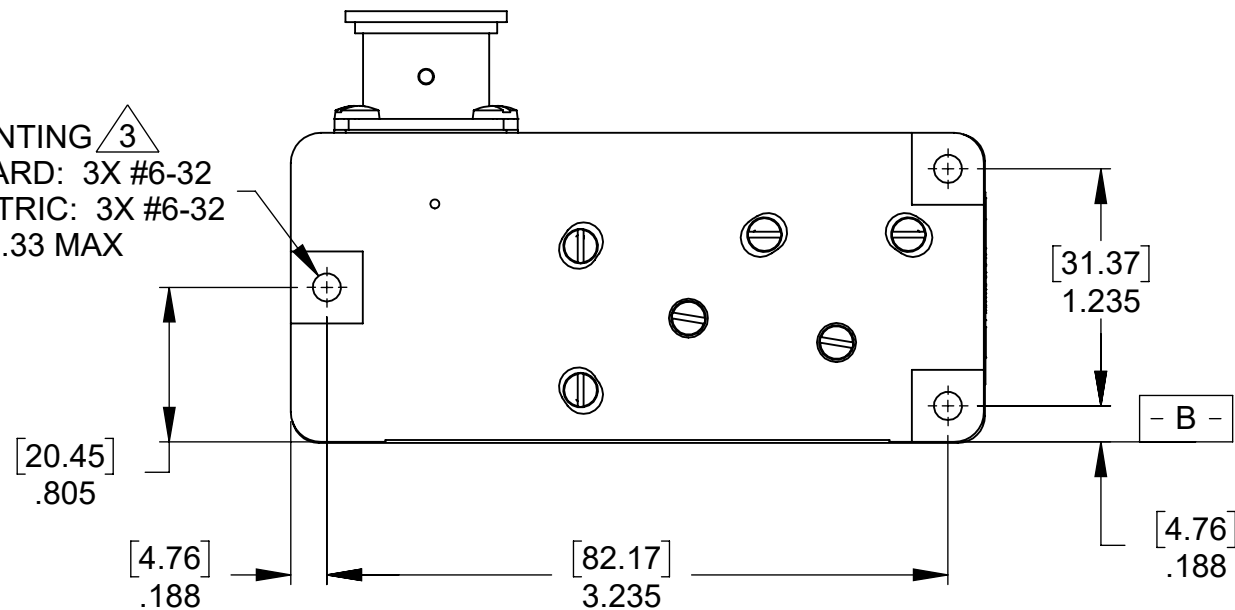
NOTES:

1. ALIGNMENT EDGE SHOULD BE NO HIGHER THAN .19 [4.8] TO AVOID INTERFERENCE WITH COVER.
2. CONNECTOR IS MS27476Y10D35P, MATES WITH MS27473T10B35S.
3. DATUM **- A -** AND **- B -** ARE DEFINED AS REFERENCE SURFACES.
4. DIMENSIONS ARE $\frac{[mm]}{INCH}$



SCALE 2:3

MOUNTING $\triangle 3$
STANDARD: 3X #6-32
METRIC: 3X #6-32
 $\downarrow .33$ MAX



DSPM Industria
sensori & trasduttori

Via Paolo Uccello 4 - 20148 Milano
Tel +39 02 48 009 757 Fax +39 02 48 002 070 info@dspmindustria.it www.dspmindustria.it

APPLICATION		DIMENSIONS ARE IN INCHES AND APPLY TO PART BEFORE FINISHING
USED ON	NEXT ASSY	TOLERANCE UNLESS SPECIFIED
		TWO PLACE DECIMALS (.00) $\pm .01$
		THREE PLACE DECIMALS (.000) $\pm .005$
		ANGLES $\pm 1^\circ$
		RAW MATL - COMMERCIAL STANDARD
MATERIAL		
FINISH		

Jewell Instruments

MANCHESTER, NH
TRIPLETT MODUTEC A&M EMICO

PROPRIETARY NOTICE
THIS DRAWING IS THE PROPERTY OF JEWELL INSTRUMENTS, LLC. NEITHER THIS DOCUMENT NOR THE DATA CONTAINED HEREIN SHALL BE DISCLOSED, REPRODUCED IN WHOLE OR IN PART WITHOUT THE WRITTEN AUTHORIZATION OF JEWELL INSTRUMENTS, LLC. NO RIGHT IS GRANTED TO DISCLOSE OR SO USE ANY INFORMATION CONTAINED HEREIN. ALL RIGHTS RESERVED.

CONNECTOR	
PIN	FUNCTION
DUAL SUPPLY	
1	+12 TO +18 VDC
2	-12 TO -18 VDC
3	POWER COMMON
4	X-AXIS OUTPUT SIGNAL
5	X-AXIS OUTPUT RETURN
6	Y-AXIS OUTPUT SIGNAL
7	Y-AXIS OUTPUT RETURN
8	TEMP OUT
9	N/C
10	N/C
11	N/C
12	N/C
13	N/C

TITLE	
LCF-2530 OUTLINE DRAWING	
DRAWING NO.	REV
OD468253-000	A
SCALE	CAGE CODE
1:1	33005
SHEET 1 OF 1	