

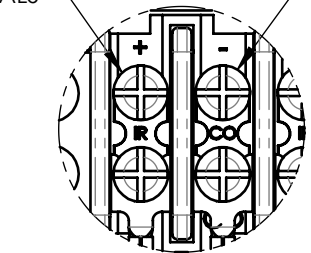
STOCK CODE	MODEL NUMBER	THERMOCOUPLE TYPE	THERMOCOUPLE EXTENSION WIRE LENGTH "L1" (METERS)	SHIELDING LENGTH "L2" (METERS)
007174	TCBS-J-3	J (-210° TO 1200°C)	3.0	2.9

SOLID MODEL AVAILABLE

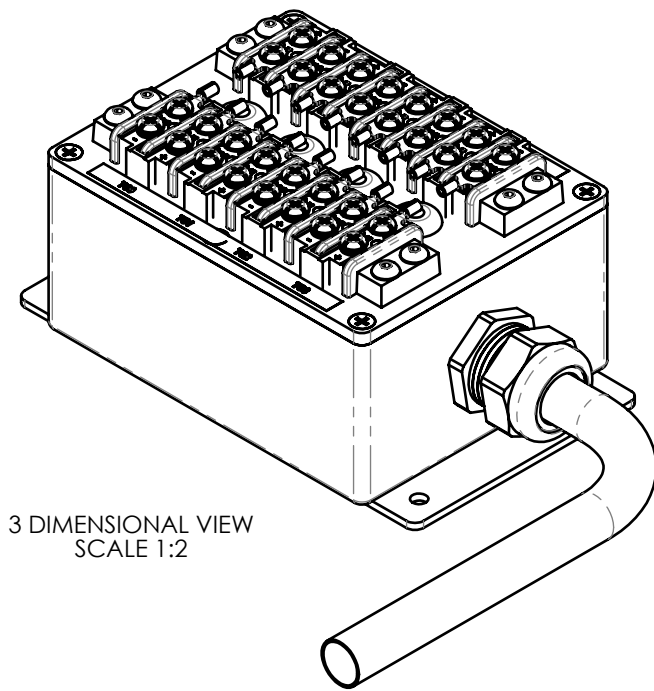
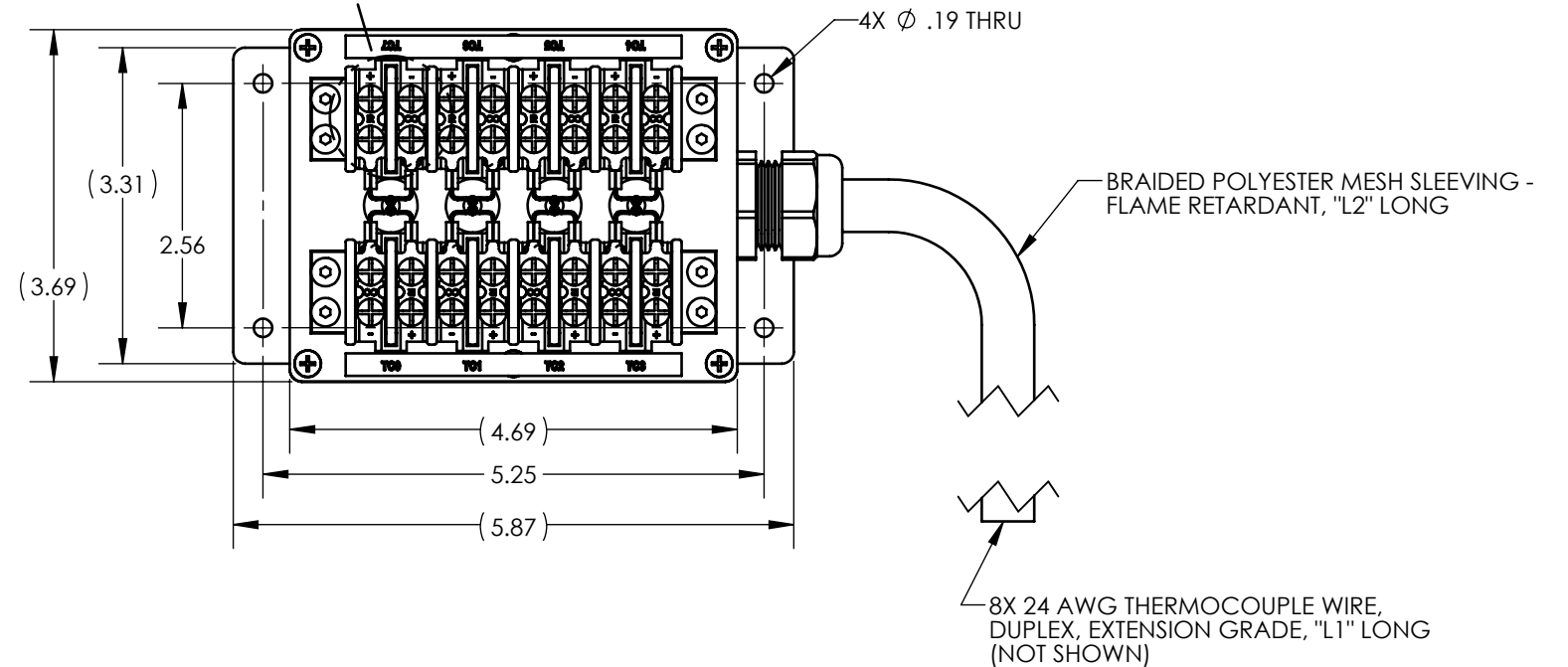
ORDERING INFORMATION:

TCBS-J-3	
• LENGTH OF EXTENSION WIRE (METERS):	3 = 3.0 METERS
• THERMOCOUPLE TYPE:	J = J-TYPE (-210° TO 1200°C) K = K-TYPE (-270° TO 1372°C) T = T-TYPE (-270° TO 400°C)
• THERMOCOUPLE CONNECTION BOX BARRIER STRIPS	

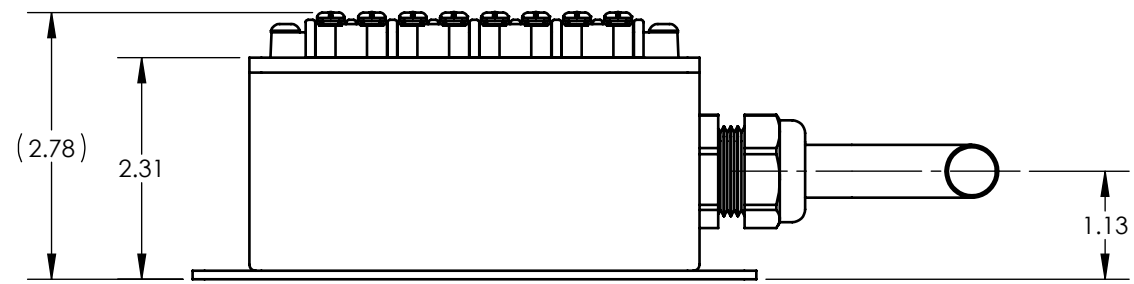
8X IRON TERMINALS 8X CONSTANTAN TERMINALS



DETAIL C
SCALE 1:1



3 DIMENSIONAL VIEW
SCALE 1:2



INSTALLATION DRAWING

MATERIAL:	DESIGN	AJC	11/11/14		MAGTROL INC.
	DRAWN	AJC	11/11/14		
FINISH:	CHECKED	JEF	11/26/14		
THIRD ANGLE PROJECTION	<small>UNLESS OTHERWISE SPECIFIED: DIMENSIONS ARE IN INCHES DIAMETERS CONCENTRIC: .003 TIR FACES PERPENDICULAR: .003 INTERPRETATION PER ASME Y14.5M-1994 REMOVE ALL BURRS AND BREAK SHARP EDGES .005/.010 X 45° INSIDE CORNERS TO BE R .02 MAX TOLERANCES: .XX ± .01 X/Y ± 1/64" .XXX ± .005 X° ± 1° SURFACE FINISH 125 RMS MAX</small>			<small>TITLE:</small> T/C BARRIER STRIP CONNECTION BOX	
<small>THIS DRAWING AND SPECIFICATION CONTAINS PROPRIETARY INFORMATION TO MAGTROL INC. ANY DISCLOSURE OR REPRODUCTION OF THIS DOCUMENT WITHOUT WRITTEN AUTHORIZATION FROM MAGTROL INC. IS EXPRESSLY PROHIBITED</small>				<small>USED ON: -</small> <small>SIMILAR TO: -</small> <small>DWG NO:</small>	
				<small>REV</small> TCBS	
				<small>SIZE</small> B	<small>SCALE</small> 1:2
				<small>SHEET #</small>	