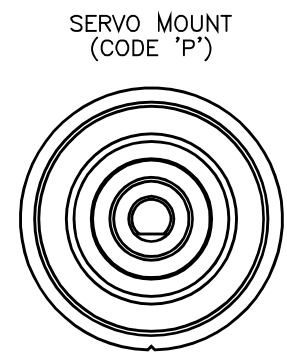
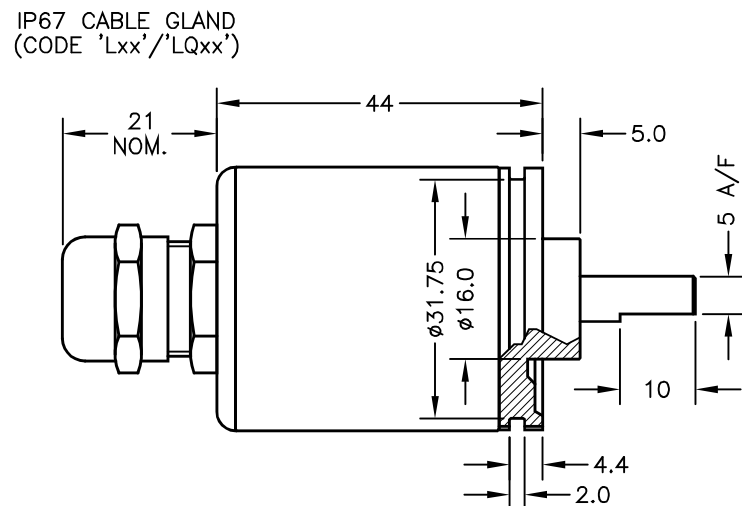
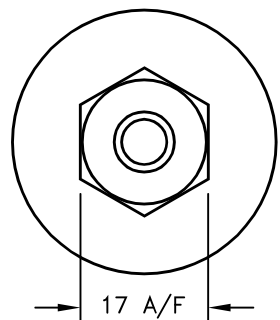
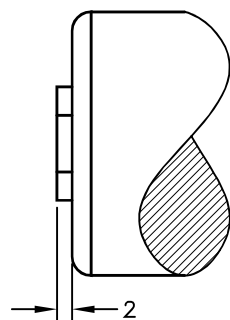
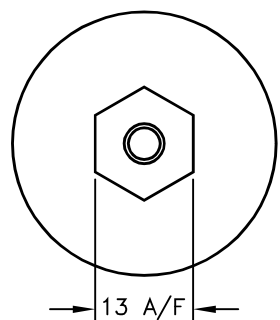


IP67 M12 CONNECTOR
IEC 60947-5-2
(CODE 'J')



IP67 SHORT CABLE GLAND
- AXIAL (CODE 'Mxx'/'MQxx')



ELECTRICAL OPTIONS/ SPECIFICATIONS

OUTPUT	SUPPLY
0.5 TO 4.5V RATIOMETRIC	5V
SUPPLY CURRENT	12mA TYP. 20mA MAX.

CABLE: 0.2mm², O/A SCREEN, PUR JACKET - SUPPLIED WITH 50cm OR REQUIRED LENGTH IN cm (15000cm MAX).
STANDARD 3-CORE: JACKET Ø4mm BLACK e.g. 'L50'
OPTIONAL 5-CORE: JACKET Ø4.6mm BLUE e.g. 'LQ50'

CABLE/CONNECTOR* CONNECTIONS;

3 CORE	5 CORE	CONNECTOR	
RED	RED	:1	+Ve
-	ORG	:1	+SENSE (5-WIRE ONLY)
BLACK	BLACK	:3	0V
-	GRY	:3	-SENSE (5-WIRE ONLY)
WHITE	WHITE	:2	OUTPUT
SCREEN	SCREEN	:4	BODY

*CONNECTORS; MAXIMUM CONDUCTOR CROSS SECTION 0.75mm²
RANGE OF DISPLACEMENT FROM 0-16° TO 0-160° e.g.76°, IN INCREMENTS OF 1°.

BODY MATERIAL:- STAINLESS STEEL.
FLANGE BASE MATERIAL:- STAINLESS STEEL.
SERVO MOUNT MATERIAL:- STAINLESS STEEL.

FURTHER OPTIONS:

SPRING RETURN (CODE 'N') AVAILABLE UP TO ±50°
CALIBRATED OUTPUT, PHYSICAL STOPS ±55°
NOTE STANDARD DEVICE HAS NO STOPS.

NOTE:- READ INSTALLATION SHEET E500-19 FOR FULL INSTRUCTIONS FOR USE.

ATEX / IECEx APPROVED TO
II 1GD
Ex ia IIC T4 Ga (Ta= -40° to +80°C)
Ex ia IIIC T135°C Da (Ta= -40° to +80°C)
Ui 11.4V, Ii 0.2A, Pi 0.51W

APPROVED FOR USE IN CONJUNCTION WITH A GALVANICALLY ISOLATED BARRIER.

NOTE: APPROVAL ONLY APPLIES AT NORMAL ATMOSPHERIC PRESSURE!

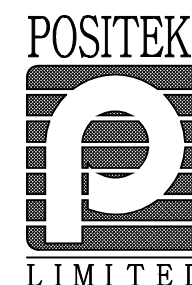
C	ii 0.2A WAS 0.46A - RAN266	PDM
D	ADDITIONAL DIMS/VIEWS ADDED.	PDM
E	DISP. 16 TO 160° WAS 20 TO 160° RAN442	PDM
F	APPROVAL STANDARDS UPDATED - RAN465.	PDM
G	5-CORE OPTION ADDED ~ RAN1102	PDM
H	OPTION 'M' ADDED ~ RAN1166, RANGE NOTE AMENDED ~ RAN1200	PDM



DRAWINGS NOT TO BE CHANGED WITHOUT REFERENCE TO THE CHANGE PROCEDURE. CHANGES TO PARTS USED IN INTRINSICALLY SAFE PRODUCT MUST BE APPROVED BY THE AUTHORISED PERSON
THIS IS AN UNCONTROLLED PRINT AND WILL NOT BE UPDATED.

DSPM Industria
sensori & trasduttori

Via Paolo Uccello 4 - 20148 Milano
Tel +39 02 48 009 757 Fax +39 02 48 002 070 info@dspmindustria.it www.dspmindustria.it



C	21/04/10		CHECKED BY	X ±0.4
D	06/07/11		RDS	X.X ±0.2
E	07/11/13			X.XX ±0.1
				DIMS mm
F	11/03/14	DESCRIPTION		
G	26/04/17	E500 INTRINSICALLY SAFE		
H	11/09/17	ROTARY SENSOR		
SCALE		DRAWING NUMBER		REV
10mm		E500-11		H
		SHEET		OF
		1		1