

N.b. CONNECTOR ORIENTATION NOT GUARANEED.

ELECTRICAL OPTIONS/ SPECIFICATIONS

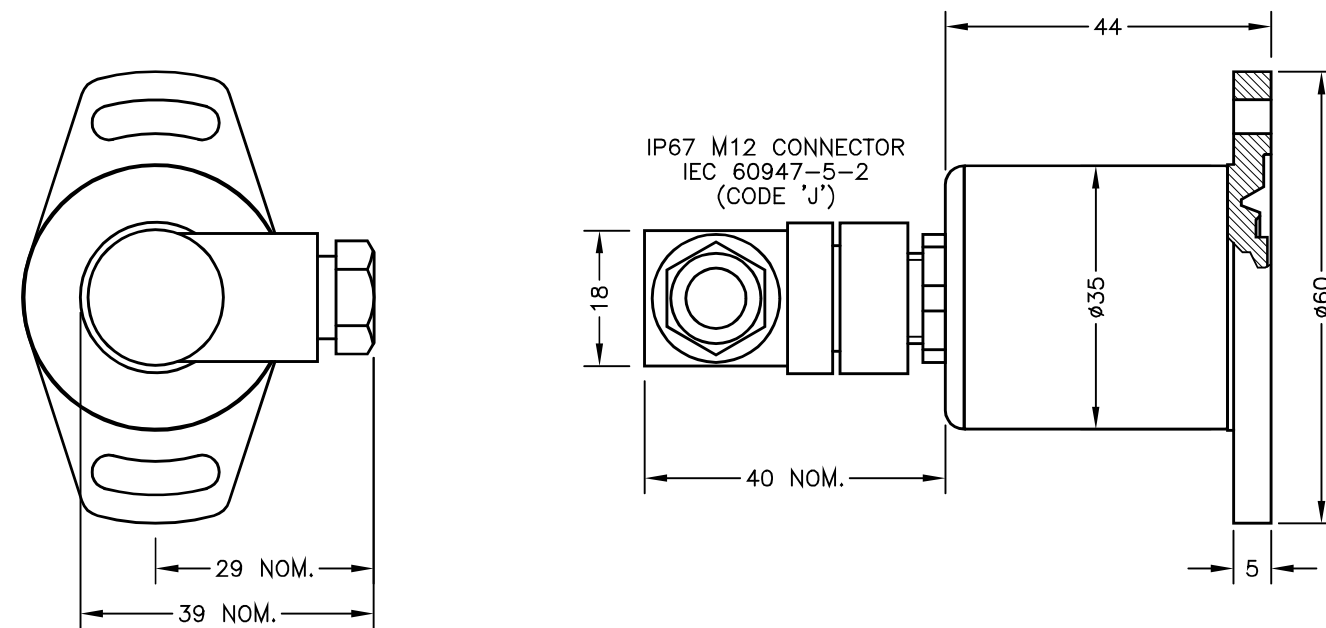
OUTPUT	SUPPLY
0.5 TO 4.5V RATIOMETRIC	5V
SUPPLY CURRENT 12mA TYP. 20mA MAX.	

CONNECTOR (MAXIMUM CONDUCTOR CROSS SECTION 0.75mm<sup>2</sup>)

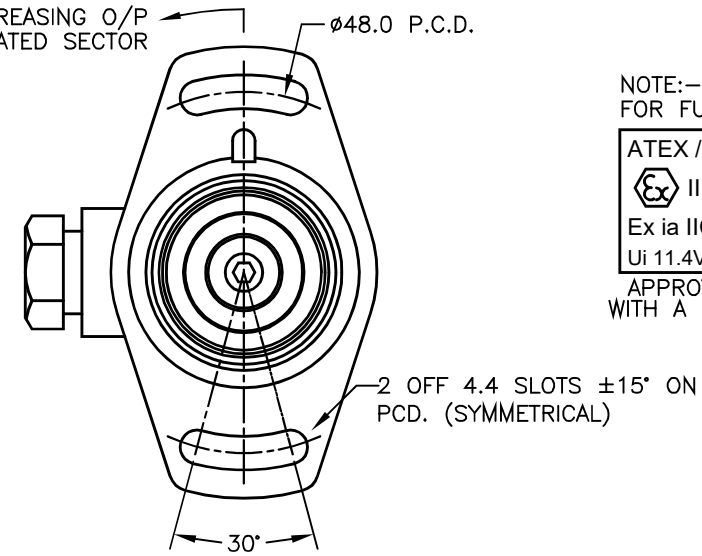
:1	+Ve
:2	OUTPUT
:3	0V
:4	BODY

RANGE OF DISPLACEMENT FROM 0-15° TO 0-160° e.g.76°, IN INCREMENTS OF 1°.

BODY MATERIAL:- STAINLESS STEEL.  
FLANGE BASE MATERIAL:- STAINLESS STEEL.



MID TRAVEL, ±5°, WITH REFERENCE MARK IN BASE IN VERTICAL POSITION.  
INCREASING O/P CALIBRATED SECTOR



NOTE:- READ INSTALLATION SHEET X603-19 FOR FULL INSTRUCTIONS FOR USE.

ATEX / IECEx APPROVED TO  
 II 1G  
 Ex ia IIC T4 Ga (Ta= -40° to +80°C)  
 Ui 11.4V, Ii 0.2A, Pi 0.51W  
 APPROVED FOR USE IN CONJUNCTION WITH A GALVANICALLY ISOLATED BARRIER.

H	APPROVAL STANDARDS UPDATED - RAN465,
J	REGISTRATION MARK CORRECTED RAN490. PDM
J	RANGE NOTE AMENDED ~ RAN1200 PDM



DRAWINGS NOT TO BE CHANGED WITHOUT REFERENCE TO THE CHANGE PROCEDURE.  
CHANGES TO PARTS USED IN INTRINSICALLY SAFE PRODUCT MUST BE APPROVED BY THE AUTHORISED PERSON  
THIS IS AN UNCONTROLLED PRINT AND WILL NOT BE UPDATED.

H	14/0414		CHECKED BY	X ±0.4
J	13/09/17		RDS	X.X ±0.2 X.XX ±0.1 DIMS mm
		DESCRIPTION		
		X603 INTRINSICALLY SAFE LARGE ANGLE TILT SENSOR		
SCALE 10mm ↔		DRAWING NUMBER X603-11 REV J		
		SHEET 1 OF 1		