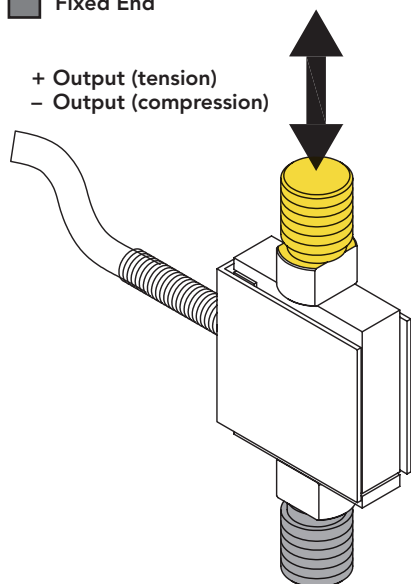




FEATURES

- Miniature size
- Notable nonlinearity
- Available in both Aluminum or Stainless Steel
- Built In Overload Protection

- Active end
- Fixed End



SPECIFICATIONS

PERFORMANCE

Nonlinearity	±0.1% of RO
Hysteresis	±0.1% of RO
Nonrepeatability	±0.05% of RO

ELECTRICAL

Rated Output (RO)	2 mV/V
Excitation (VDC)	10 max
Bridge Resistance	1000 Ohm nom (100, 250 g), 350 Ohm nom (1 lb – 100 lb)
Insulation Resistance	≥500 MOhm @ 50 VDC

Connection	#29 AWG, 4 conductor, spiral shielded silicone cable, 5 ft [1.5 m] long
------------	---

Wiring Code	WC1
-------------	-----

MECHANICAL

Weight	0.5 oz [14 g] (100 g–10 lb) 1.1 oz [31 g] (25–100 lb)
Safe Overload	1000% of RO (100 g–100 lb) 200% of RO tension only (50–100 lb)
Material	Aluminum (100 g–10 lb), Stainless-steel (25–100 lb)

IP Rating	IP40
-----------	------

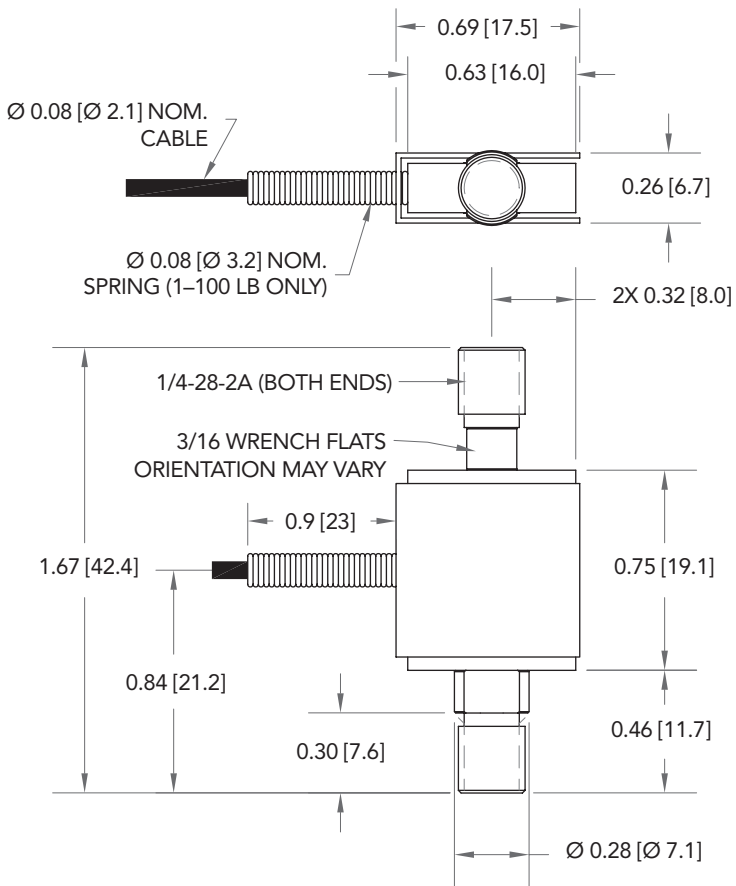
TEMPERATURE

Operating Temperature	-60 to 200°F [-50 to 93°C]
Compensated Temperature	60 to 160°F [15 to 72°C]
Temperature Shift Zero	±0.01% of RO/°F [0.018% of RO/°C]
Temperature Shift Span	±0.02% of Load/°F [0.036% of Load/°C]

CALIBRATION

Calibration Test Excitation	5 VDC
Calibration (standard)	5-pt Tension
Calibration (available)	5-pt Tension and Compression
Shunt Calibration Value	60.4 kOhm, 301 kOhm (100–250 g)

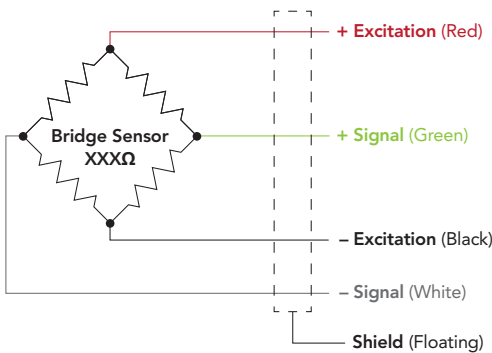
DIMENSIONS inches [mm]



CAPACITIES

ITEM #	lb	N	Deflection (in)	Natural Frequency (Hz)
FSH04351	5	22.2	0.005	1100
FSH04352	10	44.5	0.004	1700
FSH04353	25	111	0.004	2100
FSH04354	50	222	0.004	2700
FSH04355	100	445	0.005	3500

WC1 STANDARD 4 WIRE WITH SHIELD



Drawing Number: FI1477

FUTEK reserves the right to modify its design and specifications without notice.