

CLS1321

Linear Potentiometer

These high performance, high temperature linear potentiometers are designed for the most demanding control and measurement applications.

They are constructed from aluminum alloy and stainless steel for high strength and durability, yet are lightweight in design, making them ideal for motor racing, automotive and general industrial applications.

The sensors are sealed to IP66 as standard and feature fire and chemical resistant high temperature Raychem FDR-type55-24 signal cabling ensuring total system reliability. The physical design of these slim body linear potentiometers enables their survival in the severest of environmental conditions.

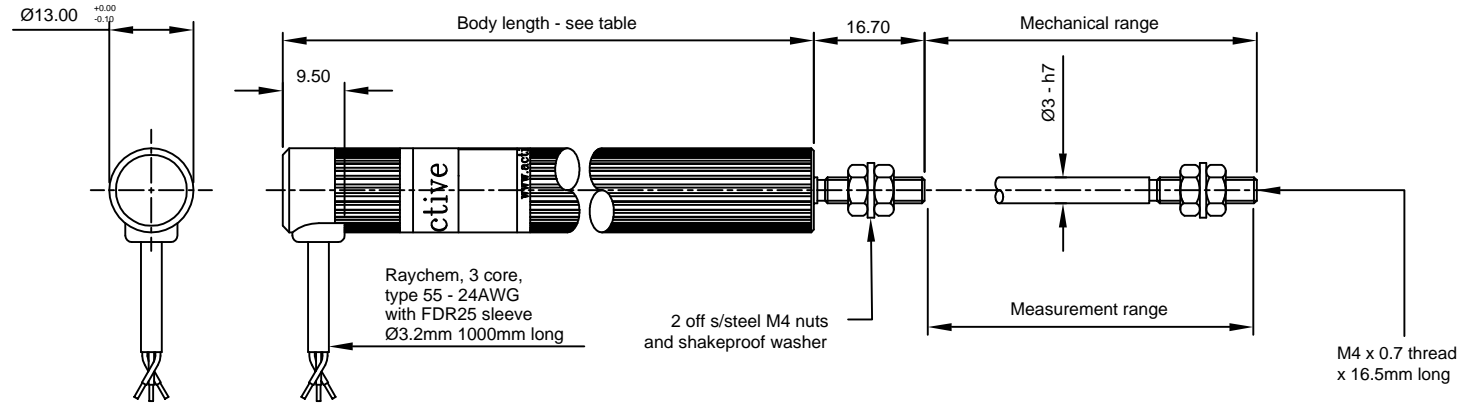
Other models in this range

- CLS0950 - Ultra slim and compact
- CLS1310 - Robust ultra compact
- CLS1322 - Rod end mounting
- CLS1323 - Spring loaded shaft
- CLS1324 - Extended shaft model (+25mm)
- CLS1325 - Extended shaft model (+50mm)
- CLS1326 - Threaded both ends of shaft
- CLS1328 - Extended shaft model (+41.5mm)
- CLS1920 - Robust medium stroke
- CLS3220 - Industrial long stroke

Higher temperature models also available
(Please contact technical sales)

**Active
sensors**

DSPM Industria
sensori & trasduttori



Electrical & Mechanical Information

Measurement range ($\pm 0.5\text{mm}$)	25	50	75	100	125	150	175	200	225	250	300	350	mm	
Body length	81	106	131	156	181	206	231	256	281	306	356	406	mm	
Resistance (typical)	1	2	3	4	5	6	7	8	9	10	12	14	K ohms	
Non-linearity	$<\pm 0.25$	$<\pm 0.25$	$<\pm 0.15$	$<\pm 0.15$	$<\pm 0.15$	$<\pm 0.15$	$<\pm 0.15$	$<\pm 0.15$	$<\pm 0.15$	$<\pm 0.15$	$<\pm 0.15$	$<\pm 0.15$	%	
Applied voltage	<22	<45	<65	<90	<110	<130	<130	<130	<130	<130	<130	<130	Volts	
Wiper load	>500	>500	>500	>500	>500	>600	>700	>800	>900	>1000	>1100	>1200	K ohms	
Mechanical range	Measurement Range +1												mm	
Shaft velocity													<10	m/sec
Insulation resistance (500V dc.)													>100	M ohms
Operating temp. range													-30° to $+125^\circ$	$^\circ\text{C}$
Sealing													IP66	
Shaft operating force													200 (typical)	grams
Weight (approx.)	60	66	73	78	85	90	96	102	108	114	120	126	grams	
Case material													Aluminum 6063 - Sulphuric acid anodised	
Shaft material													Stainless steel - 303 series	

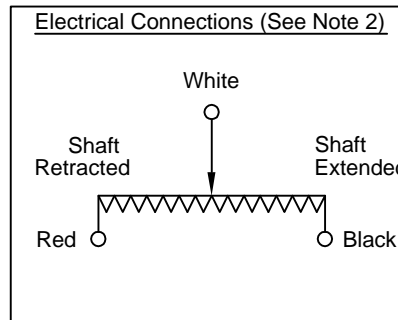
Note 1: Incorrect wiring may cause internal damage to the sensor. Note 2: Circuit recommendation: Due to the presence of a high contact resistance, these potentiometers should be used as voltage dividers only. Operation with wiper circuits of low impedance will degrade the output signal.

Accessory Part Numbers

Mounting flange - PT1300-0109

Body Clamps - PT1300-0110

See products page for data sheets.



Ordering Information

CLS1321-XXX

Measurement range in mm