



Providing the Ultimate
Solutions in Precision
Displacement Sensors [Order](#) • [Site Map](#) •

Follow

29

Search

[Home](#)[All Products](#)[Support](#)[Special Offers](#)[Contact Us](#)

Home

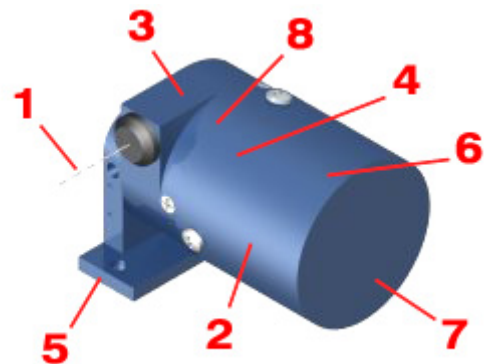
Data Sheet - Series D60, D61 and D62 Miniature Position Transducers

High-Resolution, Digital-Output, Miniature Size

Shaded characteristics are verified during production and test. All others are for REFERENCE and information only.

Summary Features

1. 43-inch (1092-mm) Maximum Travel (Series D62)
2. Digital Signal Using Precision, High-Resolution Incremental Optical Encoder
3. AccuTrak™ Threaded Drum for Enhanced Repeatability
4. Bearing-Mounted Rotating Components
5. Optional Flexible Mounting Bases
6. Predicted Life: 10 Million Full-Stroke Cycles
7. NEMA 4X / IP 66 Environmentally Protected
8. DirectConnect™ Sensor-To-Drum Technology = Zero Backlash, No Torsion Springs or Clutches



Sensor Specifications

SENSOR SPECIFICATIONS (incremental optical encoder)

Power Requirement	5 to 26 VDC
Current	35 mA max at 5 VDC
Logic Output	open collector with Schmitt trigger and 10 Kohm pull-up resistor (push-pull differential line driver)
Power Consumption	150 mW max, 16 mA sink current at 0.40 VDC
Travel: Electrical, Mechanical	360° continuous
Mechanical Life	100 million shaft revolutions min
Resolution	8192 quadrature pulses per revolution
Output	2-bit (quadrature) code, A leads B by 90° w/CW
Operating Temperature	-4° to 212° F (-20° to 100° C)
Shock / Vibration	50 g for 11 ms / 50 to 500 Hz at 20 g
Humidity	98% non-condensing

Other Specifications

Case/Drum Materials	precision-machined, anodized 2024 aluminum
Displacement Cable	0.027 inch (0.6858 mm) diameter, 7-by-7 stranded stainless steel, 90-lb (400-N) min breaking strength

Cable Hardware	1 each of <u>300196 loop sleeve</u> , <u>300292 copper sleeve</u> , <u>300688 ball-end plug</u> , <u>300495 pull ring</u> , <u>160026 brass swivel</u> , and <u>301003 nickel swivel</u> ; all items provided uncrimped
Nominal Mass	D60: 6 oz (170 g), D61: 8 oz (227 g), D62: 11 oz (312 g)
Environmental Sealing	NEMA 4X / IP 66

Part Numbers

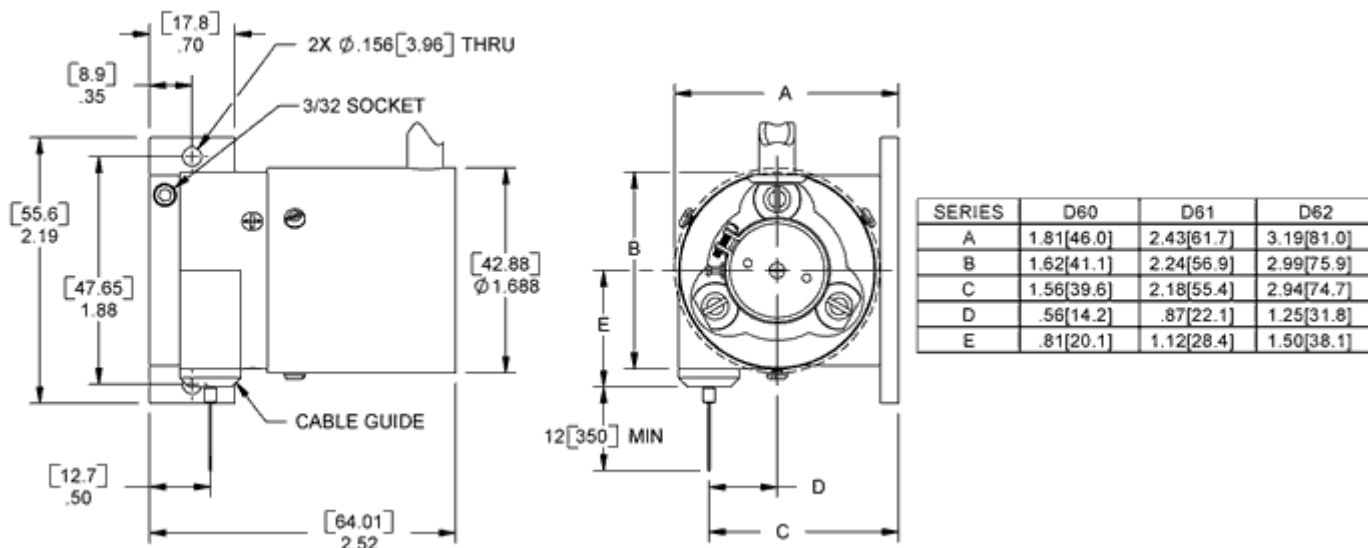
Part Number	Nominal Range	Nominal Resolution#	Nominal Cable Tension	max Cable Accel.
(Order Code)	in (mm)	pulses/in (pulses/mm)	oz (N)	g
D60-090	11.25 (286)	3587 (141)	8 to 23 (2 to 6)	40
D60-170	21.25 (540)	1883 (74)	8 to 20 (2 to 6)	40
D61-244	30.50 (775)	1338 (53)	9 to 24 (3 to 7)	71
D62-345	43 (1092)	951 (37)	6 to 19 (2 to 5)	32

after quadrature decode by user

Electrical Connection

Electrical Connection Type	Pin/Wire Assignment	
10-conductor dark gray PVC cable with 24 AWG flying leads, 60-in (1524-mm) min length, 0.250 (6.35) nominal diameter, -20° to +80° C operating temperature range	Wire Color	Signal
	red	common
	gray	+VDC
	brown	Z
	green	Z'
	blue	B
	orange	B'
	yellow	A
	white	A'
	purple	N/C
black	case	

Drawing



Part Number	Description
160005	base: magnet (_6_)
160030-	base: universal (_6_)
160040-1	base: mounting disk (_6_)
160015-1	base: big foot (_6_)
160015-G1	base: h (_60)
300460	base: universal (miniature) (_60)
160001-01	installation kit

Options

Electrical Cable Termination	straight pins (two rows of 5 pins on 0.10" centers)
Input Signal	5 VDC \pm 5%
Output Signal	TTL or RS-422A line driver
Resolution	50% and 25% resolution
Operating Temperature	-40° to +185° F (-40° to +85° C)
Display Meter	LCD readout, two registers; scalable output
Interface Products	cables, adapters, interface circuits, power supplies

For crimping of hardware to displacement cable, consider the [160001-01 installation kit](#).

All dimensions are REFERENCE and are in inches [mm] • Data Sheet Series D60, D61 and D62 Rev. -

Semi-custom part numbers are indicated by an extra variable, (-X) at the end of the part number.

Example: D6_ _ _-x. The -x indicates a semi-custom unit. The product definition and build data are defined in the "Special Instruction" section of the Job Traveler.

[Firstmark Controls](#)

An ISO:9001:2008 and AS9100C Certified Company

All specifications subject to change without notice.
© 1996-2016 Firstmark Controls All rights reserved.

[top](#) [News](#) • [Representatives](#) • [Request Literature](#) • [CAD Models](#) • [Calculators](#) [top](#)