

# HX-PA SERIES

## RATIOMETRIC VOLTAGE OUTPUT



Utilizing a precision potentiometer, the **UniMeasure HX-PA Series** position transducer provides basic absolute positioning with an analog output. With a steady state input voltage, and with the potentiometer connected as a voltage divider, the ratiometric output voltage is directly proportional to wire rope extension. The unit will function with any input voltage up to 30 volts maximum. To obtain best output linearity, the input voltage should be well regulated.



### SPECIFICATIONS

#### GENERAL

Measurement Ranges..... See Supplemental Data<sup>[1]</sup>, Table 12  
 Sensing Device ..... Precision Potentiometer  
 Connector ..... MS3102E-14S-6P  
 Mating Connector (included) ..... MS3106E-14S-6S

#### PERFORMANCE

Linearity  
 2", 3", 4", 5" & 6" Ranges..... ±0.25% Full Scale  
 10", 15", 20" & 25" Ranges..... ±0.15% Full Scale  
 All other ranges..... ±0.10% Full Scale  
 Repeatability ..... ±0.015% Full Scale  
 Resolution..... Essentially Infinite

#### ENVIRONMENTAL

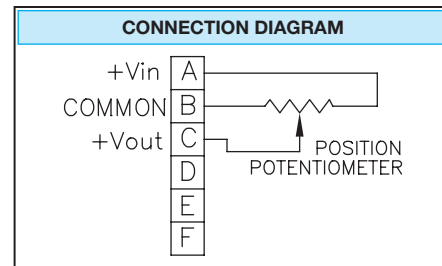
Operating temperature ..... -40°C to +95°C  
 Storage Temperature ..... -55° to +100°C  
 Operating humidity ..... 100%  
 Vibration..... 15 G's 0.1 ms max.  
 Shock..... 50 G's 0.1 ms max.

#### INGRESS PROTECTION (Exclusive of Wire Rope Area)

Standard ..... IP-65 (NEMA 4)  
 Optional ..... IP-68 (NEMA 6)

#### ELECTRICAL

Input Impedance..... 1000Ω ±10%  
 Output Impedance..... 0 to 1000 Ω  
 Excitation Voltage ..... 30 Volts Max. AC or DC  
 Output Voltage Change Over  
 Full Range of Transducer ..... 92% to 98% of Excitation Voltage



#### FOOTNOTES TO SPECIFICATIONS

1. Supplemental Data section located at end of HX Series pages.

### MODEL NUMBER CONFIGURATION

**HX-PA-** 0 1 2 3 4 5 6 7 8 9

### BASIC CONFIGURATION (FOR ALL RANGES)

**HX-PA-50-S10-N1S-1BC**

**0 RANGE**  
 Select Measurement Range From Supplemental Data **Table 12** (next page), Insert Corresponding Measurement Range Designator

**1 WIRE ROPE**  
**S** ..... Stainless Steel (See Supplemental Data, Table 12)  
**N** ..... Ø.018 (0,45 mm) Nylon Jacketed Stainless Steel Ranges to 80" (2m) only, (formerly NJC)  
**J** ..... Ø.037 (0,94 mm) Nylon Jacketed Stainless Steel Ranges 100" (2,5m) to 500" (12,7m) only.

**2 WIRE ROPE TENSION**  
**1** ..... Standard  
**2** ..... Reduced (Ranges to 80" only)

**3 WIRE ROPE EXIT DIRECTION**  
 Use Number designators shown RANGES TO 80" (2000 mm)

RANGES: 100" TO 2000" (2,5 m TO 50 M)

**4 N** ..... Required Designator

**5 POTENTIOMETER VALUE**  
**1** ..... 1K ohm  
**3** ..... 5K ohm\*  
**4** ..... 10K ohm\*  
 \*Not Available Ranges 2" to 6"  
 See Supplemental Data for Linearity Option

**6 ELECTRICAL OUTPUT POLARITY**  
**S** ..... Standard (increasing output as wire rope is extended)  
**R** ..... Reversed (decreasing output as wire rope is extended)

#### NOTES FOR OPTION BOXES 7, 8, and 9

**IP-65 (NEMA 4):** Transducer equipped with body mounted connector and with or without mating connector. Mating connector with electrical cable available separately as part number **10119-xM** where 'x' is length of electrical cable in meters.

**IP-68 (NEMA 6):** Transducer equipped with bulkhead fitting and length of electrical cable. Remote end of electrical cable may be outfitted with water proof connector. Mating connector with electrical cable available separately as part number **10424-xM** where 'x' is length of electrical cable in meters.

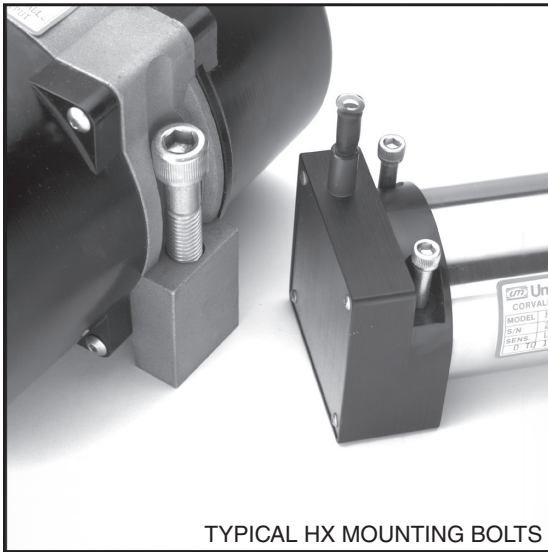
**7 INGRESS PROTECTION**  
**1** ..... IP-65 (NEMA 4)  
**2** ..... IP-68 (NEMA 6)  
**3** ..... IP-68 (NEMA 6) Corrosion Resistant Construction

**8 IP-65-NEMA 4 CONNECTOR**  
**B** ..... 6 Pin 3102E Body Mounted Connector  
**IP-68-NEMA 6 ELECTRICAL CABLE**  
**P** ..... Bulkhead Fitting w/ 0.3m (12") Electrical Cable  
**3** ..... Bulkhead Fitting w/ 3m (10') Electrical Cable  
**4** ..... Bulkhead Fitting w/ 4m (13.5') Electrical Cable  
**5** ..... Bulkhead Fitting w/ 5m (16.5') Electrical Cable  
**6** ..... Bulkhead Fitting w/ 6m (20') Electrical Cable  
**7** ..... Bulkhead Fitting w/ 7m (23') Electrical Cable

**9 IP-65-NEMA 4 MATING CONNECTOR**  
**C** ..... IP-65 Mating Connector Included  
**K** ..... IP-65 Mating Connector Omitted\*  
 \*Electrical cable with mating connector may be ordered separately as part number **10119-xM** where 'x' is the length required in meters.

**IP-68-NEMA 6 CABLE MOUNTED CONNECTOR**  
**N** ..... No connector on end of electrical cable  
**K** ..... IP-68 Cable to cable connector with **NO** mating connector\*\*  
 \*\*Electrical cable with mating connector may be ordered separately as part number **10424-xM** where 'x' is the length required in meters. Mating connector alone unavailable.

### MECHANICAL SPECIFICATIONS



TYPICAL HX MOUNTING BOLTS

**AVAILABLE MEASUREMENT RANGES** .... See Table 12

**CONSTRUCTION**

- Ranges 80" (2 m) and under ..... Anodized Aluminum Mounting Base  
Stainless Steel & Anodized Aluminum Housing
- Ranges 100" (2.5 m) and greater ..... Stainless Steel Mounting Base  
High Impact, Corrosion Resistant  
Thermoplastic Housings
- Wire Rope Tension..... See Table 12
- Wire Rope Diameter ..... See Table 12
- Weight ..... See Table 12
- Connector ..... MS3102A-14S-6P
- Mating Connector ..... MS3106E-14S-6S
- Optional NEMA 6 Capability ..... Bulkhead fitting with shielded twisted pair cable

**Life<sup>(1)</sup>**

- Ranges 2" to 6" ..... 5,000,000 full stroke cycles
- Ranges 10" to 25" ..... 500,000 full stroke cycles
- Ranges 30" to 400" ..... 250,000 full stroke cycles
- Ranges 500" to 2000" ..... 200x10<sup>6</sup> lineal inches

**NOTES:**

1. With 1K ohm potentiometer, wire rope misalignment 2° maximum at full stroke, relatively dust free environment, nylon jacketed wire rope on units with ranges 80" and less.

Use value from this column to indicate overall measurement range

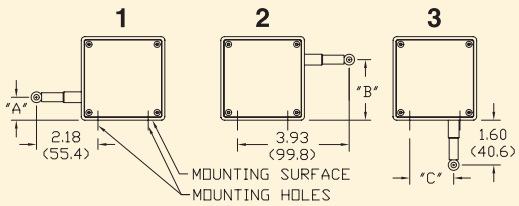
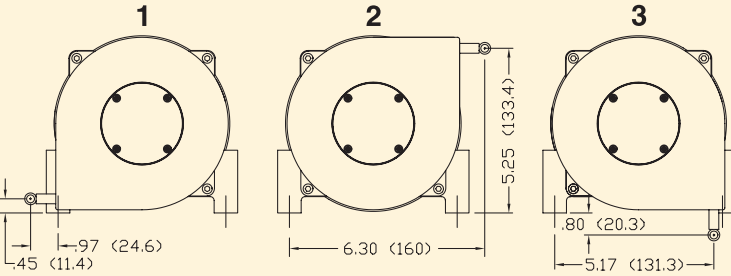


Check mark indicates available measurement range

# TABLE 12

MEASUREMENT RANGE DESIGNATOR	STANDARD MEASUREMENT RANGES		APPLICABLE SERIES			WIRE ROPE TENSION (NOMINAL)		WIRE ROPE DIAMETER		TRANSDUCER WEIGHT		Product Photo
	(in)	(mm)	HX-PA HX-PB HX-P420 HX-P510	HX-EP	HX-V HX-VP	(oz)	(N)	(in)	(mm)	(lb)	(Kg)	
2	2	50	✓	-	✓	34	9.4	.016	0.4	2	0.9	
3	3	75	✓	-	✓	24	6.7	.016	0.4	2	0.9	
4	4	100	✓	-	✓	24	6.7	.016	0.4	2	0.9	
5	5	125	✓	-	✓	19	5.3	.016	0.4	2	0.9	
6	6	150	✓	-	✓	24	6.7	.016	0.4	2	0.9	
10	10	250	✓	✓	✓	34	9.4	.016	0.4	2	0.9	
15	15	390	✓	-	✓	24	6.7	.016	0.4	2	0.9	
20	20	500	✓	-	✓	24	6.7	.016	0.4	2	0.9	
25	25	640	✓	✓	✓	19	5.3	.016	0.4	2	0.9	
30	30	750	✓	-	✓	24	6.7	.016	0.4	2	0.9	
40	40	1000	✓	-	✓	24	6.7	.016	0.4	2	0.9	
50	50	1250	✓	✓	✓	19	5.3	.016	0.4	2	0.9	
60	60	1500	✓	✓	✓	24	6.7	.016	0.4	2	0.9	
80	80	2.0m	✓	✓	✓	21	5.8	.016	0.4	2	0.9	
100	100	2.5m	✓	✓	✓	36	10.0	.024	0.6	6.8	3.1	
120	120	3.0m	✓	✓	✓	36	10.0	.024	0.6	6.8	3.1	
150	150	3.8m	✓	✓	✓	36	10.0	.024	0.6	6.8	3.1	
200	200	5.0m	✓	✓	✓	36	10.0	.024	0.6	6.8	3.1	
250	250	6.3m	✓	✓	✓	36	10.0	.024	0.6	6.8	3.1	
300	300	7.5m	✓	✓	✓	36	10.0	.024	0.6	6.8	3.1	
350	350	8.8m	✓	✓	✓	36	10.0	.024	0.6	6.8	3.1	
400	400	10.0m	✓	✓	✓	36	10.0	.024	0.6	6.8	3.1	
500	500	12.5m	✓	✓	✓	36	10.0	.024	0.6	8.6	3.9	
600	600	15.2m	✓	✓	✓	36	10.0	.024	0.6	8.6	3.9	
800	800	20.3m	✓	✓	✓	36	10.0	.024	0.6	8.6	3.9	
1000	1000	25.4m	✓	✓	-	36	10.0	.024	0.6	12.0	5.4	
1200	1200	30.4m	✓	✓	-	36	10.0	.024	0.6	12.3	5.6	
1600	1600	40.6m	✓	✓	-	36	10.0	.024	0.6	14.1	6.4	
1800	1800	45.7m	✓	✓	-	36	10.0	.021	0.6	15.9	7.2	
2000	2000	50.8m	✓	✓	-	36	10.0	.021	0.5	16.3	7.4	

Specifications subject to change without notice

### OPTION DESCRIPTIONS

OPTION	OPTION DESIGNATOR	DESCRIPTION																												
<b>NYLON JACKETED WIRE ROPE</b> <u>RANGES TO 80" ONLY</u>	<b>N</b>	Replaces standard stainless steel wire rope with Ø.018 nylon jacketed wire rope. This option increases wire rope life dramatically but may increase non-linearity by as much as ±.05% of full scale.																												
<b>NYLON JACKETED WIRE ROPE</b> <u>RANGES 100" TO 500" ONLY</u>	<b>J</b>	Replaces standard stainless steel wire rope with Ø.037 nylon jacketed wire rope.																												
<b>ALTERNATE WIRE ROPE EXIT</b> <u>RANGES TO 80" (2.0 m)</u>	<b>1, 2, 3</b>	 <table border="1"> <thead> <tr> <th>RANGE</th> <th>"A"</th> <th>"B"</th> <th>"C"</th> </tr> </thead> <tbody> <tr> <td>2", 10"</td> <td>1.12 (28.4)</td> <td>1.79 (45.5)</td> <td>1.21 (30.7)</td> </tr> <tr> <td>3", 15", 30"</td> <td>.96(24.4)</td> <td>1.95 (49.5)</td> <td>1.37 (34.8)</td> </tr> <tr> <td>4", 20", 40"</td> <td>.80 (20.3)</td> <td>2.11 (53.6)</td> <td>1.53 (38.9)</td> </tr> <tr> <td>5", 25", 50"</td> <td>.64 (16.3)</td> <td>2.27 (57.7)</td> <td>1.69 (42.9)</td> </tr> <tr> <td>6", 60"</td> <td>.49 (12.4)</td> <td>2.42 (61.5)</td> <td>1.84 (46.7)</td> </tr> <tr> <td>80"</td> <td>.25 (6.4)</td> <td>2.66 (67.6)</td> <td>2.08 (52.8)</td> </tr> </tbody> </table> <p><i>Dimensions in brackets are millimeters</i></p>	RANGE	"A"	"B"	"C"	2", 10"	1.12 (28.4)	1.79 (45.5)	1.21 (30.7)	3", 15", 30"	.96(24.4)	1.95 (49.5)	1.37 (34.8)	4", 20", 40"	.80 (20.3)	2.11 (53.6)	1.53 (38.9)	5", 25", 50"	.64 (16.3)	2.27 (57.7)	1.69 (42.9)	6", 60"	.49 (12.4)	2.42 (61.5)	1.84 (46.7)	80"	.25 (6.4)	2.66 (67.6)	2.08 (52.8)
RANGE	"A"	"B"	"C"																											
2", 10"	1.12 (28.4)	1.79 (45.5)	1.21 (30.7)																											
3", 15", 30"	.96(24.4)	1.95 (49.5)	1.37 (34.8)																											
4", 20", 40"	.80 (20.3)	2.11 (53.6)	1.53 (38.9)																											
5", 25", 50"	.64 (16.3)	2.27 (57.7)	1.69 (42.9)																											
6", 60"	.49 (12.4)	2.42 (61.5)	1.84 (46.7)																											
80"	.25 (6.4)	2.66 (67.6)	2.08 (52.8)																											
<b>ALTERNATE WIRE ROPE EXIT</b> <u>RANGES 100" (2.5 m) and GREATER</u>	<b>1, 2, 3</b>	 <p><i>Dimensions in brackets are millimeters</i></p>																												
<b>NON-STANDARD POTENTIOMETER</b> <u>APPLIES TO HX-PA &amp; HX-VPA ONLY</u>	<b>3, 4</b>	<p>Non-standard potentiometer linearity is as follows:</p> <table border="1"> <thead> <tr> <th>RANGE</th> <th>LINEARITY</th> </tr> </thead> <tbody> <tr> <td>5" and Below</td> <td>±1.00% of full scale</td> </tr> <tr> <td>10" to 25"</td> <td>±0.50% of full scale</td> </tr> <tr> <td>30" and above</td> <td>±0.25% of full scale</td> </tr> </tbody> </table> <p><i>Note: This option is subject to potentiometer availability.</i></p>	RANGE	LINEARITY	5" and Below	±1.00% of full scale	10" to 25"	±0.50% of full scale	30" and above	±0.25% of full scale																				
RANGE	LINEARITY																													
5" and Below	±1.00% of full scale																													
10" to 25"	±0.50% of full scale																													
30" and above	±0.25% of full scale																													
<b>REVERSED OUTPUT</b>	<b>R</b>	Output is at a maximum when wire rope is fully retracted. Output decreases as wire rope is extended. Does not apply to velocity signal.																												
<b>IP-68, (NEMA 6) CAPABILITY</b>	<b>2</b>	 <p>Connector is replaced with a bulkhead fitting and a designated length of urethane jacketed, shielded, twisted pair cable. Retraction mechanism and electrical components are sealed to IP-68, (NEMA 6) capability.</p>																												
<b>CORROSION RESISTANT CONSTRUCTION</b>	<b>3</b>	<p>All external anodized aluminum parts of transducer are replaced with stainless steel and corrosion resistant plastic. Transducer is sealed to IP-68 (NEMA 6) capability. Urethane jacketed, shielded, twisted pair cable exits unit. No connector on unit.</p> 																												

### DIMENSIONAL INFORMATION

#### HX SERIES - RANGES TO 80" (2 m)

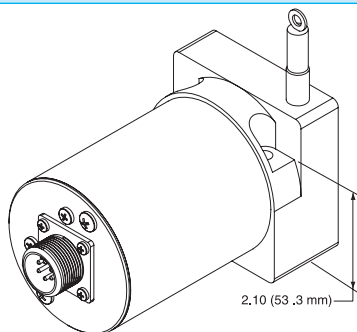
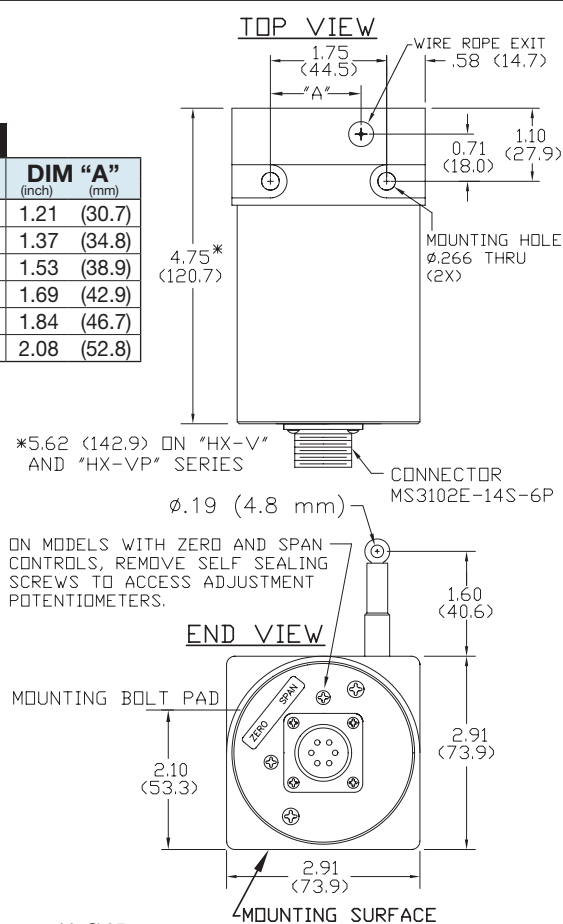


Fig. 1

TABLE 13

RANGE	DIM "A" (inch)	(mm)
2", 10"	1.21	(30.7)
3", 15", 30"	1.37	(34.8)
4", 20", 40"	1.53	(38.9)
5", 25", 50"	1.69	(42.9)
6", 60"	1.84	(46.7)
80"	2.08	(52.8)



#### HX SERIES - RANGES GREATER THAN 80" (2 m)

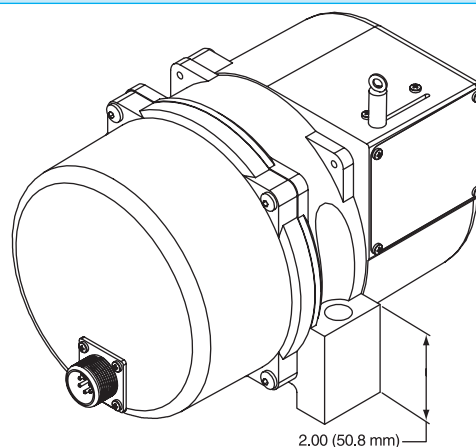
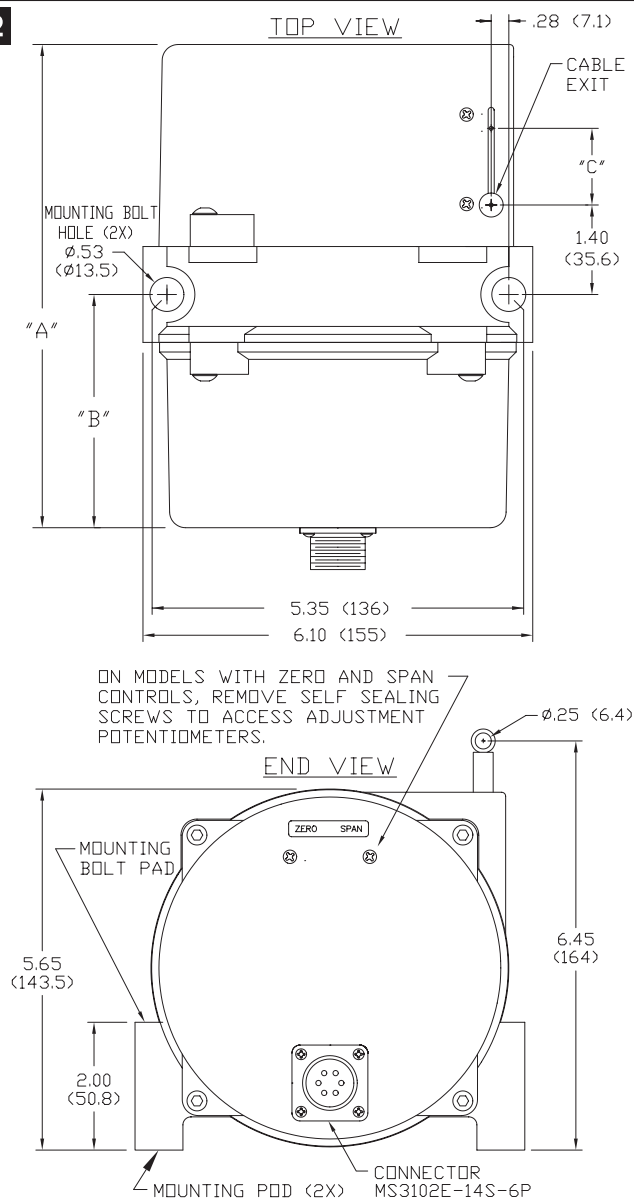


Fig. 2



NOTES:

1. Transducer mounts with Ø.25 or M6 Socket head cap bolts.

Dimensions in brackets are millimeters

TABLE 14

RANGE	DIM "A" (inch)	(mm)	DIM "B" (inch)	(mm)
Ranges to 800"	7.70	(196)	3.80	(97)
1000" to 2000"	11.0	(280)	5.60	(142)

NOTES:

1. Transducer mounts with Ø.50 or M12 socket head cap bolts.
2. Dimension "C" is the cable offset that occurs as the cable is extended from the transducer. For "C" in inches,  $C = .0016 \times E$  where E = extension in inches. For "C" in millimeters,  $C = .0016 \times E$  where E = extension in mm.

Dimensions in brackets are millimeters