

FUTEK MODEL LRF300 (L2320) LOW PROFILE TENSION AND COMPRESSION LOAD CELL

STK# FSH00072

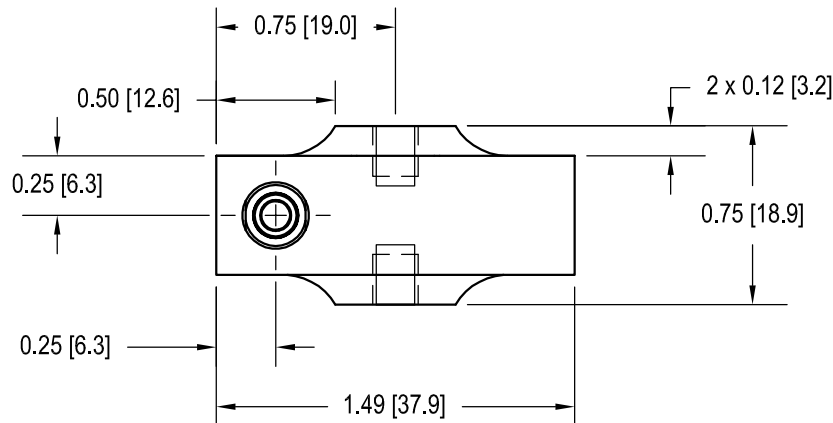
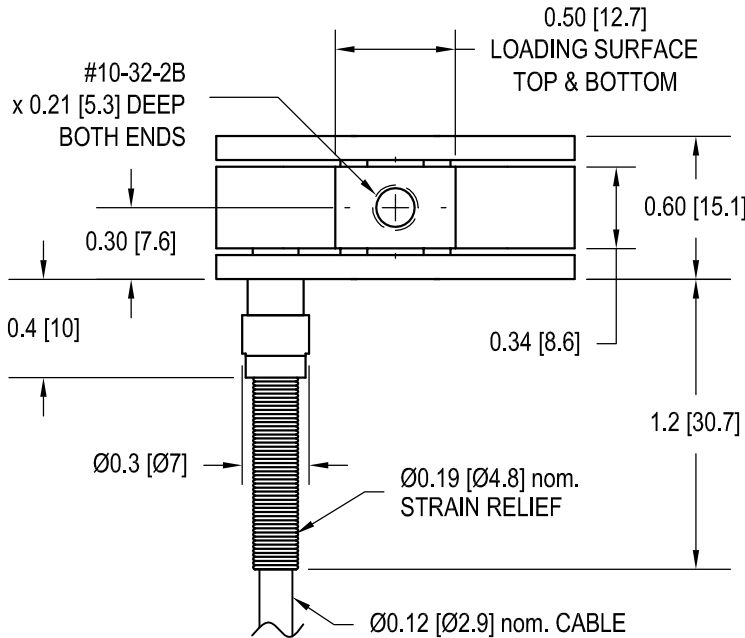
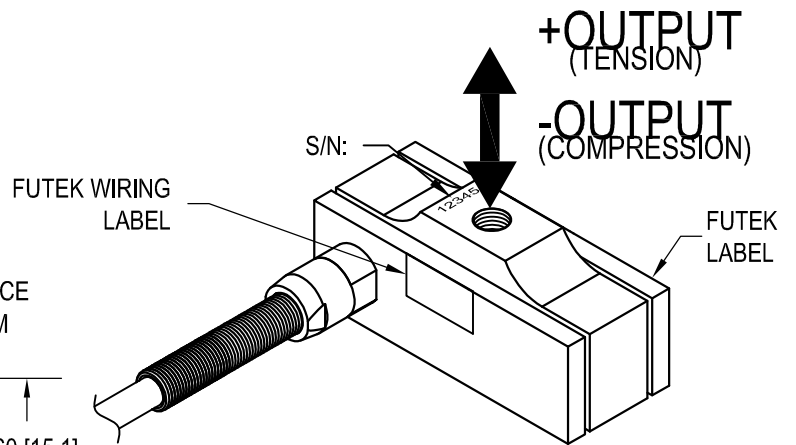
Drawing Number: FI1068-B

INCH [mm] | R.O.= Rated Output

WIRING CODE (WC1)

+Excitation	-Excitation	+Signal	-Signal
RED	BLACK	GREEN	WHITE

Shield
FLOATING



SPECIFICATIONS:

RATED OUTPUT	2 mV/V nom.
CAPACITY	10lb [44.5N]
SAFE OVERLOAD	150% of R.O.
ZERO BALANCE	±1% of R.O.
EXCITATION (VDC OR VAC)	15 MAX
BRIDGE RESISTANCE	350 Ω nom.
NONLINEARITY	±0.1% of R.O.
HYSTERESIS	±0.1% of R.O.
NONREPEATABILITY	±0.05% of R.O.
CREEP	±0.05% of LOAD
TEMP. SHIFT ZERO	±0.005% of R.O./°F [0.01% of R.O./°C]
TEMP. SHIFT SPAN	±0.005% of LOAD/°F [0.01% of LOAD/°C]

COMPENSATED TEMP.	60 to 160°F [15 to 72°C]
OPERATING TEMP.	-60 to 200°F [-50 to 93°C]
WEIGHT	1.5 oz [43g]
MATERIAL(FLEXURE)	ALUMINUM
MATERIAL(COVER)	ALUMINUM, Red Anodized after S/N:373184
DEFLECTION	0.002 [0.05] nom.
CABLE: #28 AWG, 4 Conductor, Spiral Shielded Clear PVC Cable 10 ft [3 m] Long	
ACCESSORIES AND RELATED INSTRUMENTS AVAILABLE	
CERTIFICATE OF CONFORMANCE (STD) TENSION	
CALIBRATION (AVAILABLE)	5 pt. TENSION/COMPRESSION
	60.4 K Ω SHUNT CAL. VALUE
CALIBRATION TEST EXCITATION	10 VDC

FUTEK MODEL LRF325 (L2320) *LOW PROFILE TENSION AND COMPRESSION LOAD CELL*

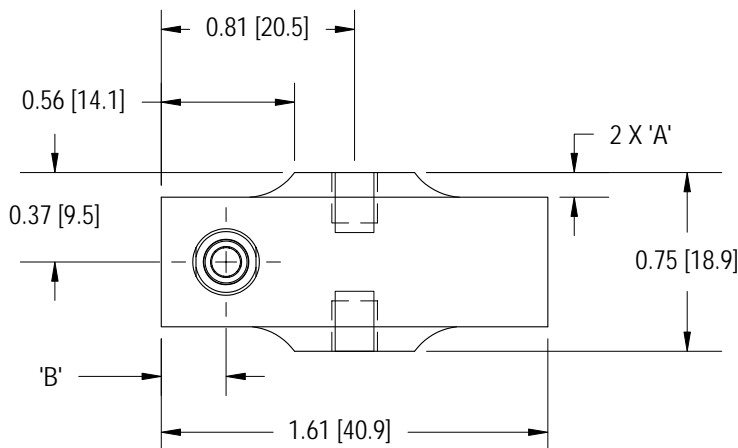
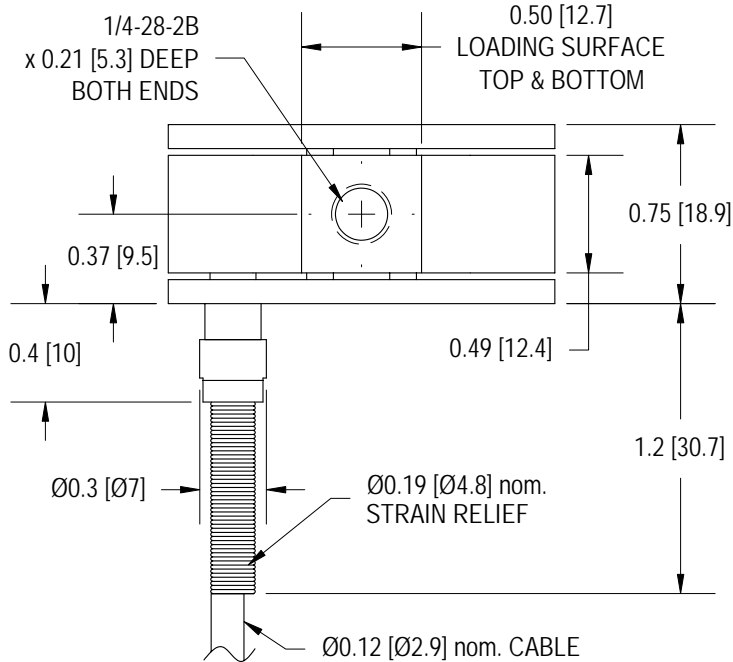
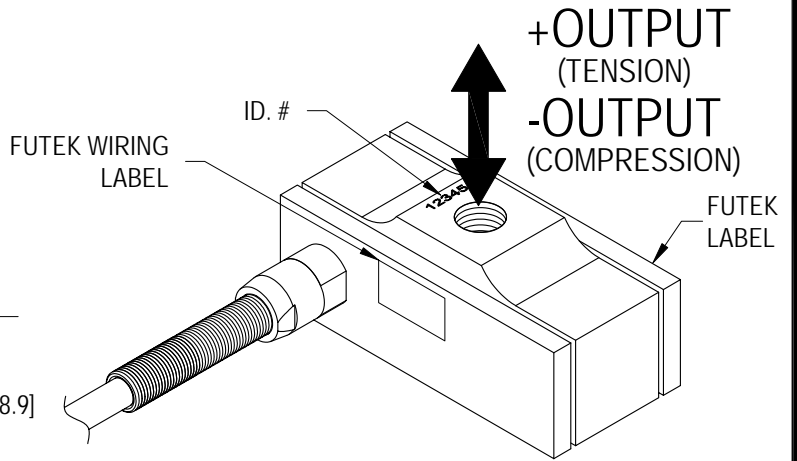
Drawing Number: F11069-A

INCH [mm] | R.O.= Rated Output

WIRING CODE (WC1)

+Excitation	-Excitation	+Signal	-Signal
RED	BLACK	GREEN	WHITE

Shield
FLOATING



STK#	CAPACITY		A	B
	lb	N		
FSH00073	25	111	0.10 [2.5]	0.27 [6.9]
FSH00074	50	222		0.29 [7.4]
FSH00075	75	334	0.09 [2.3]	0.30 [7.6]
FSH00076	100	445	0.07 [1.8]	0.31 [7.9]

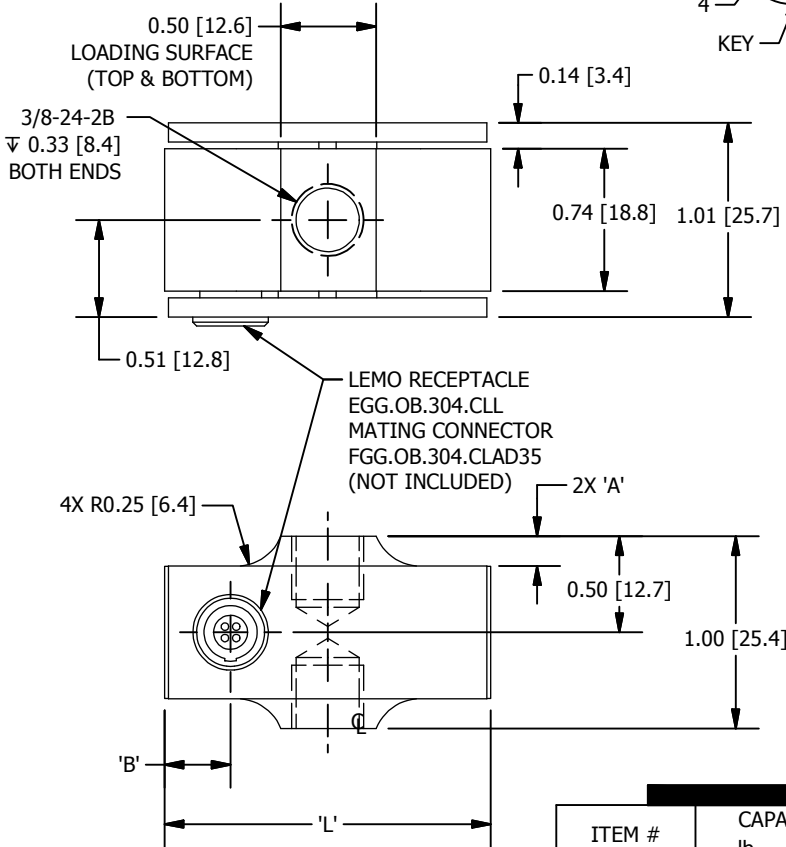
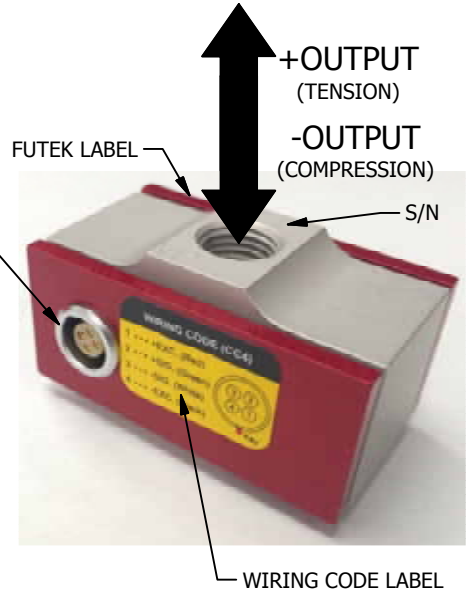
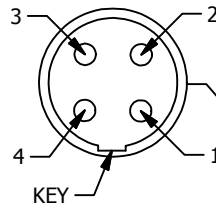
SPECIFICATIONS:

RATED OUTPUT	2 mV/V <i>nom.</i>
SAFE OVERLOAD	150% of R.O.
ZERO BALANCE	±1% of R.O.
EXCITATION (VDC OR VAC)	15 MAX
BRIDGE RESISTANCE	350 Ω <i>nom.</i>
NONLINEARITY	±0.1% of R.O.
HYSTERESIS	±0.1% of R.O.
NONREPEATABILITY	±0.05% of R.O.
CREEP	±0.05% of LOAD
TEMP. SHIFT ZERO	±0.005% of R.O./°F [0.01% of R.O./°C]
TEMP. SHIFT SPAN	±0.005% of LOAD/°F [0.01% of LOAD/°C]

COMPENSATED TEMP.	60 to 160°F [15 to 72°C]
OPERATING TEMP.	-60 to 200°F [-50 to 93°C]
WEIGHT	1.8oz [51g]
MATERIAL	ALUMINUM
DEFLECTION	0.002 [0.05] <i>nom.</i>
CABLE: #28 AWG, 4 Conductor, Spiral Shielded Clear PVC Cable 10 ft [3 m] Long	
ACCESSORIES AND RELATED INSTRUMENTS AVAILABLE	
CERTIFICATE OF CONFORMANCE (STD)	TENSION
CALIBRATION (AVAILABLE)	5 pt. TENSION/COMPRESSION
CALIBRATION TEST EXCITATION	60.4 K Ω SHUNT CAL. VALUE
	10 VDC

FUTEK MODEL LRF350 LOW PROFILE TENSION AND COMPRESSION LOAD CELL

DRAWING NUMBER: FI1070-D			
INCH [mm]		R.O. = Rated Output	
WIRING CODE (CC4)			
+ Excitation	- Excitation	+ Signal	- Signal
RED	BLACK	GREEN	WHITE
PIN 1	PIN 4	PIN 2	PIN 3



LEMO RECEPTACLE
EGG.OB.304.CLL
MATING CONNECTOR
FGG.OB.304.CLAD35
(NOT INCLUDED)

ITEM #	CAPACITY		A	B	L	MATERIAL
	lb	N				
FSH00084	200	890	0.14 [3.6]	0.36 [9.1]	1.74 [44.2]	ALUMINUM
FSH00085	300	1334	0.12 [3.0]	0.39 [9.9]		2 oz [57 g]
FSH00086	500	2224	0.16 [4.1]	0.34 [8.6]	1.70 [43.2]	17-4 ph S.S.
FSH00088	1000	4450	0.11 [2.8]	0.39 [9.9]	1.74 [44.2]	5oz [142 g]

SPECIFICATIONS:

RATED OUTPUT	2 mV/V nom.
SAFE OVERLOAD	150 % of R.O.
ZERO BALANCE	±1% of R.O.
EXCITATION (VDC OR VAC)	18 MAX
BRIDGE RESISTANCE	350 Ω nom.
NONLINEARITY	±0.1% of R.O.
HYSTERESIS	±0.1% of R.O.
NONREPEATABILITY	±0.05% of R.O.
CREEP	±0.05% of R.O.
TEMP. SHIFT ZERO	±0.005% of R.O./°F (±0.01 of R.O./°C)
TEMP. SHIFT SPAN	±0.005% of LOAD/°F (±0.01 of LOAD/°C)
COMPENSATED TEMP.	60 to 160 °F (16 to 71 °C)
OPERATING TEMP	-60 to 200 °F (-51 to 93 °C)
MATERIAL (FLEXURE)	SEE CHART
MATERIAL (COVER)	Aluminum, Red Anodized
DEFLECTION	0.002 [0.05] nom.
CONNECTOR:	LEMO 4 Pin Receptacle (EGG.OB.304.CLL)
ACCESSORIES AND RELATED INSTRUMENTS AVAILABLE	
IP Rating	IP40
CALIBRATION (STD)	5 pt. TENSION; 60.4 KΩ SHUNT CAL. VALUE
CALIBRATION (AVAILABLE)	COMPRESSION
CALIBRATION TEST EXCITATION	10 VDC

DSPM industria
sensori & trasduttori

Tel +39 02 48 009 757 Fax +39 02 48 002 070

Via Paolo Uccello 4 - 20148 Milano
info@dspmindustria.it www.dspmindustria.it

FUTEK
ADVANCED SENSOR TECHNOLOGY, INC.

This drawing is submitted solely for the information and exclusive use of the original addressee. It is not to be divulged in whole or in part, by any firm or individual without written permission from FUTEK