

FUTEK MODEL LSM325
STK# FSH00014

FOLD BACK PARALLEL BEAM LOAD CELL (OEM)

(Previously L2336)

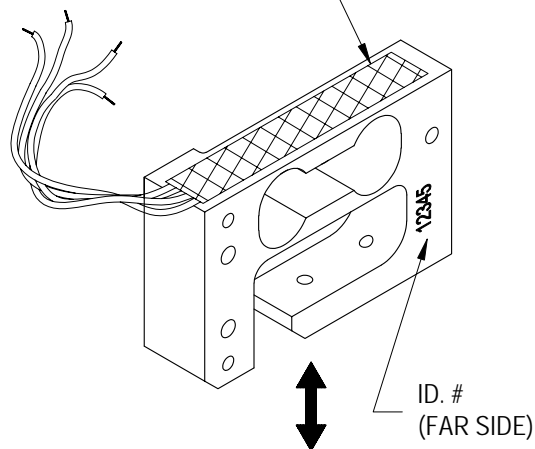
Drawing Number: FI1126

INCH [mm] | R.O.= Rated Output

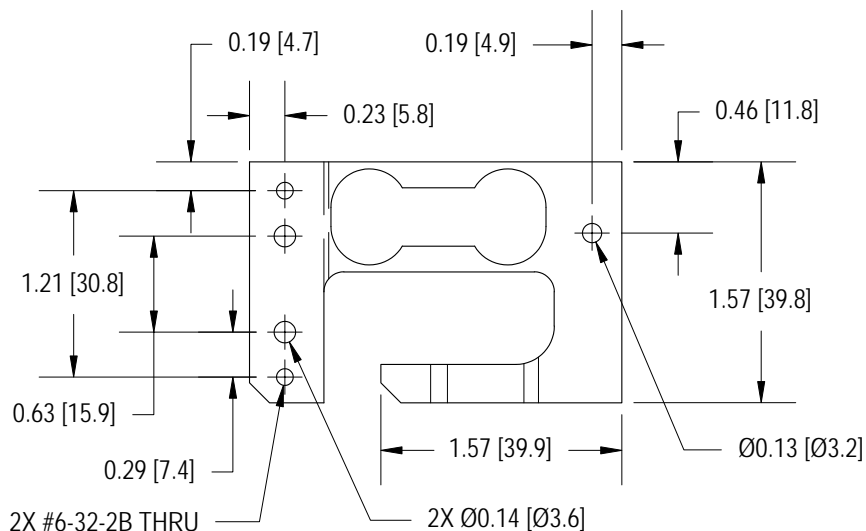
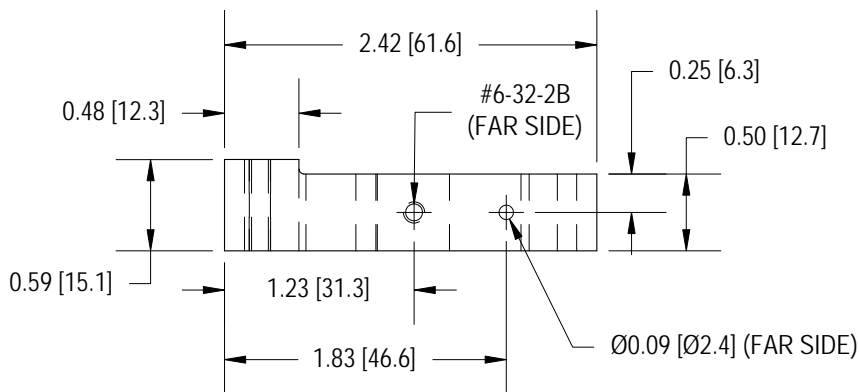
WIRING CODE (WC1)

+Excitation	-Excitation	+Signal	-Signal
RED	BLACK	GREEN	WHITE

EXPOSED ELEMENTS



+OUTPUT
(TENSION)



SPECIFICATIONS:

RATED OUTPUT	2.3 mV/V nom.
CAPACITY $\frac{\text{lb}}{\text{N}}$	$\frac{10}{44.5}$
SAFE OVERLOAD	150% of R.O.
ZERO BALANCE	1% of R.O.
EXCITATION (VDC OR VAC)	20 MAX
BRIDGE RESISTANCE	1000 Ω nom.
NONLINEARITY	$\pm 0.2\%$ of R.O.
HYSTERESIS	$\pm 0.2\%$ of R.O.
NONREPEATABILITY	$\pm 0.1\%$ of R.O.
TEMP. SHIFT ZERO	$\pm 0.02\%$ of R.O./°F [0.036% of R.O./°C]
TEMP. SHIFT SPAN	$\pm 0.02\%$ of LOAD/°F [0.036% of LOAD/°C]
COMPENSATED TEMP.	60 to 160°F [16 to 72°C]
OPERATING TEMP.	-60 to 200°F [-50 to 93°C]
WEIGHT	1 oz [28 g]
MATERIAL	ALUMINUM
DEFLECTION	0.009 [0.23]
CABLE: #29 AWG, 4 Conductor, Spiral Teflon Cable 3 in. [76.2] Long	
ACCESSORIES AND RELATED INSTRUMENTS AVAILABLE	
CALIBRATION (AVAILABLE)	5 pt. TENSION; 150K Ω SHUNT CAL. VALUE
CALIBRATION TEST EXCITATION	10 VDC

FUTEK
ADVANCED SENSOR TECHNOLOGY, INC.

This drawing is submitted solely for the information and exclusive use of the original addressee. It is not to be divulged in whole or in part, by any firm or individual without written permission from FUTEK

DSPM Industria
sensori & trasduttori

Via Paolo Uccello 4 20148 Milano

Tel +39 02 48 009 757 Fax +39 02 48 002 070 info@dspmindustria.it www.dspmindustria.it