

# FUTEK MODEL LAU200

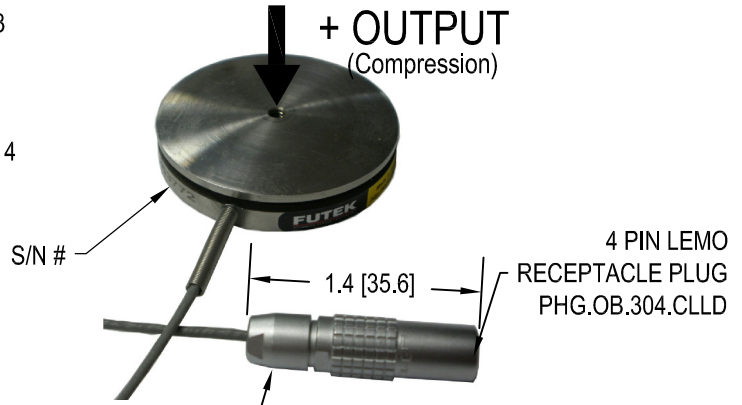
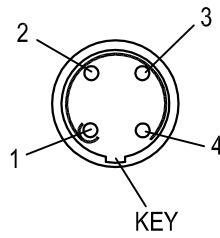
# ACCELERATOR AND PEDAL FORCE SENSOR

Drawing Number: **FI1047-B**

INCH [mm] | R.O.= Rated Output

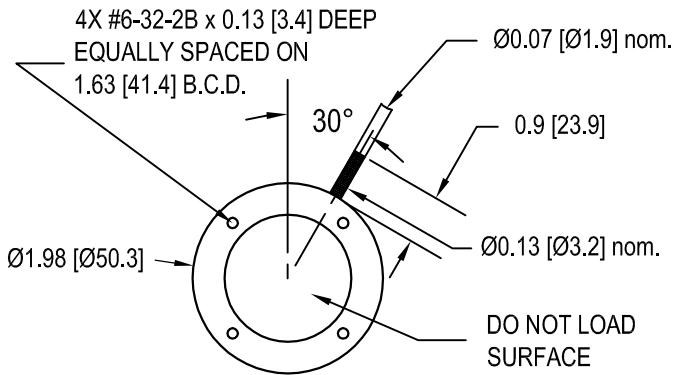
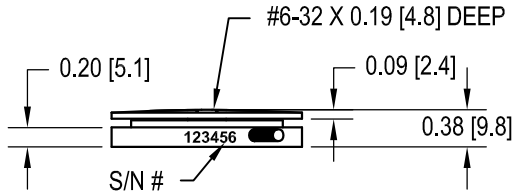
WIRING CODE (CC1)

+Excitation	-Excitation	+Signal	-Signal
RED	BLACK	GREEN	WHITE
1	4	2	3



4 PIN LEMO RECEPTACLE PLUG PHG.OB.304.CLLD

SHOWN WITH MOUNTING PLATE



MODEL LAU200 INCLUDES (ONE OF EACH) TOTAL WEIGHT 2 lb [0.9 Kg]

ITEM#MCP00180 - MOUNTING PLATE  
100 KOHM SHUNT CAL. CARRYING CASE AND  
ITEM#FSH00173 - (mating connector and 10 ft cable)

## SPECIFICATIONS:

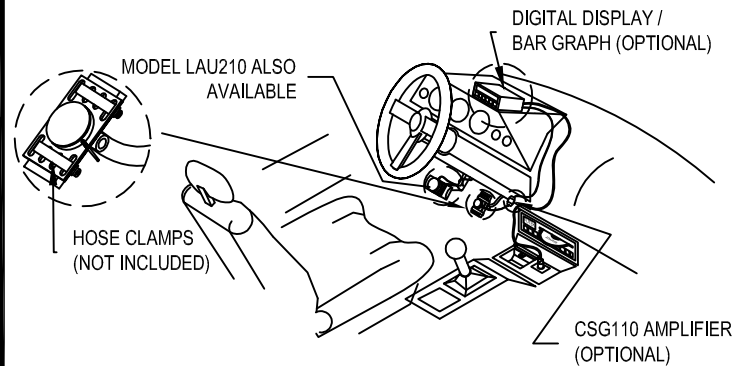
RATED OUTPUT	2 mV/V nom.
SAFE OVERLOAD	150% of R.O.
ZERO BALANCE	±1% of R.O.
EXCITATION (VDC OR VAC)	20 MAX
BRIDGE RESISTANCE	700 Ω nom.
OFF CENTER LOADING	±3-4% OR BETTER @ 0.625 [15.9] FROM CENTER
NONLINEARITY	±0.2% of R.O.
HYSTERESIS	±0.2% of R.O.
NONREPEATABILITY	±0.2% of R.O.
TEMP. SHIFT ZERO	±0.01% of R.O./°F [0.018% of R.O./°C]
TEMP. SHIFT SPAN	±0.01% of LOAD/°F [0.018% of LOAD/°C]
COMPENSATED TEMP.	60 to 160°F [15 to 72°C]
OPERATING TEMP.	-60 to 200°F [-50 to 93°C]
WEIGHT	6 oz [170 g]
MATERIAL	17-4PH S.S.

ITEM #	CAPACITIES	
	lb	N
FSH00218	10	44.5
FSH00219	25	111
FSH00220	50	222
FSH00221	100	445
FSH00222	300	1334

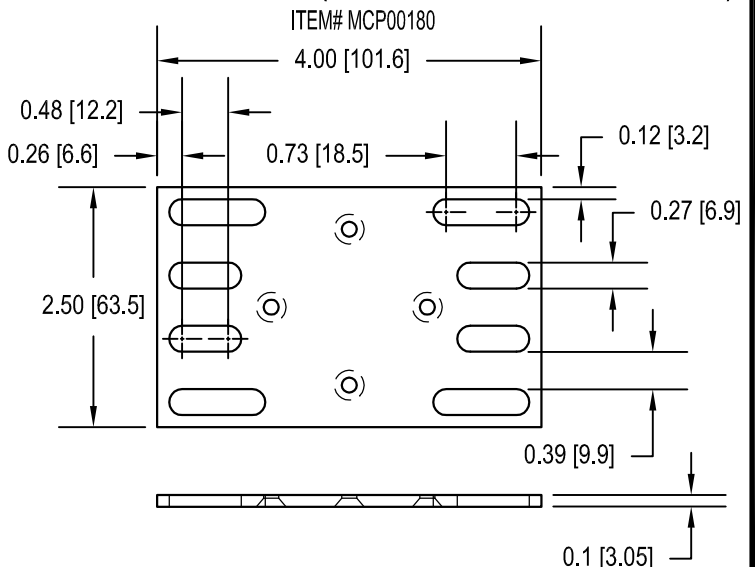
MATERIAL (MOUNTING PLATE). Aluminum Red Anodized after S/N: 395536  
DEFLECTION 0.005 to 0.009 [0.127 to 0.229] nom.  
CABLE: #29 AWG, 4 Conductor, Spiral Shielded Teflon Cable  
12 in (0.3 m) Long with 4 Pin LEMO Receptacle (EGG.OB.304.CLL)

ACCESSORIES AND RELATED INSTRUMENTS AVAILABLE  
5 pt. COMPRESSION; 100 KΩ SHUNT CAL VALUE  
CALIBRATION TEST EXCITATION 10 VDC  
CALIBRATION (STD)

## TYPICAL APPLICATION



## MOUNTING PLATE (Aluminum, Clear Anodized)



**FUTEK**  
ADVANCED SENSOR TECHNOLOGY, INC.

This drawing is submitted solely for the information and exclusive use of the original addressee. It is not to be divulged in whole or in part, by any firm or individual without written permission from FUTEK

CAGE CODE # 1X8M6

10 THOMAS  
IRVINE, CA 92618 USA  
1-800-23-FUTEK (38835)

INTERNET:  
<http://www.futek.com>