

FUTEK MODEL LCM425
STK# FSH01910

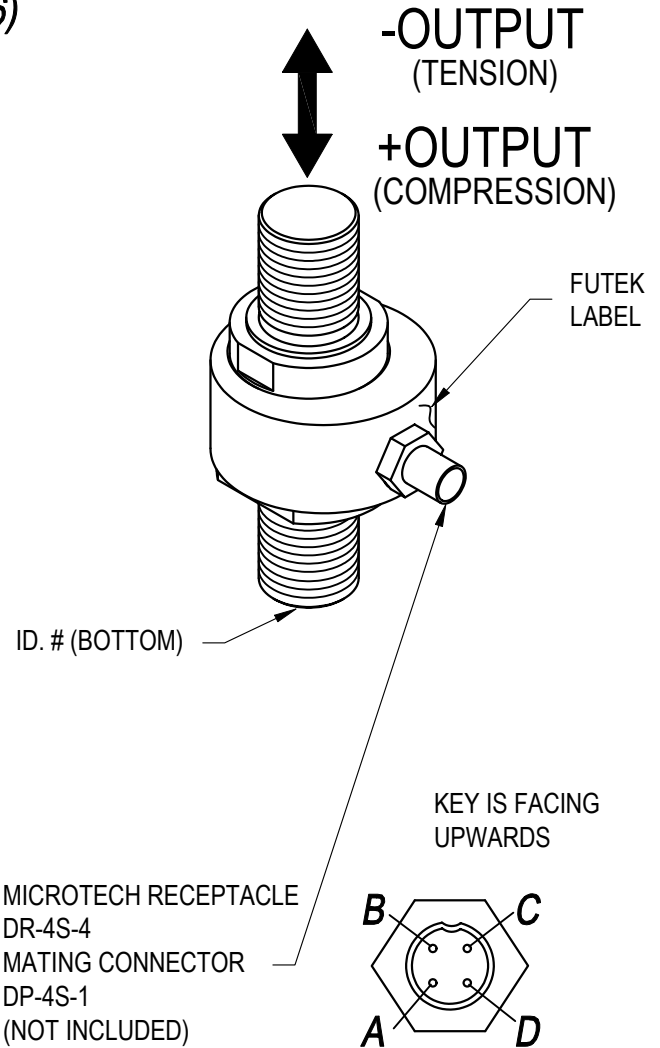
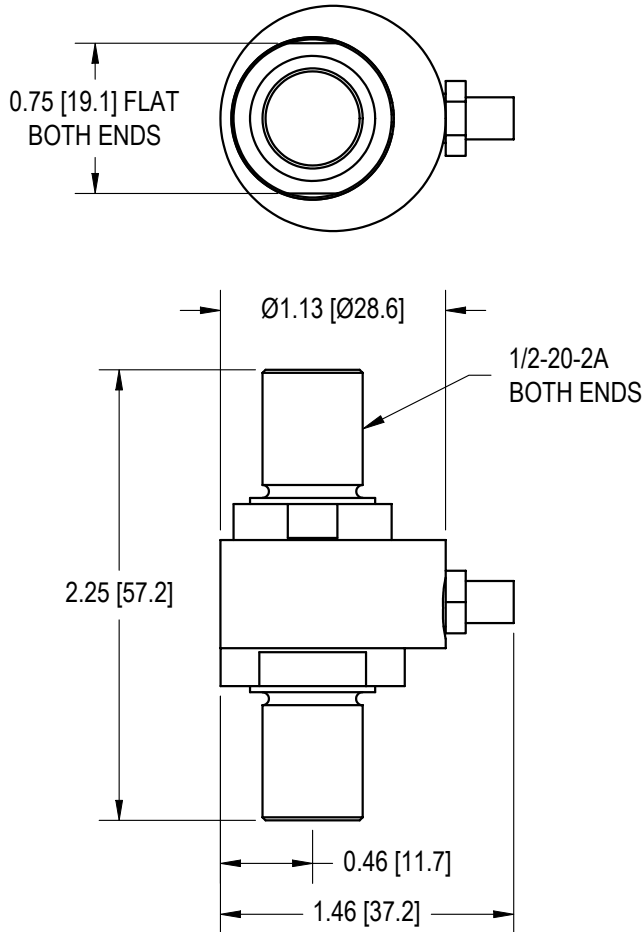
MINIATURE INLINE THREADED TENSION AND COMPRESSION LOAD CELL
(Previously L1656)

Drawing Number: FI1121-A

INCH [mm] | R.O.= Rated Output

WIRING CODE (CC6)

+Excitation	-Excitation	+Signal	-Signal
RED PIN 'A'	BLACK PIN 'B'	GREEN/YELLOW PIN 'C'	WHITE PIN 'D'



SPECIFICATIONS:

CAPACITY	5000 lb [22240 N]
RATED OUTPUT	1 mV/V nom.
SAFE OVERLOAD	150% of R.O.
ZERO BALANCE	±3% of R.O.
EXCITATION (VDC OR VAC)	18 MAX
BRIDGE RESISTANCE	350 Ω nom.
NONLINEARITY	±0.5% of R.O.
HYSTERESIS	±0.5% of R.O.
NONREPEATABILITY	±0.2% of R.O.
TEMP. SHIFT ZERO	±0.01% of R.O./°F [0.018% of R.O./°C]
TEMP. SHIFT SPAN	±0.02% of LOAD/°F [0.036% of LOAD/°C]
COMPENSATED TEMP.	60 to 160°F [15 to 72°C]
OPERATING TEMP.	-60 to 200°F [-50 to 93°C]
MATERIAL (SENSOR)	17-4PH S.S.
MATERIAL (COVER)	WELDED 17-4PH S.S.
WEIGHT	3 oz [85 g]
DEFLECTION	0.0016 [0.04] nom.
CONNECTOR: MICROTECH 4 Pin Receptacle (DR-4S-4)	
ACCESSORIES AND RELATED INSTRUMENTS AVAILABLE	
CALIBRATION (STD)	5 pt. COMPRESSION; 100K Ω SHUNT CAL. VALUE
CALIBRATION (AVAILABLE)	TENSION
CALIBRATION TEST EXCITATION	10 VDC