

FUTEK MODEL LSB300

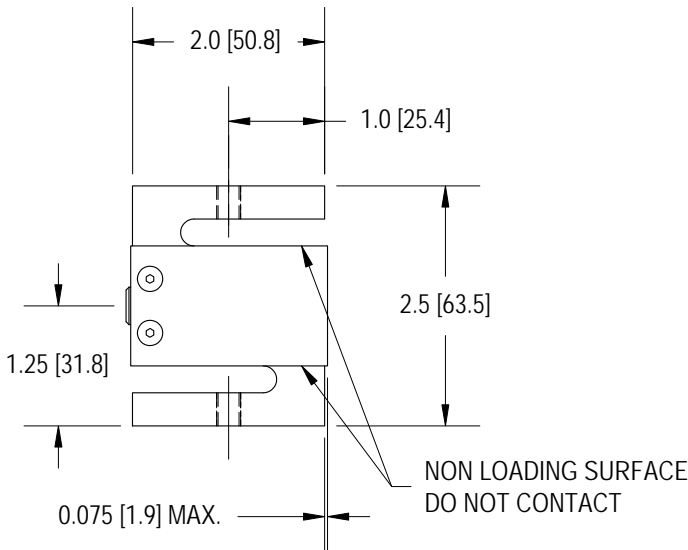
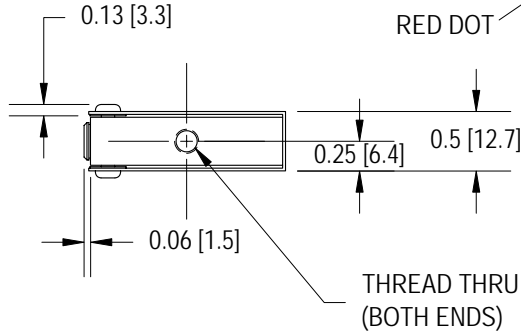
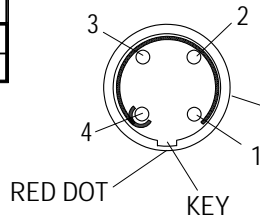
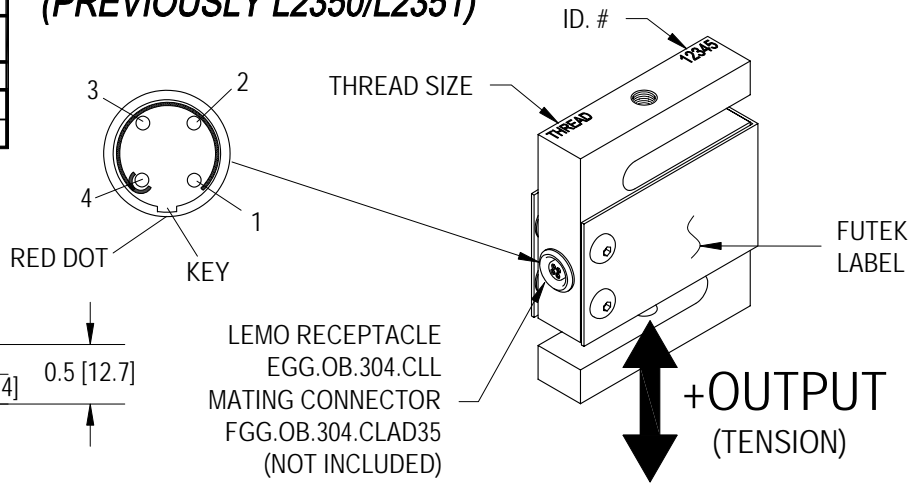
S-BEAM LOAD CELL IN TENSION AND COMPRESSION (PREVIOUSLY L2350/L2351)

Drawing Number: FI1072-A

INCH [mm] | R.O.= Rated Output

WIRING CODE (CC4)

+Excitation	-Excitation	+Signal	-Signal
1	4	2	3



#28 AWG, 6 Conductor Polyurethane Cable (5ft) Option

WIRING CODE (WC4)			
+Excitation	-Excitation	+Signal	-Signal
RED	BLACK	GREEN	WHITE
+Sense	-Sense	Shield	
ORANGE	BLUE	Grounded	

RETRACTIL PVC CABLE AVAILABLE, CONTACT FACTORY

SPECIFICATIONS:

RATED OUTPUT	2 mV/V nom.
SAFE OVERLOAD	150% of R.O.
ZERO BALANCE	±1% of R.O.
EXCITATION (VDC OR VAC)	20 MAX
BRIDGE RESISTANCE	1000 Ω nom.
NONLINEARITY	±0.05% of R.O.
HYSTERESIS	±0.05% of R.O.
NONREPEATABILITY	±0.05% of R.O.
CREEP	±0.025% of LOAD
TEMP. SHIFT ZERO	±0.001% of R.O./°F [0.0018% of R.O./°C]
TEMP. SHIFT SPAN	±0.0008% of LOAD/°F [0.0014% of LOAD/°C]
COMPENSATED TEMP.	60 to 160°F [15 to 72°C]
OPERATING TEMP.	-60 to 200°F [-50 to 93°C]
WEIGHT	5 oz [142 g]
MATERIAL	ANODIZED ALUMINUM
DEFLECTION	0.003 to 0.010 [0.08 to 0.25] nom.
CONNECTOR: 4 Pin LEMO Receptacle (EGG.OB.304.CLL)	
ACCESSORIES AND RELATED INSTRUMENTS	
CALIBRATION (STD)	5 pt TENSION; 150K Ω SHUNT CAL. VALUE
CALIBRATION (AVAILABLE)	COMPRESSION
CALIBRATION TEST EXCITATION	10 VDC

STK#	CAPACITY lb	N	THREAD	CONNECTOR LEMO	CABLE
FSH00957	25	111	1/4-28	X	X
FSH02074			M6 X 1	X	X
FSH00956				X	X
FSH02073	50	222	1/4-28	X	X
FSH00959			M6 X 1	X	X
FSH02075				X	X
FSH00958	100	445	1/4-28	X	X
FSH01589			M6 X 1	X	X
FSH00961				X	X
FSH02076	200	890	1/4-28	X	X
FSH00960			M10 X 1.5	X	X
FSH01504				X	X
FSH00963	300	1334	1/4-28	X	X
FSH02077			M10 X 1.5	X	X
FSH00962				X	X
FSH01590			1/4-28	X	X
FSH00965			M10 X 1.5	X	X
FSH02078				X	X
FSH00964				X	X
FSH02079				X	X

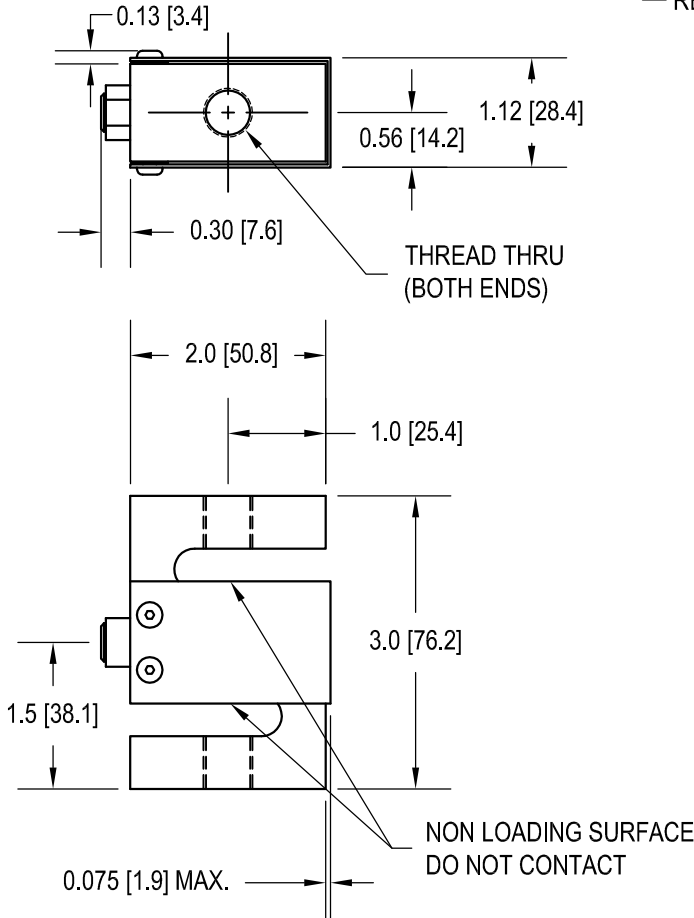
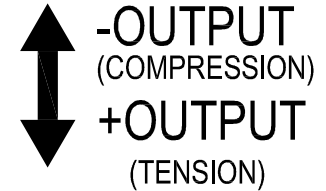
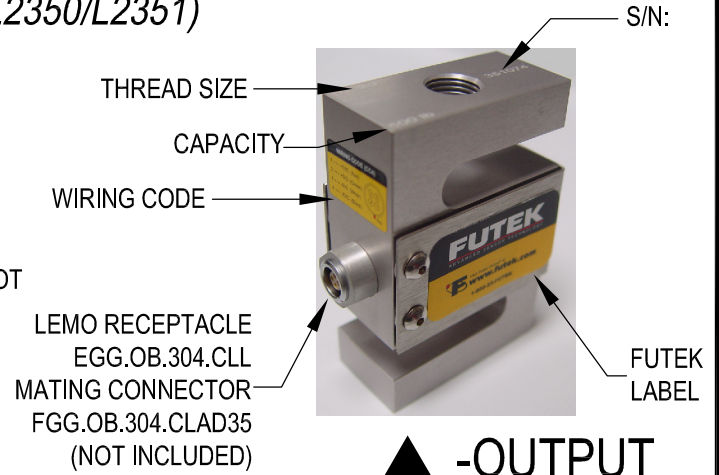
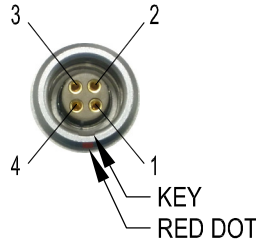
FUTEK MODEL LSB350

S-BEAM LOAD CELL IN TENSION AND COMPRESSION (PREVIOUSLY L2350/L2351)

Drawing Number: FI1073-A

INCH [mm] | R.O.= Rated Output

CONNECTOR CODE (CC4)			
+Excitation	-Excitation	+Signal	-Signal
PIN 1	PIN 4	PIN 2	PIN 3



#28 AWG, 6 Conductor PU Cable (5ft) Option

WIRING CODE (WC4)			
+Excitation	-Excitation	+Signal	-Signal
RED	BLACK	GREEN	WHITE
+Sense	-Sense	Shield	
ORANGE	BLUE	Grounded	

RETRACTILE PVC CABLE AVAILABLE, CONTACT FACTORY

SPECIFICATIONS:

RATED OUTPUT	2 mV/V nom.
SAFE OVERLOAD	150% of R.O.
ZERO BALANCE	±1% of R.O.
EXCITATION (VDC OR VAC)	20 MAX
BRIDGE RESISTANCE	1000 Ω nom.
NONLINEARITY	±0.1% of R.O.
HYSTERESIS	±0.05% of R.O.
NONREPEATABILITY	±0.05% of R.O.
CREEP	±0.025% of LOAD
TEMP. SHIFT ZERO	±0.001% of R.O./°F [0.0018% of R.O./°C]
TEMP. SHIFT SPAN	±0.0008% of LOAD/°F [0.0014% of LOAD/°C]
COMPENSATED TEMP.	60 to 160°F [15 to 72°C]
OPERATING TEMP.	-60 to 200°F [-50 to 93°C]
WEIGHT	7.5 oz [212 g] (2000 lb - 18 oz [510 g])
MATERIAL	ANODIZED ALUMINUM (2000 lb - 17-4PH S.S.)
DEFLECTION	0.003 to 0.010 [0.08 to 0.25] nom.
CONNECTOR:	4 Pin LEMO Receptacle (EGG.OB.304.CLL)
ACCESSORIES AND RELATED INSTRUMENTS	
CALIBRATION (STD)	5 pt TENSION; 150K Ω SHUNT CAL. VALUE
CALIBRATION (AVAILABLE)	COMPRESSION
CALIBRATION TEST EXCITATION	10 VDC

ITEM#	CAPACITY lb	N	THREAD	CONNECTOR LEMO	CABLE
FSH00967	500	2224	1/2-20	X	
FSH02072					X
FSH00966			M12 X 1.75	X	
FSH01591					X
FSH00971	1000	4448	1/2-20	X	
FSH02070					X
FSH00970			M12 X 1.75	X	
FSH01592					X
FSH00973	2000	8896	1/2-20	X	
FSH02068					X
FSH00972			M12 X 1.75	X	
FSH01593					X

FUTEK MODEL LSB400

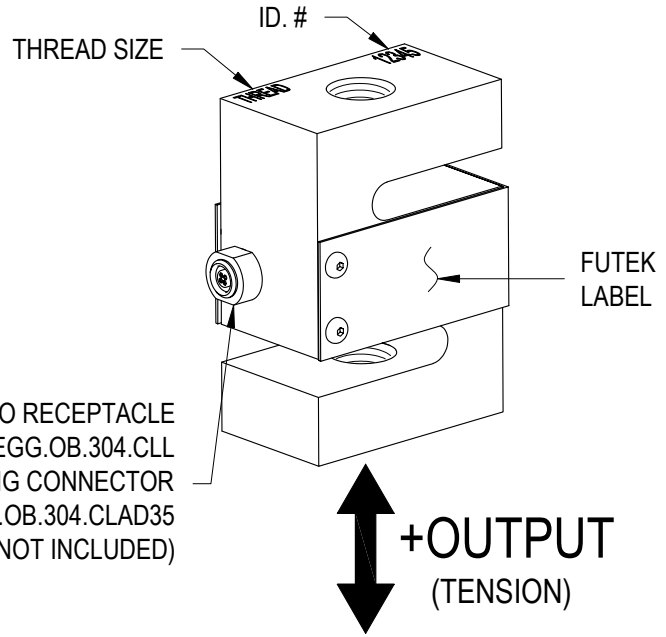
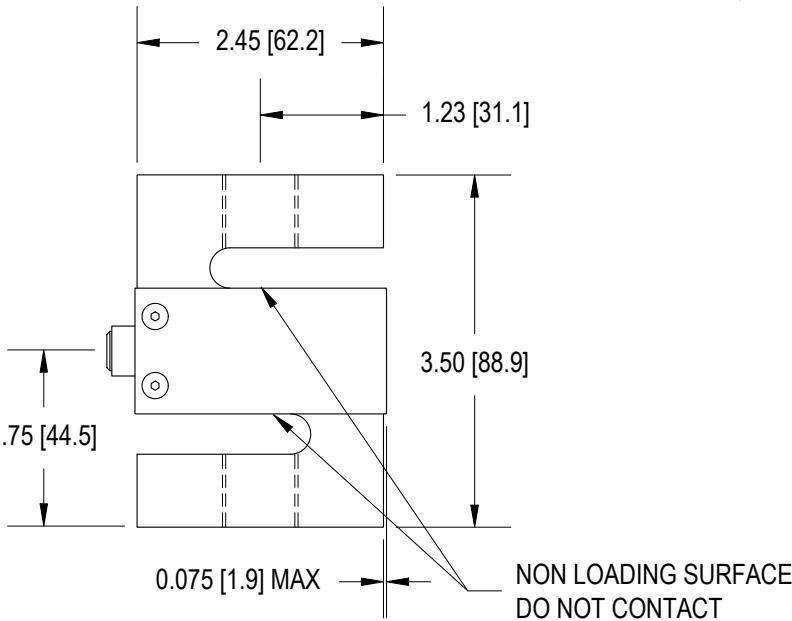
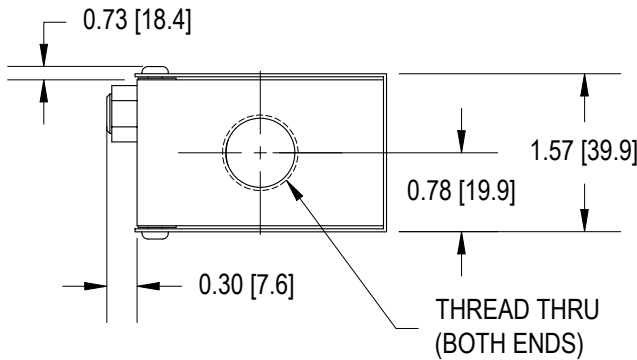
S-BEAM LOAD CELL IN TENSION AND COMPRESSION (PREVIOUSLY L2350/L2351)

Drawing Number: FI1074

INCH [mm] | R.O.= Rated Output

WIRING CODE (CC4)

+Excitation	-Excitation	+Signal	-Signal
RED	BLACK	GREEN	WHITE



#28 AWG, 6 Conductor PU Cable (5ft) Option

WIRING CODE (WC4)			
+Excitation	-Excitation	+Signal	-Signal
RED	BLACK	GREEN	WHITE
+Sense	-Sense	Shield	
ORANGE	BLUE	Grounded	

RETRACTIL PVC CABLE AVAILABLE, CONTACT FACTORY

SPECIFICATIONS:

RATED OUTPUT	2 mV/V <i>nom.</i>
SAFE OVERLOAD	150% of R.O.
ZERO BALANCE	±1% of R.O.
EXCITATION (VDC OR VAC)	20 MAX
BRIDGE RESISTANCE	350 Ω <i>nom.</i>
NONLINEARITY	±0.05% of R.O.
HYSTERESIS	±0.05% of R.O.
NONREPEATABILITY	±0.05% of R.O.
CREEP	±0.025% of LOAD
TEMP. SHIFT ZERO	±0.001% of R.O./°F [0.0018% of R.O./°C]
TEMP. SHIFT SPAN	±0.0008% of LOAD/°F [0.0014% of LOAD/°C]
COMPENSATED TEMP.	60 to 160°F [15 to 72°C]
OPERATING TEMP.	-60 to 200°F [-50 to 93°C]
WEIGHT	53 oz [1500 g]
MATERIAL	17-4PH S.S.
DEFLECTION	0.003 to 0.010 [0.08 to 0.25] <i>nom.</i>
CONNECTOR:	4 Pin LEMO Receptacle (EGG.OB.304.CLL)
ACCESSORIES AND RELATED INSTRUMENTS	
CALIBRATION (STD)	5 pt TENSION; 60.4 KΩ SHUNT CAL. VALUE
CALIBRATION (AVAILABLE)	COMPRESSION
CALIBRATION TEST EXCITATION	10 VDC

STK#	CAPACITY lb	N	THREAD	CONNECTOR LEMO	CABLE
FSH00977	5000	22240	3/4-16	X	X
FSH02064				X	X
FSH00976			M16 X 2	X	X
FSH01594	10000	44480	3/4-16	X	X
FSH00979				X	X
FSH02066			M16 X 2	X	X
FSH00978				X	X
FSH01516					X