

FUTEK MODEL TFF650

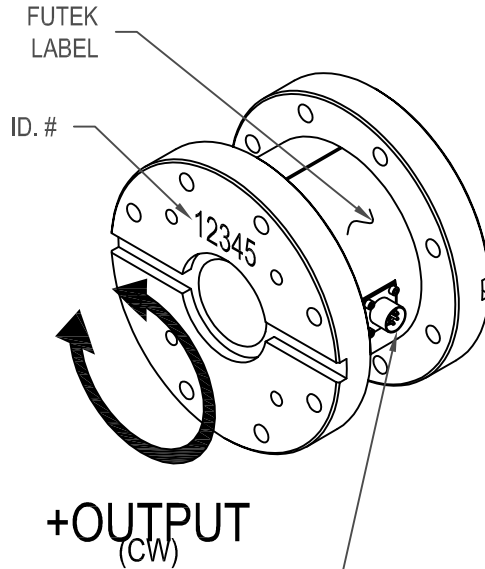
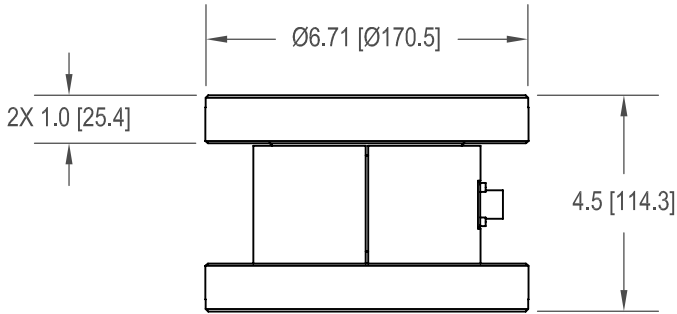
FLANGE TO FLANGE REACTION TORQUE SENSOR (Previously T5400)

Drawing Number: FI1144-A

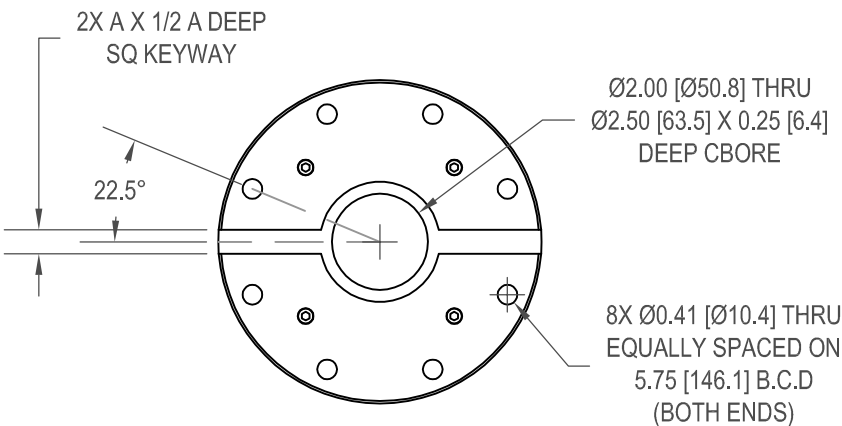
INCH [mm] | R.O.= Rated Output

WIRING CODE (CC1)

+Excitation	-Excitation	+Signal	-Signal
RED PIN 'A'	BLACK PIN 'B'	GREEN PIN 'C'	WHITE PIN 'D'
+Sense	-Sense		
ORANGE PIN 'E'	BLUE PIN 'F'		



BENDIX RECEPTACLE
PT02A-10-6P
MATING CONNECTOR
PT06A-10-6S-SR
(NOT INCLUDED)



SPECIFICATIONS:

RATED OUTPUT	2 mV/V nom.
SAFE OVERLOAD	150% of R.O.
ZERO BALANCE	±1% of R.O.
EXCITATION (VDC OR VAC)	18 MAX
BRIDGE RESISTANCE	350 Ω nom.
NONLINEARITY	±0.5% of R.O.
HYSTERESIS	±0.5% of R.O.
NONREPEATABILITY	±0.2% of R.O.
TEMP. SHIFT ZERO	±0.002% of R.O./°F [0.0036% of R.O./°C]
TEMP. SHIFT SPAN	±0.002% of LOAD/°F [0.0036% of LOAD/°C]
COMPENSATED TEMP.	60 to 160°F [15 to 72°C]
OPERATING TEMP.	-60 to 200°F [-50 to 93°C]
MATERIAL (FLEXURE)	17-4PH S.S.
MATERIAL (COVER)	ALUMINUM
WEIGHT	22 lb [10 kg]
CONNECTOR:	6 Pin BENDIX Receptacle (PT02A-10-6P)
ACCESSORIES AND RELATED INSTRUMENTS AVAILABLE	
CALIBRATION (STD)	5 pt. CW; 60.4KΩ SHUNT CAL. VALUE
CALIBRATION (AVAILABLE)	CCW
CALIBRATION TEST EXCITATION	10 VDC

STK#	CAPACITY		A	TORSIONAL STIFFNESS
	in-lb	Nm		ft-lb/rad
FSH00684	20000	2260	0.500 [12.70]	5.53 X 10 ⁵
FSH00685	50000	5650		1.50 X 10 ⁶
FSH00686	100000	11300	0.625 [15.88]	3.36 X 10 ⁶

*FOR LOWER CAPACITIES REFER TO
TFF400, TSS400, TDD400, TDF400